

TCORX
PROFESSIONAL LINE

INSTRUCTION



SINGLE PULLEY

CSX2000



CABLE CROSSOVER

CSX6000

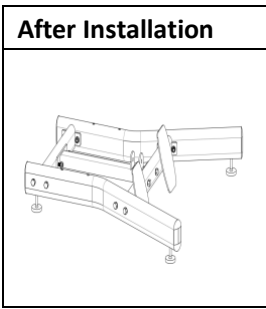


Cod : GRLDTCORXCSX20006000

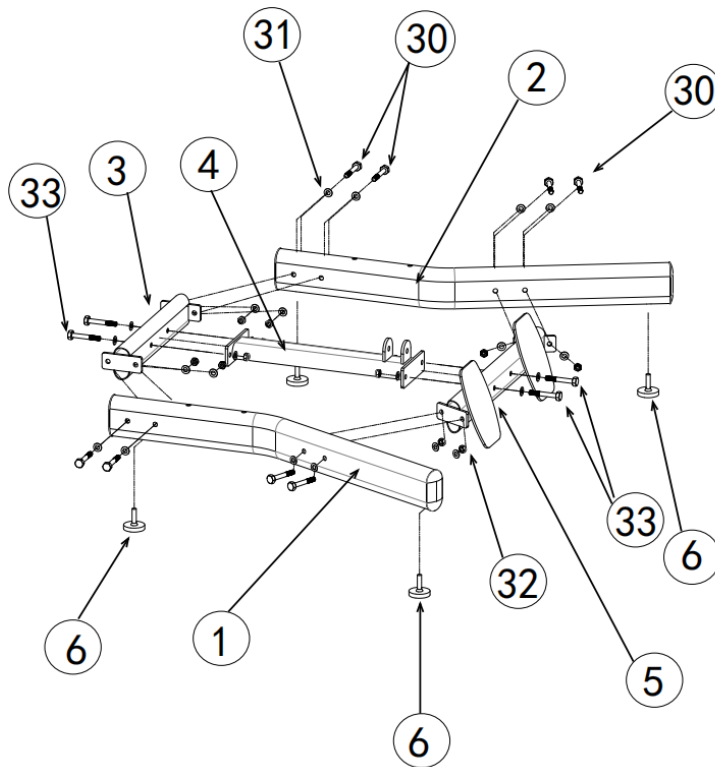
Rev : 01

Ed : 12/22

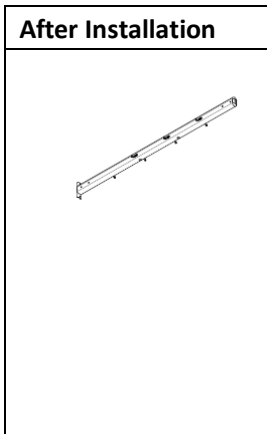
1) Step 1



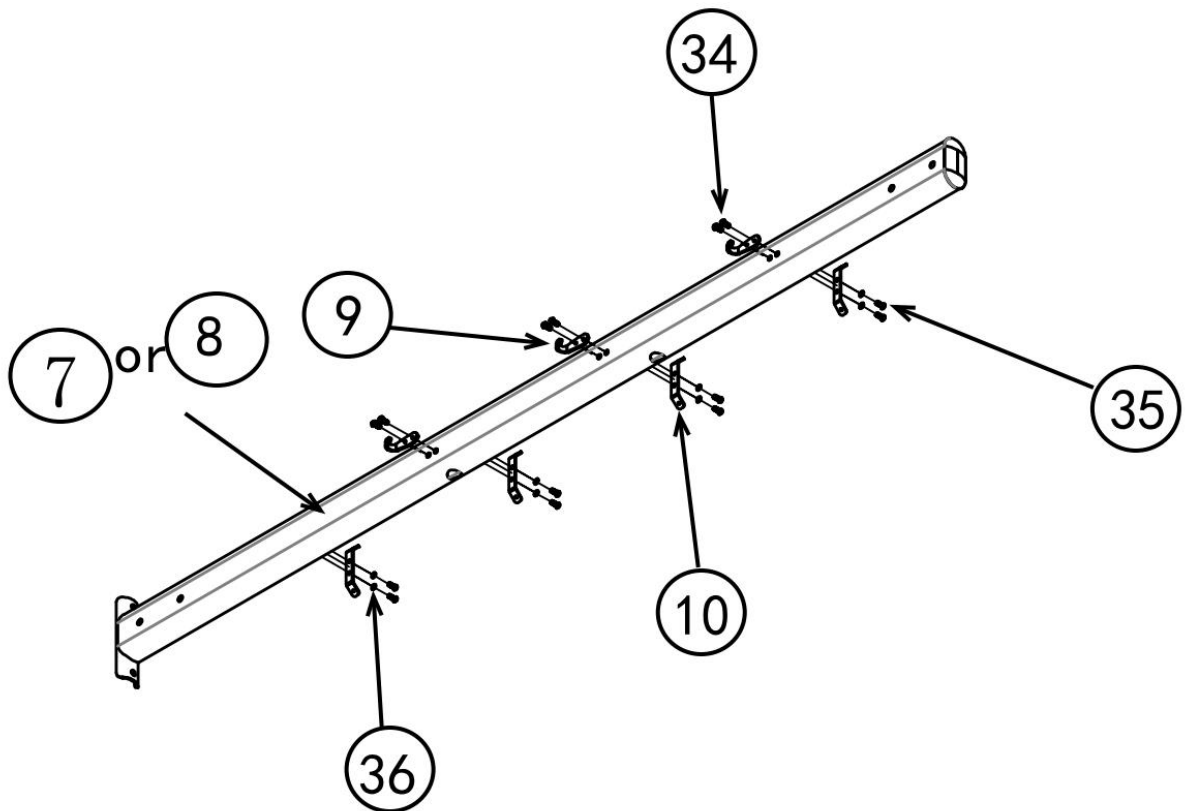
List for this step			
Model	Name	Spec	Qty
1	Base Stabilizer (L)		1
2	Base Stabilizer (R)		1
3	Rear connection		1
4	Medium connection		1
5	Front connection		1
6	Leveling damping pad		4
30	Hex Bolt	M10*70	8
31	Washer	Φ10	24
32	Aircraft Nut	M10	12
33	Hex Bolt	M10*60	4



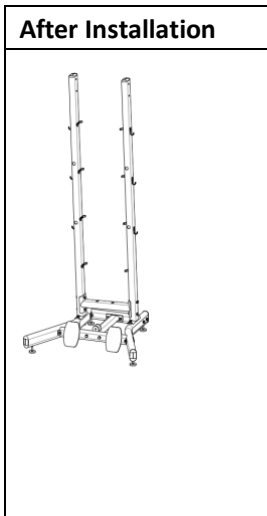
2) Step 2



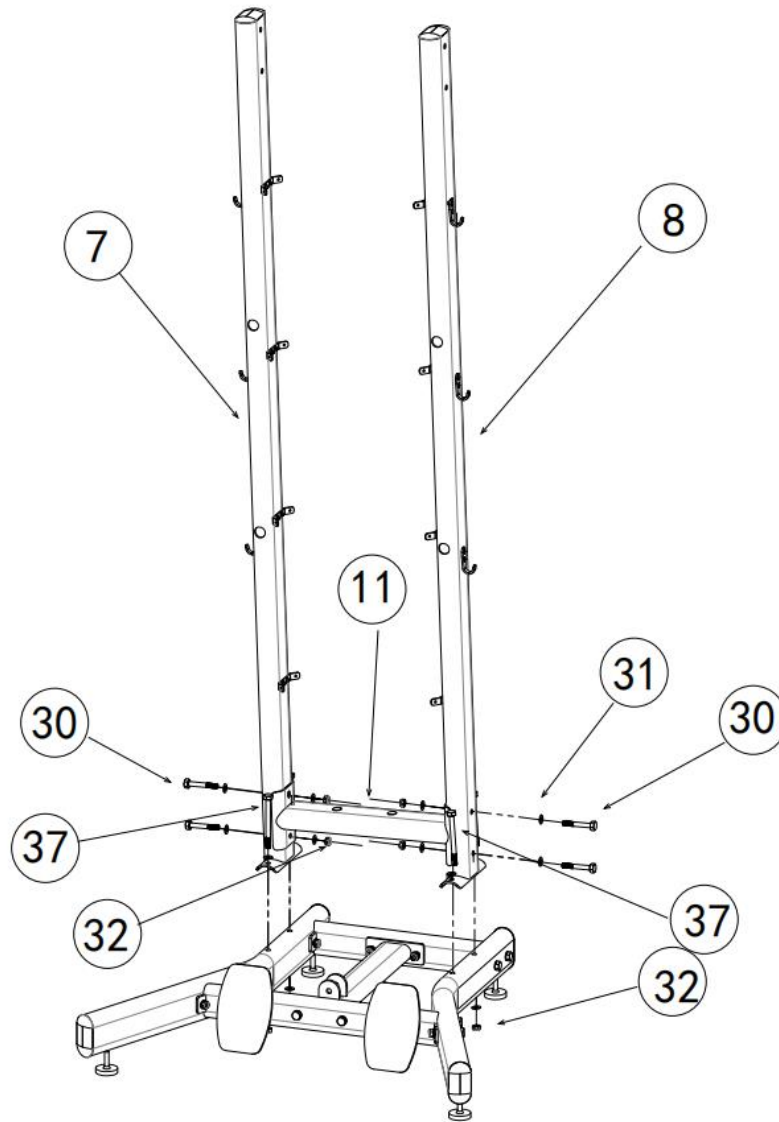
List for this step			
Model	Name	Spec	Qty
7	Upright Support (L)		1
8	Upright Support (R)		1
9	Hook		6
10	Guard plate holder		8
34	Hex cup head bolt	M5*16	12
35	Hex cup head bolt	M6*16	16
36	Washer	Φ6	16



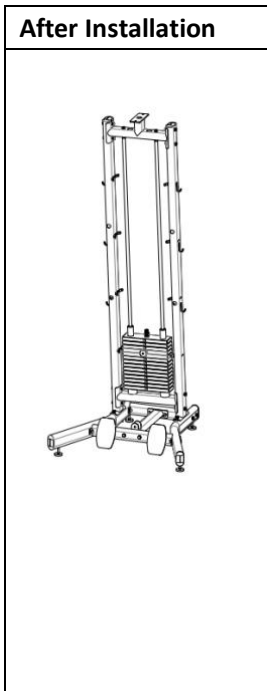
3) Step 3



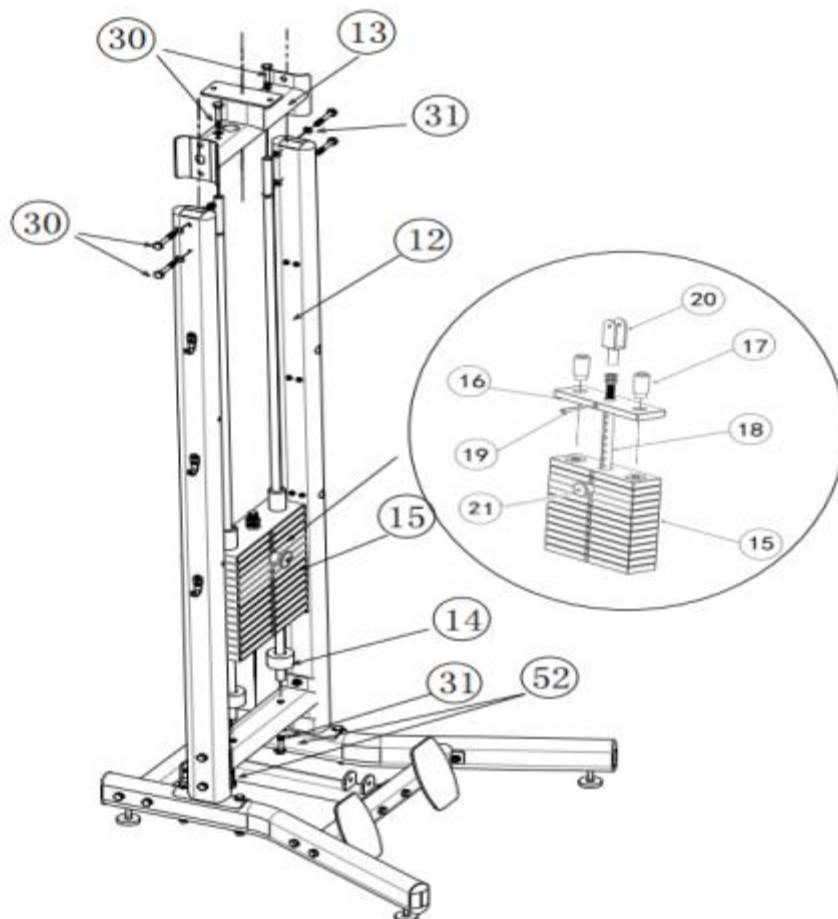
List for this step			
Model	Name	Spec	Qty
7	Upright Support (L)		1
8	Upright Support (R)		1
11	Weight Plate Holder		1
30	Hex Bolt	M10*70	4
31	Washer	Φ10	16
32	Aircraft Nut	M10	8
37	Hex Bolt	M10*120	4



4) Step 4

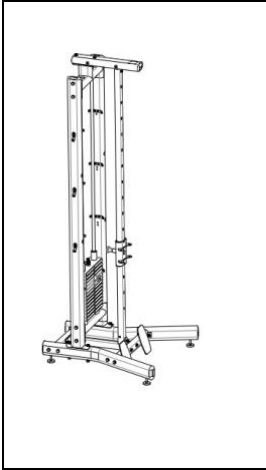


List for this step			
Model	Name	Spec	Qty
12	Guide Rod		2
13	Top connecting tube		1
14	Shock pad		2
15	Weight set		19
16	Top Weight		1
17	Guide sleeve		2
18	Selector rod		1
19	Open elastic pin		1
20	150 Pulley Bracket		1
21	Selector pin		1
30	Hex Bolt	M10*70	6
31	Washer	Φ10	14
32	Aircraft Nut	M10	4
52	Hex Bolt	M10*20	2



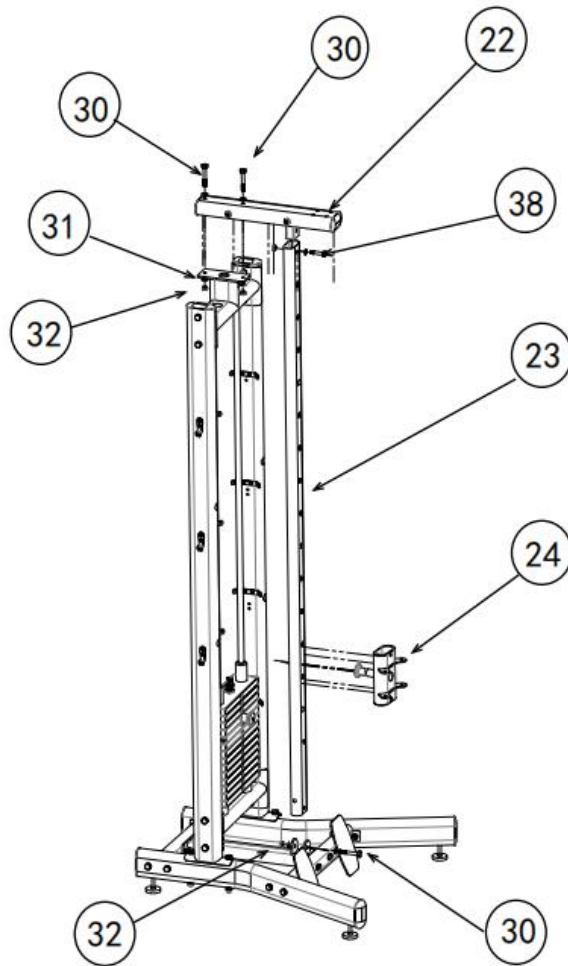
5) Step 5

After Installation

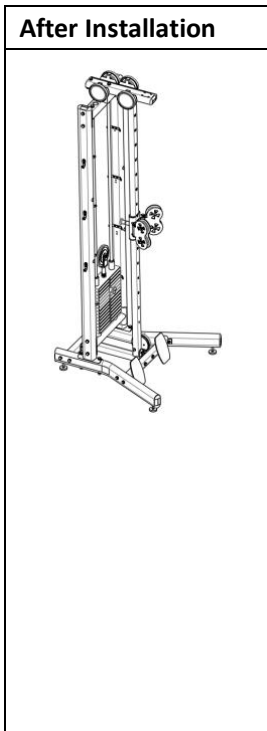


List for this step

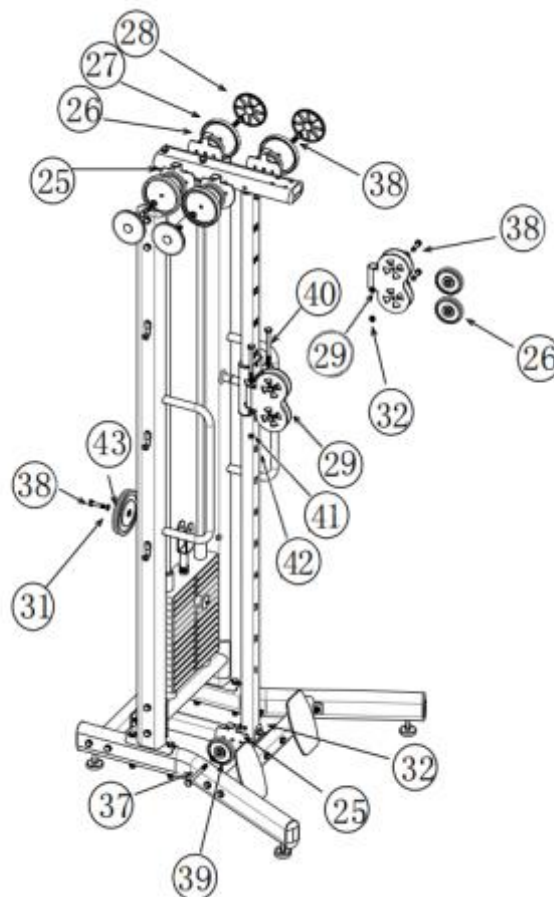
Model	Name	Spec	Qty
22	Upper connection		1
23	Adjusting tube set		1
24	pulley support frame set		1
30	Hex Bolt	M10*70	3
31	Washer	Φ10	8
32	Aircraft Nut	M10	4
38	Hex Bolt	M10*50	1



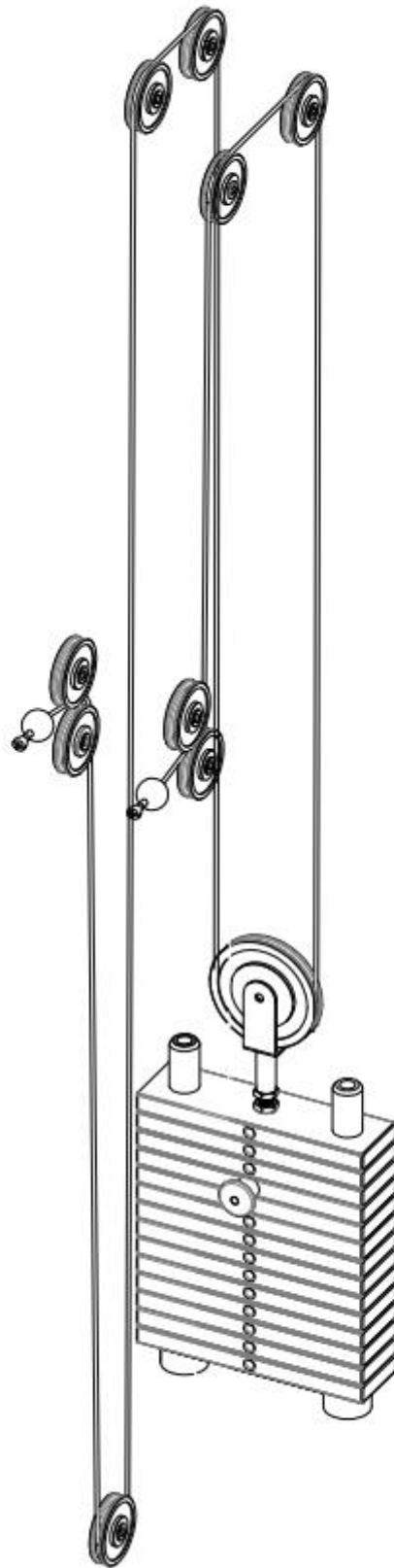
6) Step 6



List for this step			
Model	Name	Spec	Qty
25	Pulley Bracket		5
26	Pulley	Φ110	8
27	Pulley Cover		4
28	Pulley Cover 2		4
29	Double Floating Pulley Bracket		2
43	Pulley	Φ150	1
38	Hex Bolt	M10*50	9
31	Washer	Φ10	16
32	Aircraft Nut	M10	6
39	Pulley	Φ90	1
40	Hex Bolt	M12*110	2
41	Washer	Φ12	4
42	Aircraft Nut	M12	2
37	Hex Bolt	M10*120	1

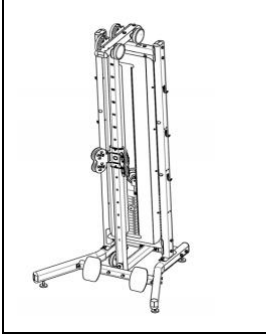


7) Step 7



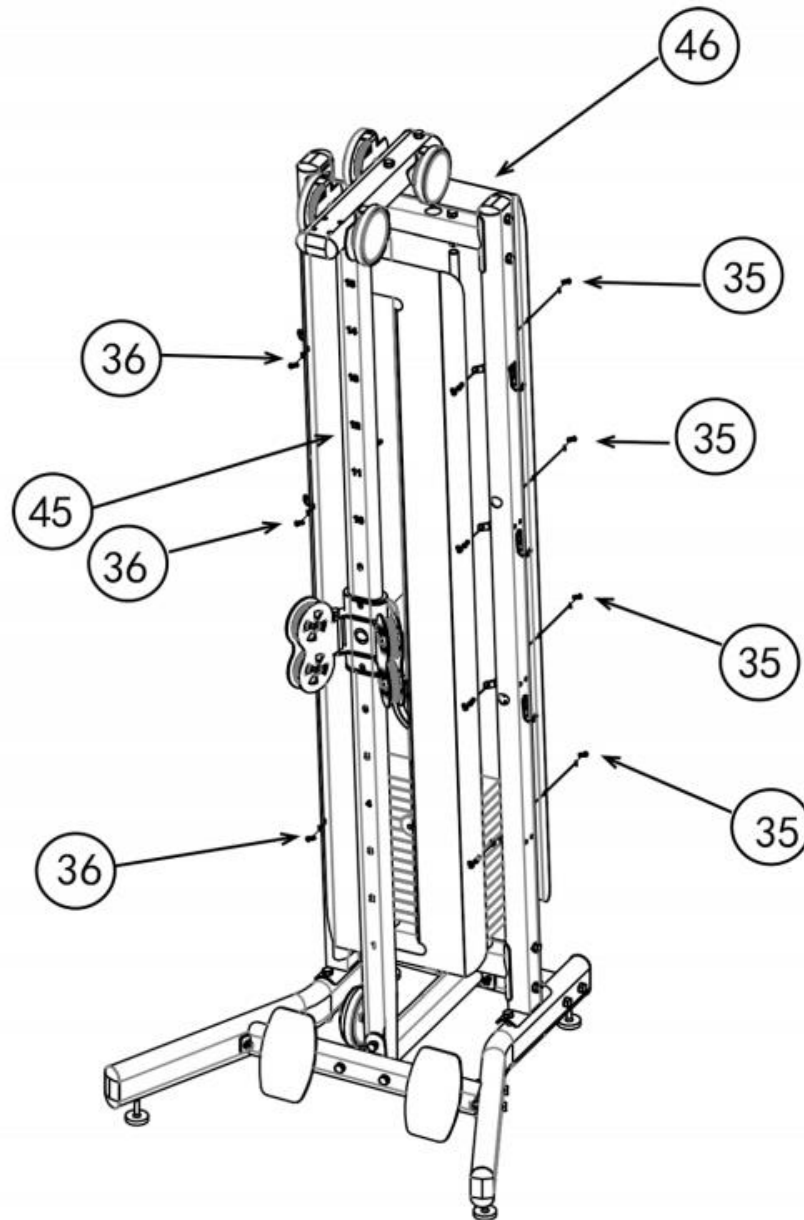
8) Step 8

After Installation

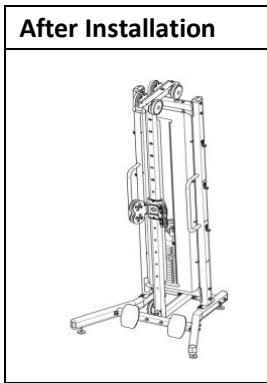


List for this step

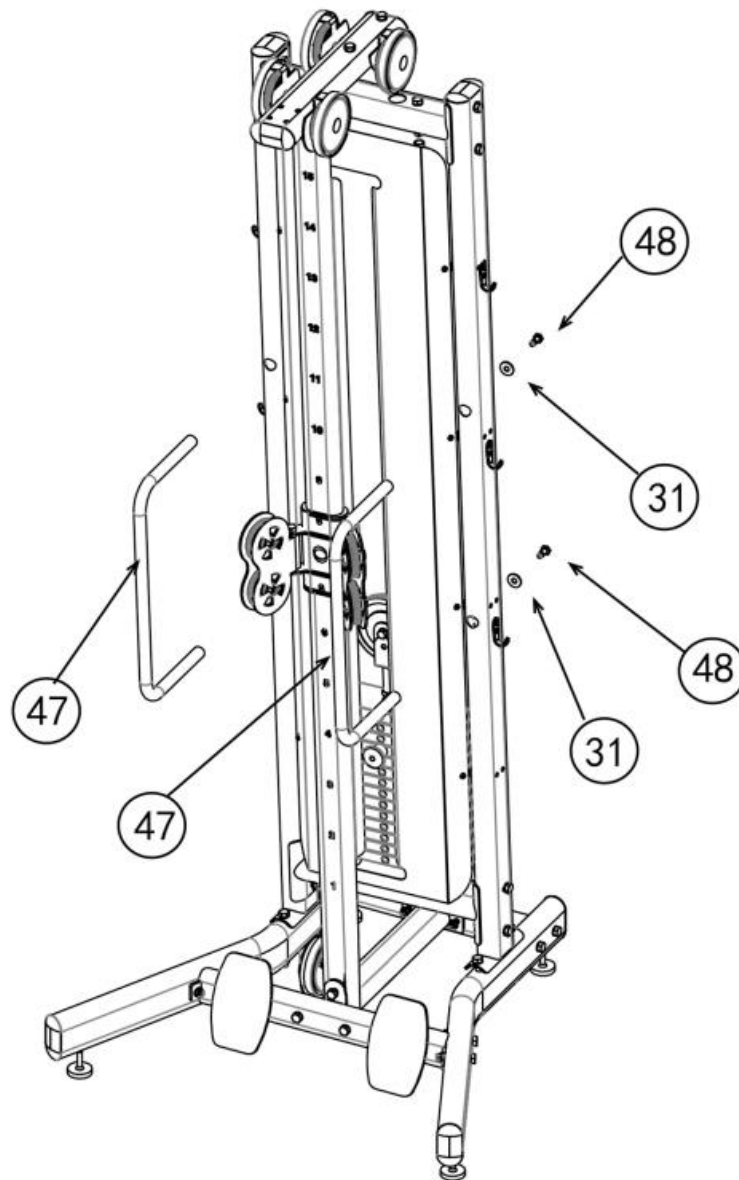
Model	Name	Spec	Qty
45	Front protecting cover		1
46	Back protecting cover		1
35	Hex cup head bolt	M6*16	16



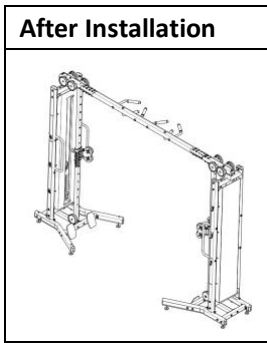
9) Step 9



List for this step			
Model	Name	Spec	Qty
47	Handrail		2
48	Hex Bolt	M10*25	4
31	Washer	Φ 10	4

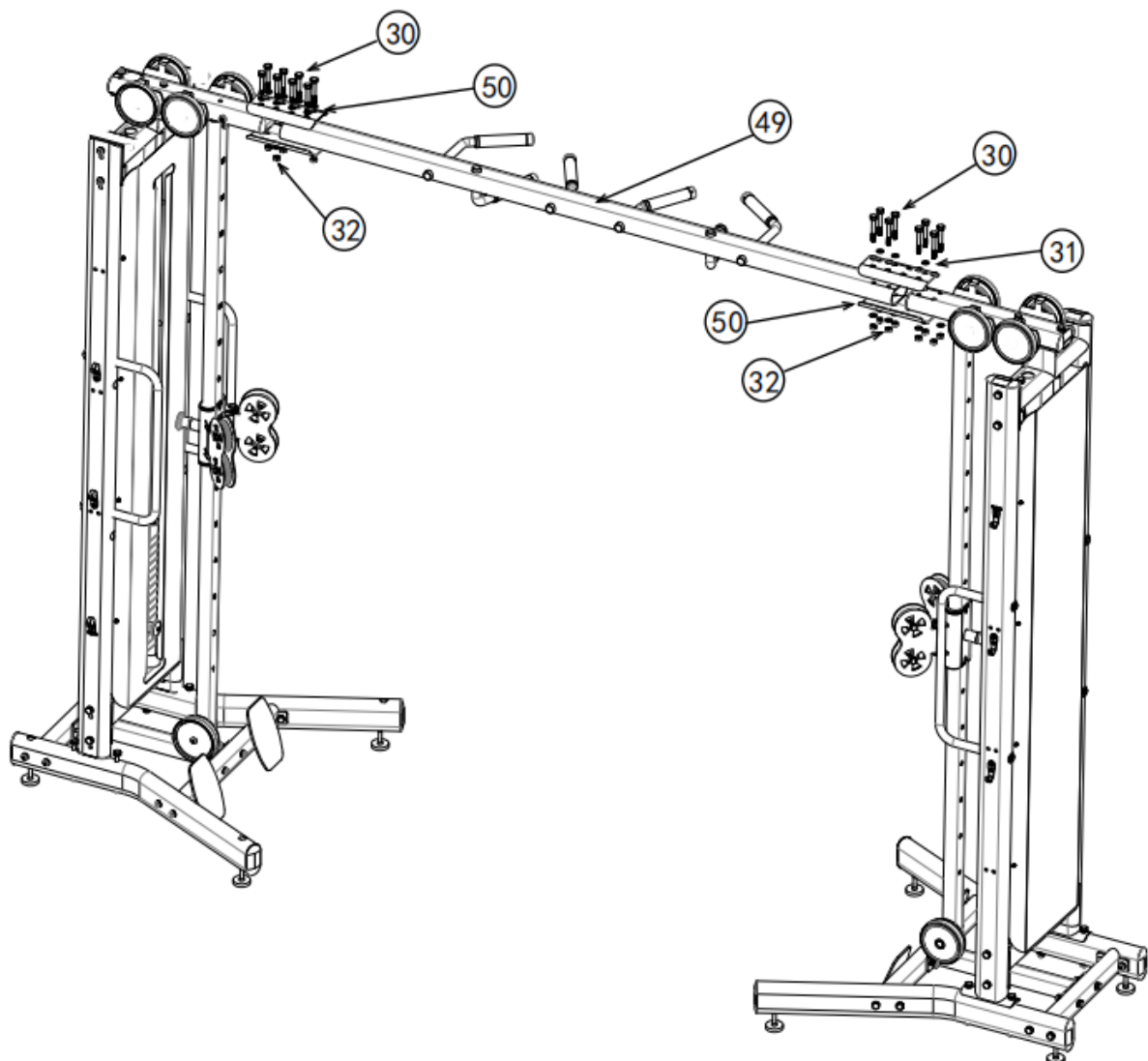


10) Step 10



List for this step

Model	Name	Spec	Qty
49	Cross-bar		1
50	U-shaped plate		4
30	Hex Bolt	M10*70	16
31	Washer	Φ 10	32
32	Aircraft Nut	M10	16



This equipment is for indoor use, in order to improve your cardio and muscles. It trains your chest muscles and others.

You can choose the stack weight in order to get the weights or resistance you need.

You can read the placards in order to use the equipment properly.

The equipment is designed and produced according to human engineering, which can assure the safety and durability.

The equipment is designed and produced according to human engineering, strictly under GB17498.1-2008 GB17498.2-2008 standard.

The equipment is made of steel and of powder coating process, which assure the safety and durability.

04/Product specification

Name	Cable Crossover	Model	
Assembly area		Weight stack	70Kg each side
NW		Grade	S
Category: type S ; professional/commercial use		type H; home use	

05/Maintenance

1. Please check all the screws regularly.
2. Keep the equipment clean. Do not use strong solvent.
3. If weighted spare parts abrasion or broken, please change it at once.

06/Troubleshooting guides

07/Warranty

1. Warranty scope

It adopts to the situation that users use the equipment properly. Non-negotiable.

2. Warranty 1 year starts from the equipment leaving our factory

The followings are inapplicable for the warranty

- (1) Misuse the equipment, accidents or modify without notification
- (2) Breakdown of those who improperly adjust the weight stack pin.
- (3) Breakdown of those who improperly maintain.
- (4) Breakdown of other improper operations.



GARLANDO SPA
Via Regione Piemonte, 32 - Zona Industriale D1
15068 - Pozzolo Formigaro (AL) - Italy
www.toorx.it - info@toorx.it