

TOORX
PROFESSIONAL LINE

INSTRUCTION



BRXR 9000



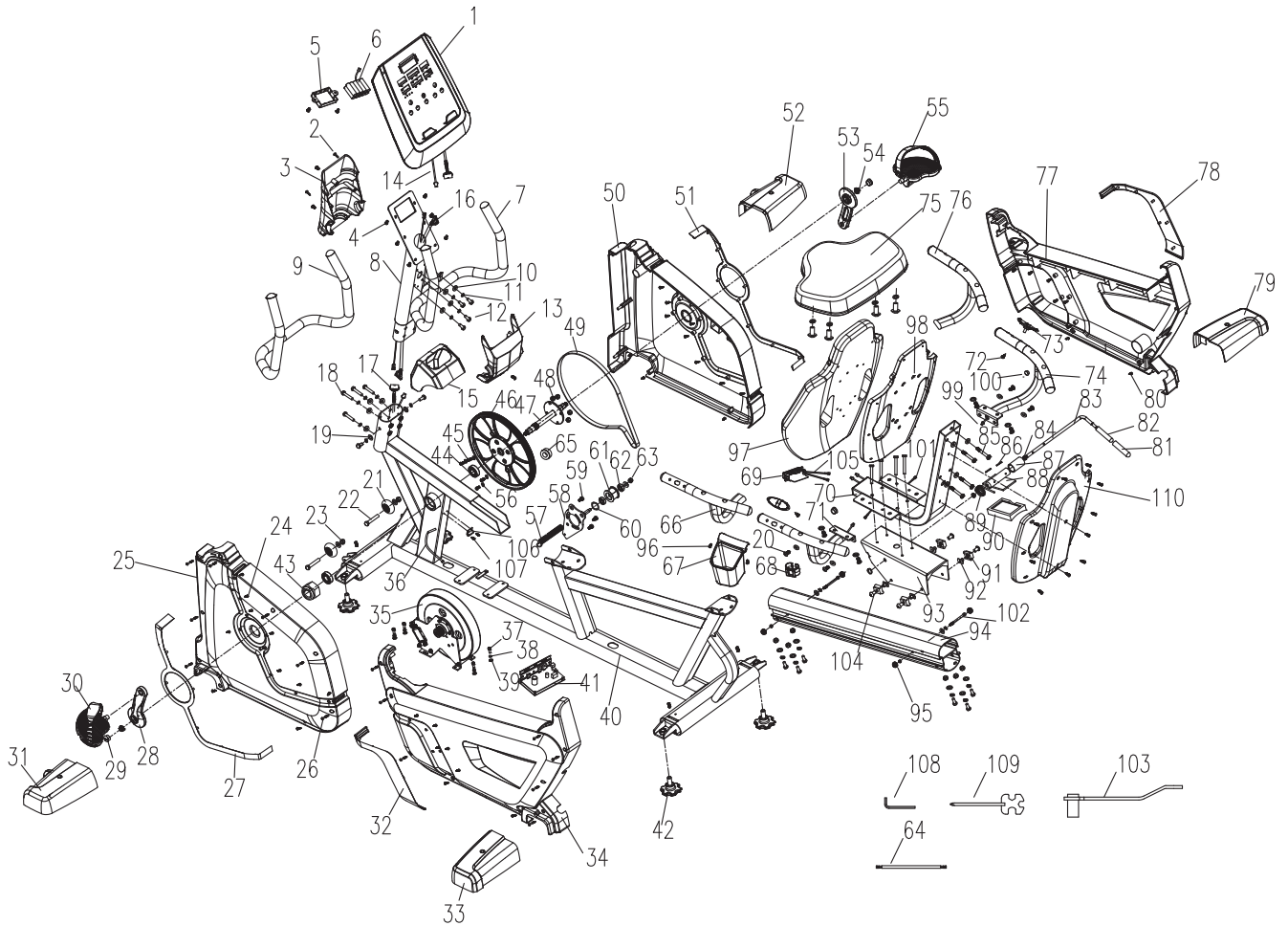
Cod : GRLDTOORXBRXR9000

Rev : 00

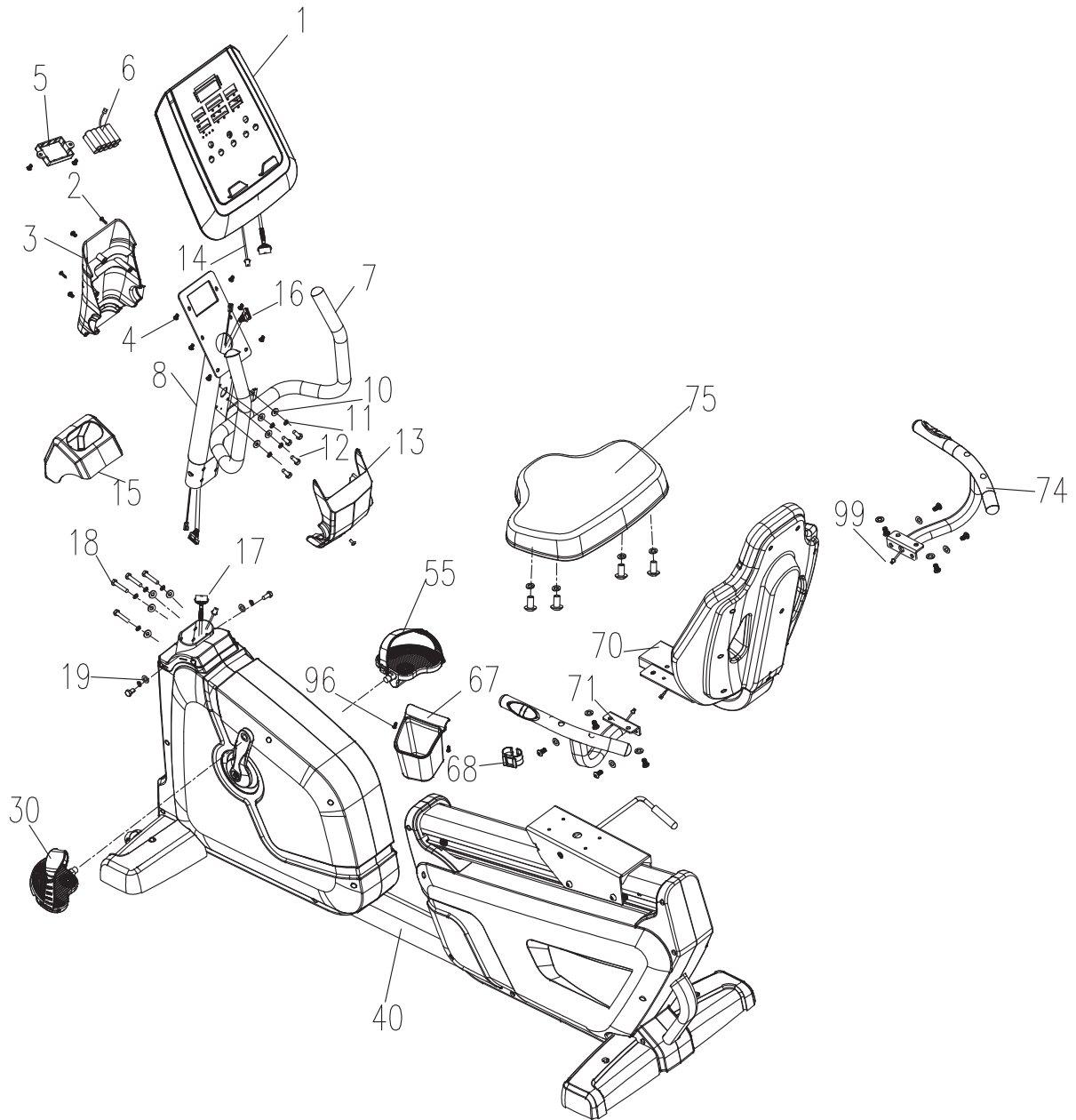
Ed : 04/18



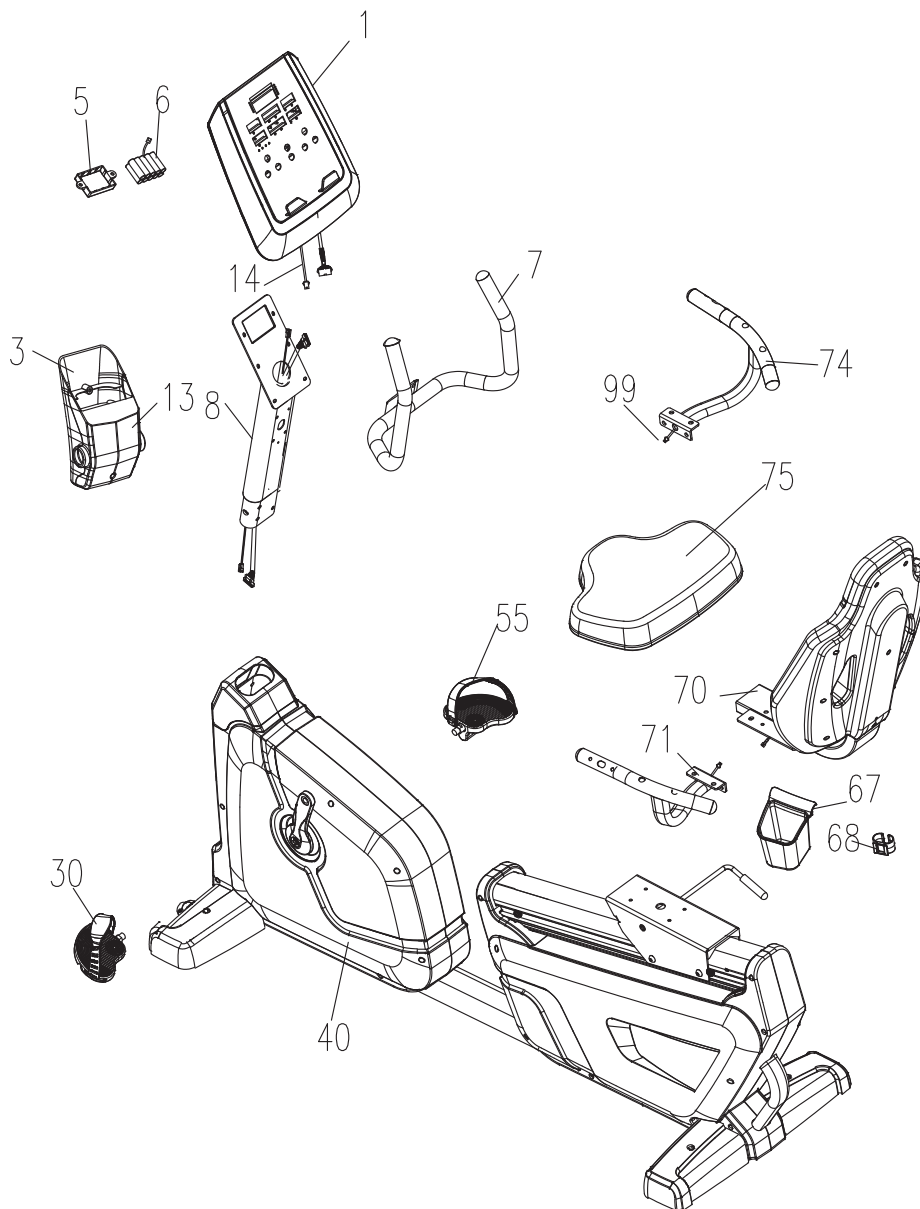
Big explosive view



Small explosive view

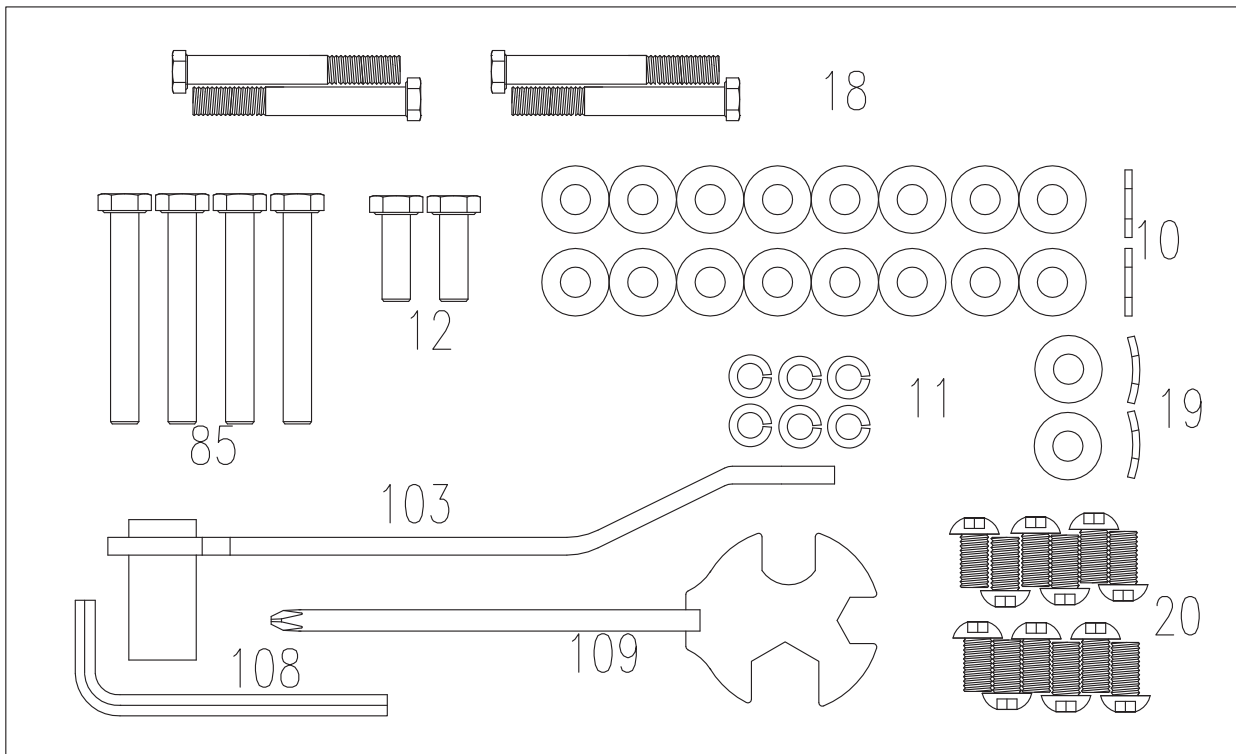


Assemble parts



| Part No. | Description | Q'ty | Part No. | Description | Q'ty |
|----------|----------------|------|----------|---------------|------|
| 1 | Computer | 1 | 7 | Handlebar | 1 |
| 3-13 | Computer tray | 1 | 71 | Handle-L | 1 |
| 8 | Handle tube | 1 | 74 | Handle-R | 1 |
| 30 | Pedal-L | 1 | 70 | Back | 1 |
| 55 | Pedal-R | 1 | 75 | Seat | 1 |
| 67 | Bottle cage | 1 | 5 | Battery cover | 1 |
| 68 | Permanent seat | 1 | 6 | Battery | 1 |
| 40 | Frame | 1 | | | |

TOOL



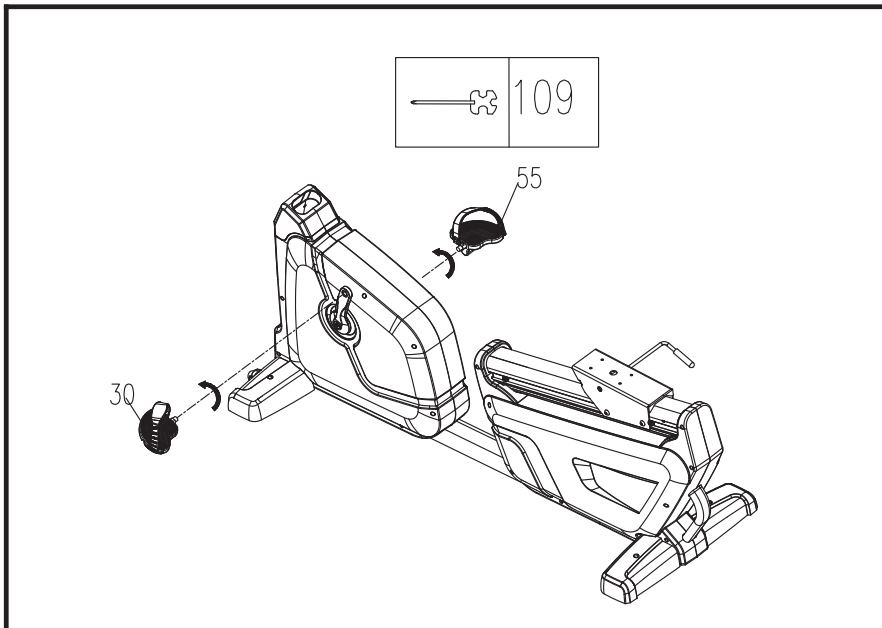
| Part No. | Description | Q'ty |
|----------|--|------|
| 12 | Screw M8*25 | 2 |
| 18 | Screw M8*60*S15 | 4 |
| 20 | Screw M8*20 | 12 |
| 85 | Screw M8*50 | 4 |
| 19 | Semi-circle washer $\Phi 8*\Phi 19*2T$ | 2 |
| 11 | Spring washer $\Phi 8*\Phi 13.5*2.5T$ | 6 |
| 10 | Flat washer $\Phi 8*\Phi 19*2T$ | 16 |
| 103 | VE730 wrench | 1 |
| 109 | Harpoon wrench | 1 |
| 108 | Hex wrench | 1 |

STAND TOOLS

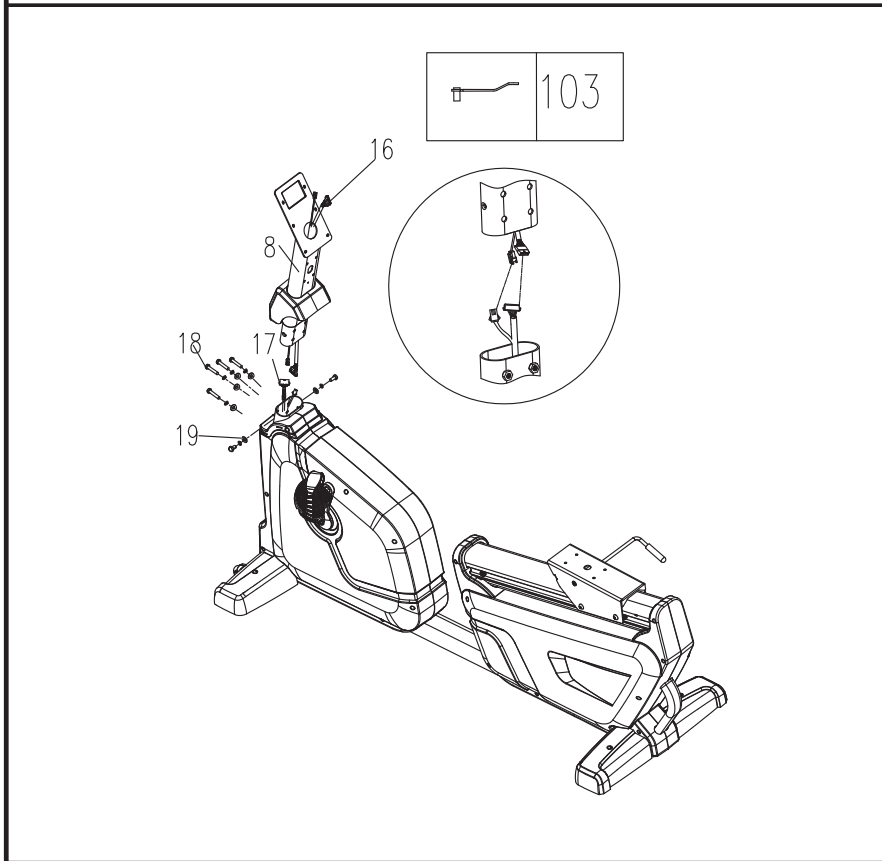
| NO | Description | Material | SPEC. | Q'ty | NO | Description | Material | SPEC. | Q'ty |
|----|----------------------|----------|--------------|------|-----|-------------------------|----------|------------------|------|
| 1 | Computer | | | 1 | 56 | Spring washer | | φ 6.1 | 4 |
| 2 | Screw | | ST3.5*16 | 4 | 57 | Idle spring | | | 1 |
| 3 | Computer tray | | | 1 | 58 | Idle pole | | | 1 |
| 4 | Screw | | M5*10 | 13 | 59 | Screw | | φ6.2*15L | 3 |
| 5 | Battery cover | | | 1 | 60 | Wave washer | | φ 10.2*φ13*0.3T | 1 |
| 6 | Battery | | | 1 | 61 | Idle wheel | | φ 44.5*29L | 1 |
| 7 | Handlebar | | | 1 | 62 | 6000 bearing | | | 2 |
| 8 | Handle tube | | | 1 | 63 | Nylon nut | | M8*7 | 1 |
| 9 | Handlebar | | | 1 | 64 | Cable | | | 1 |
| 10 | Flat washer | | φ8*φ19*2T | 34 | 65 | Magnet | | φ 15*2 | 1 |
| 11 | Spring washer | | φ 8 | 20 | 66 | Flooding plastic | | | 1 |
| 12 | Screw | | M8*25L | 12 | 67 | Bottle cage | | | 1 |
| 13 | Computer tray | | | 1 | 68 | Permanent seat | | | 1 |
| 14 | Cable | | | 1 | 69 | End cap | | | 1 |
| 15 | Cover of handle tube | | | 1 | 70 | Back | | | 1 |
| 16 | CABLE | | | 1 | 71 | Handle-L | | | 1 |
| 17 | CABLE | | | 1 | 72 | Screw | | ST3.5*25 | 2 |
| 18 | Screw | | M8*P1.25*60L | 4 | 73 | Handle pulse | | | 2 |
| 19 | Semi-circle washer | | φ8*φ19*2T | 2 | 74 | Handle-R | | | 1 |
| 20 | Screw | | M8*20 | 12 | 75 | Seat | | | 1 |
| 21 | Transportation wheel | | | 2 | 76 | Flooding plastic | | | 1 |
| 22 | Screw | | M8*40 | 2 | 77 | Cover | | | 1 |
| 23 | Nylon nut | | M8*7 | 11 | 78 | Cover | | | 1 |
| 24 | Screw | | ST2.9*10 | 30 | 79 | Cover | | | 1 |
| 25 | Cover | | | 1 | 80 | Screw | | 3/16**3/4" | 14 |
| 26 | Screw | | ST3.9*50L | 11 | 81 | hand shank | | φ14*75L, | 1 |
| 27 | Trim strip | | | 1 | 82 | adjusting rod | | φ 9.5 | 1 |
| 28 | L-leg | | | 1 | 83 | Connecting hand shank | | φ15*75L(M8) | 1 |
| 29 | Leg cover | | | 2 | 84 | axle sleeve | | | 2 |
| 30 | Pedal-L | | | 1 | 85 | Screw | | M8*P1.25*50L*S20 | 8 |
| 31 | Cover | | | 1 | 86 | Elastic cylindrical pin | | φ 3*28L | 2 |
| 32 | Trim strip | | | 1 | 87 | Eccentric shaft | | φ25.4*98.9L | 1 |
| 33 | Cover | | | 1 | 88 | Pressing plate | | | 1 |
| 34 | Cover | | | 1 | 89 | Spring | | | 1 |
| 35 | Flywheel | | | 1 | 90 | Friction plate | | | 1 |
| 36 | Sensor bar | | | 1 | 91 | Sliding block | | | 4 |
| 37 | Screw | | M6*15 | 4 | 92 | Nut | | | 4 |
| 38 | Spring washer | | φ 6.1 | 4 | 93 | Seat | | | 1 |
| 39 | Flat washer | | φ6.5*φ16*2T | 4 | 94 | Aluminum track | | 852L,6063 T5, | 1 |
| 40 | Frame | | | 1 | 95 | Nut stopper | | | 4 |
| 41 | Control board | | | 1 | 96 | Screw | | ST3.9*12L | 7 |
| 42 | End cap | | | 4 | 97 | Foaming | | | 1 |
| 43 | Nylon nut | | M20*10 | 1 | 98 | Support board | | | 1 |
| 44 | 6004 bearing | | | 2 | 99 | Cable | | | 2 |
| 45 | Screw | | M6*20L | 4 | 100 | Stopper | | | 2 |

| | | | | | | | | | |
|----|-------------|--|-----------|---|-----|---------------------------------|--|-------|---|
| 46 | Belt pulley | | φ 300*8 沟 | 1 | 101 | Cable | | | 1 |
| 47 | Axis | | φ 20*212L | 1 | 102 | Screw | | | 2 |
| 48 | Nylon nut | | M6*5.5T | 4 | 103 | VE730 wrench | | | 1 |
| 49 | Belt | | 430J8 | 1 | 104 | Screw | | M8*20 | 4 |
| 50 | Cover | | | 1 | 105 | Board | | | 1 |
| 51 | Cover | | | 1 | 106 | Payment seat | | | 1 |
| 52 | Cover | | | 1 | 107 | Triangle mechanical tooth | | | 2 |
| 53 | R-leg | | | 1 | 108 | Hex wrench | | | 1 |
| 54 | Nut | | M10 | 2 | 109 | Harpoon wrench | | | 1 |
| 55 | Pedal-R | | | 1 | 110 | Back | | | 1 |

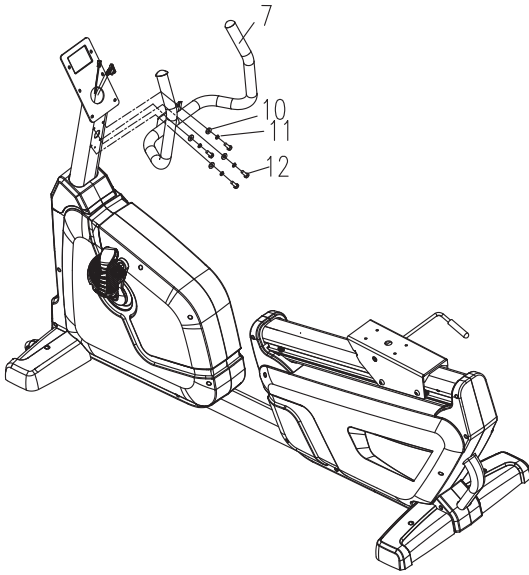
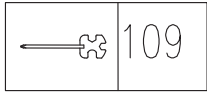
ASSEMBLY INSTRUCTION



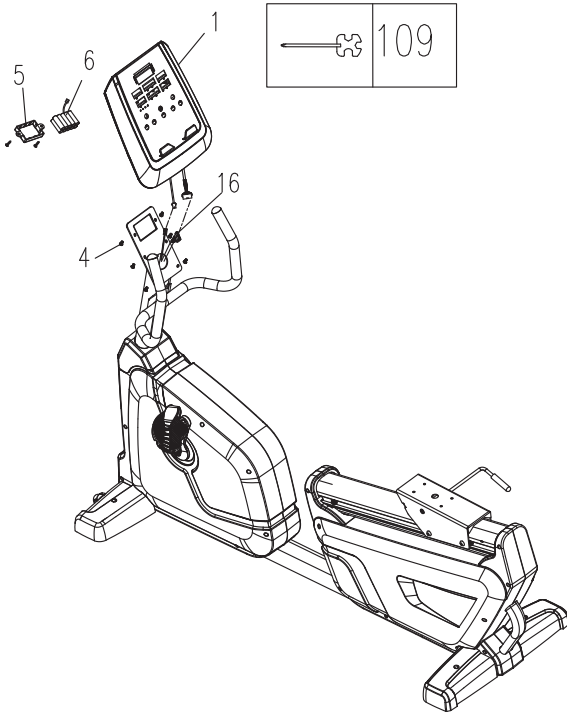
STEP 1



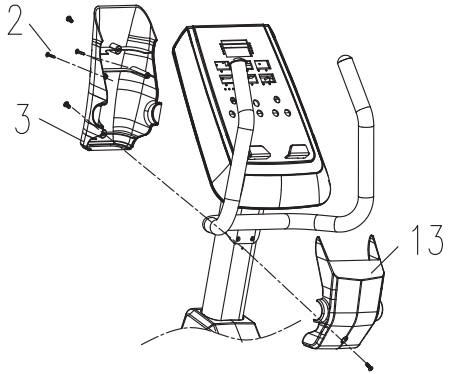
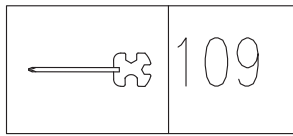
STEP 2



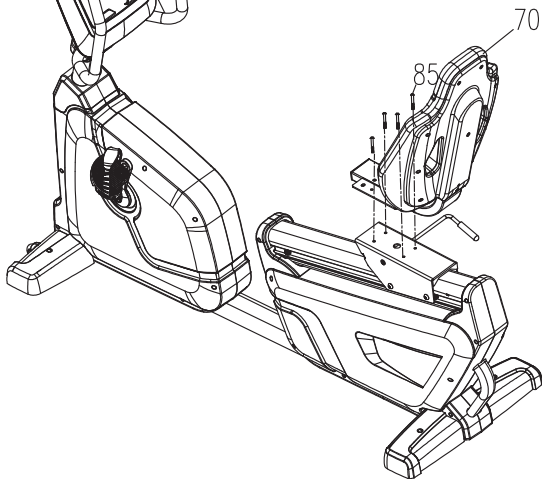
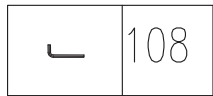
STEP 3



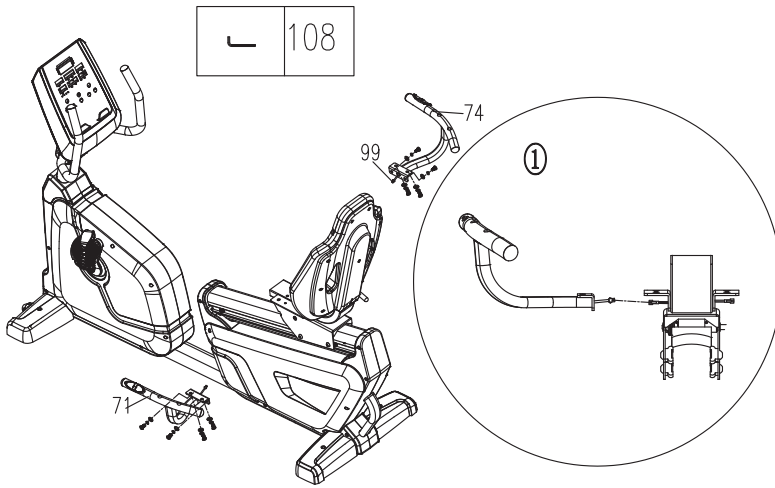
STEP 4



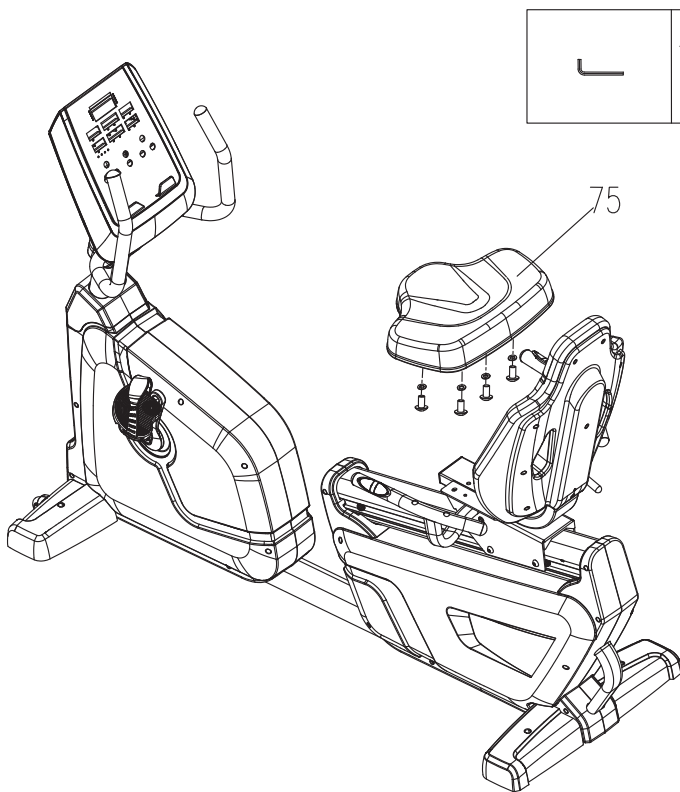
STEP 5



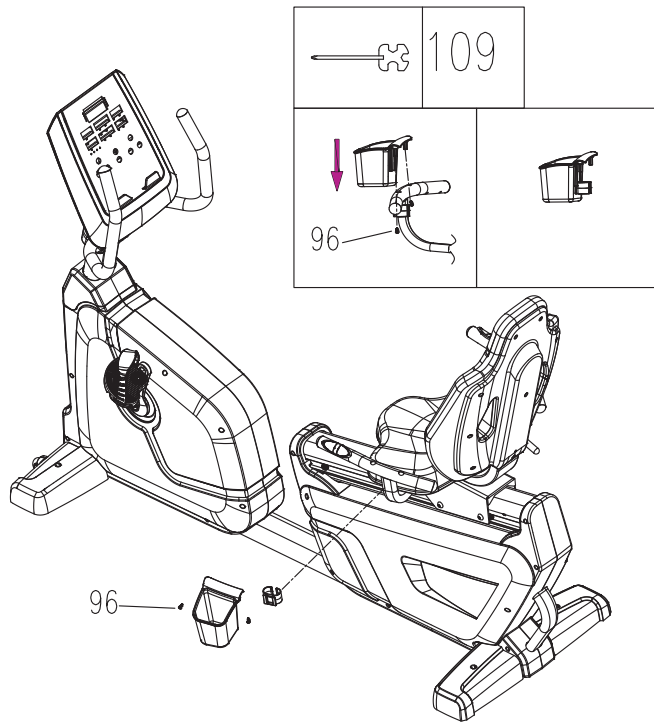
STEP 6



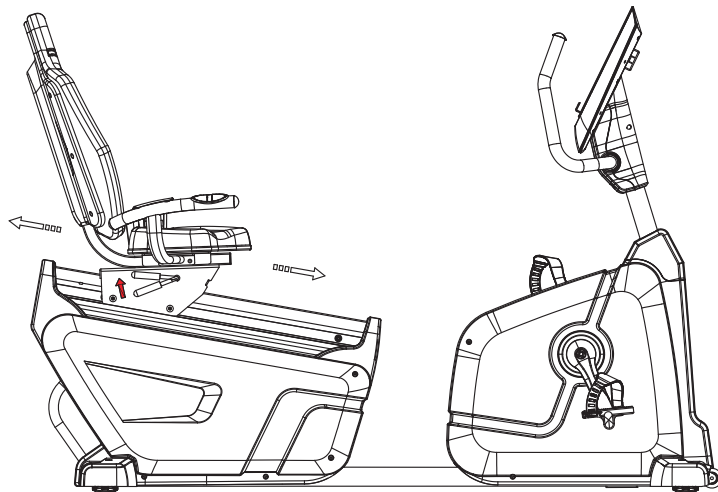
STEP 7



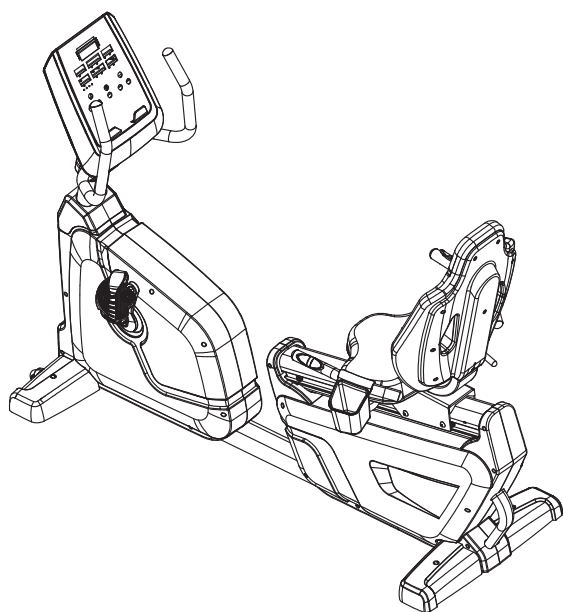
STEP 8



STEP 9



STEP 10



STEP 11

EXERCISE COMPUTER MANUAL

Function

TIME: 0:00~99:00, can be preset countdown
DISTANCE: 0.00~99.50km, can be preset countdown distance
CALORIES: 0~990, can be preset countdown calories
PULSE: P-40~220, can be preset maximum heart rate
WATT: 20~300, can be preset power values
MANUAL: 1~32 level
PROGRAM: P1~P12
H.R.C: 55%、75%、90%、IND (TARGET)
USER DATA: U0 ~U4
◆GENDER: FEMALE / MALE
◆AGE: 10-25-99
◆HEIGHT: 100-1670-200 (CM)
◆WEIGHT: 20-50-150 (KG)



Operation For heart rate recovery rate, test activists on movement after a period of time, press the button for 1 minute, when the time arrives, electronic watch rating points campaigner F1 - F6 physical state

1. Turn on the juice after electronic watch into the boot mode: buzzer beep a 1 second long sound, at the same time dot matrix display KM, 1 seconds into U0 model window
2. Digital display U0 can press "+"/" - "button to choose U0 ~ U4, selected according to the input/ENTER key to confirm, then set gender, age, height, weight of personal data, press the "input/ENTER" key to confirm.
3. If you choose the manual function, press the "input/ENTER" key confirmation, then press the " + "/" - "key set all the functions such as setting (such as time/distance/heat/heart rate), press" begin/START "which began to exercise, sports can press" + "/" - "key to adjust the set value.
4. If you choose other functions (such as application/power/set/heart rate, etc.), press the "RESET/RESET" key, press the "+"/" - "key choice function (such as application/power/set/heart rate, etc.).Chosen according to the input/ENTER key after confirmation, and then press the "+"/" - "key set all the functions such as setting (such as time/distance/Heart rate), press the "START/START" key which began to exercise, the movement can press "+"/" - "key to adjust the set value.

Operational approach

Heart induction: users holding device in hand 5 seconds will display the user's heartbeat.

General pattern: activists can operation buttons to set time/distance/heat/heart rate to achieve self-movement schedule, each function set according to the values fall to zero. Without setting directly trample the sports equipment, various functions on the numerical number accumulated.

Automatic shutdown: in the boot state is as long as no operating any button, and no signal input, electronic watch will automatically shut down the power supply in 4 minutes into sleep according to temperature, Press any key one or have a motion signal input can be restored to normal state.

Key Description

START : Let the computer run
RECOVERY : For heart rate recovery rate, test activists on movement after a period of time, press the button for 1 minute, when the time arrives, electronic watch rating points campaigner F1 - F6 physical state
+ : Increase the function of numerical (time/distance/heat/heart rate, etc.)
- : reduce the function of numerical (time/distance/heat/heart rate, etc.)
RESET : The original various numerical zero, reset the values
ENTER : To choose time/distance/heat/level/switch button and confirm the keys, such as heart rate function

Heart rate response when the heart rate detection, please press the "restore/RECOVERY" key Reply can begin to detect the heart function.

If the test of time from 1 minute countdown to 0:00, heartbeat symbol will continue to blink until to 0. Please tight handshake grip to detect 1 minutes heartbeat, maintain its heartbeat symbol flashing and detection, time to return 0, electronic watch interpretation reply user heartbeat F1 ~ F6 level.

| Heart rate response series | The user reply heart conditions | The heartbeat detection gap (Before and after the test) |
|----------------------------|---------------------------------|---|
| F1 | Excellent | average deviation 50 |
| F2 | Very good | 40-49 |
| F3 | Normal | 30-39 |
| F4 | Fair | 20-29 |
| F5 | Need to strengthen sports | 10-19 |
| F6 | Exercise insufficiency | Less than 10 |

Heart rate control mode

This function as a user heartbeat value control practice the exercises of resistance, basically in accordance with the required movement purpose and has the following four kinds of state:

- i.55% -- Dieting effect program
- ii.75% -- Health effect program
- iii.90% -- Sports effect program
- iv.Target heart rate -- Self training heart rate value

REMARK

1. Please avoid to place the computer in humid place.



GARLANDO SPA
Via Regione Piemonte, 32 - Zona Industriale D1
15068 - Pozzolo Formigaro (AL) - Italy
contact@toorxprofessional.it
www.toorxprofessional.it