

TCORX
PROFESSIONAL LINE

INSTRUCTION



BRX9000



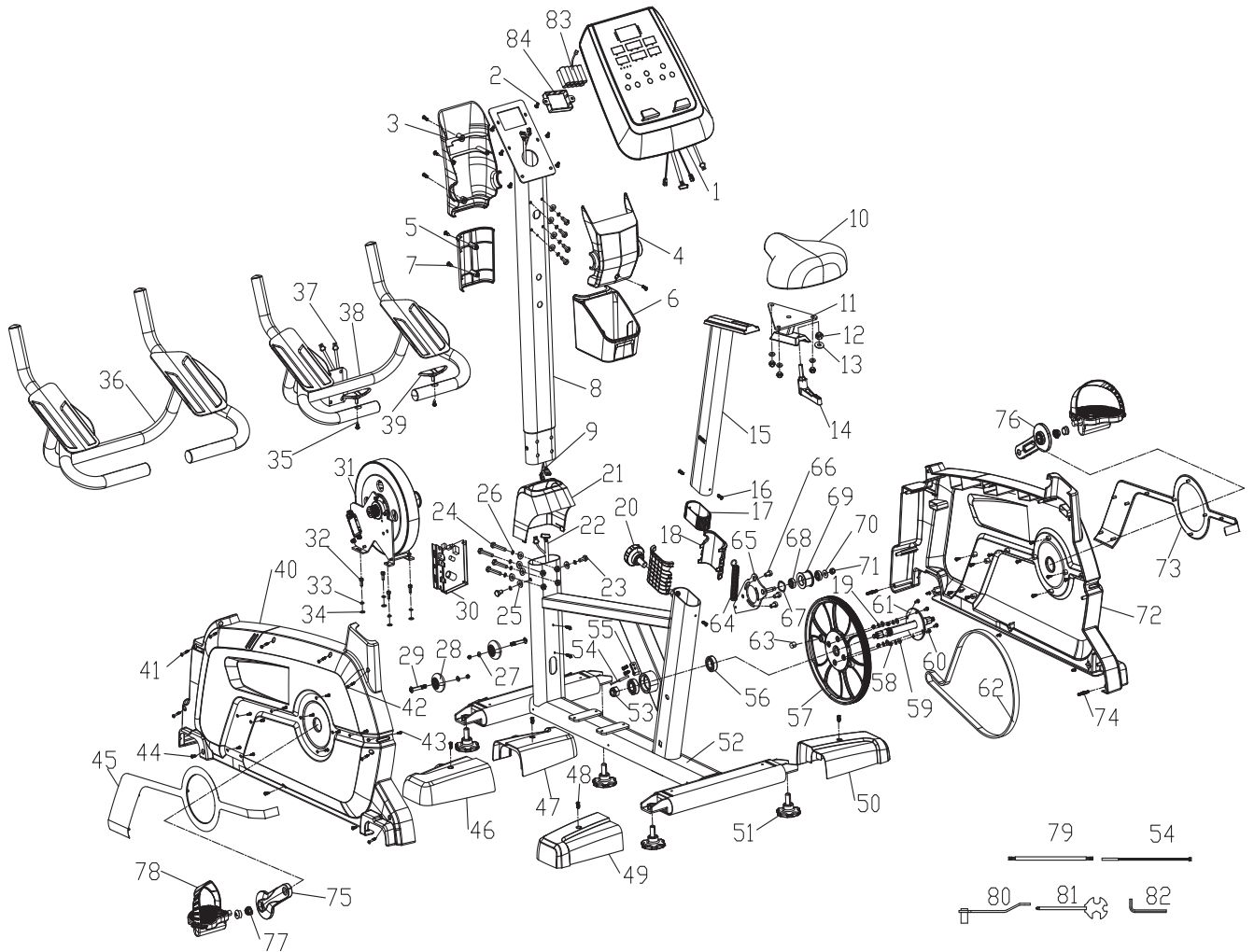
Cod : GRLDTCORXBRX9000

Rev : 00

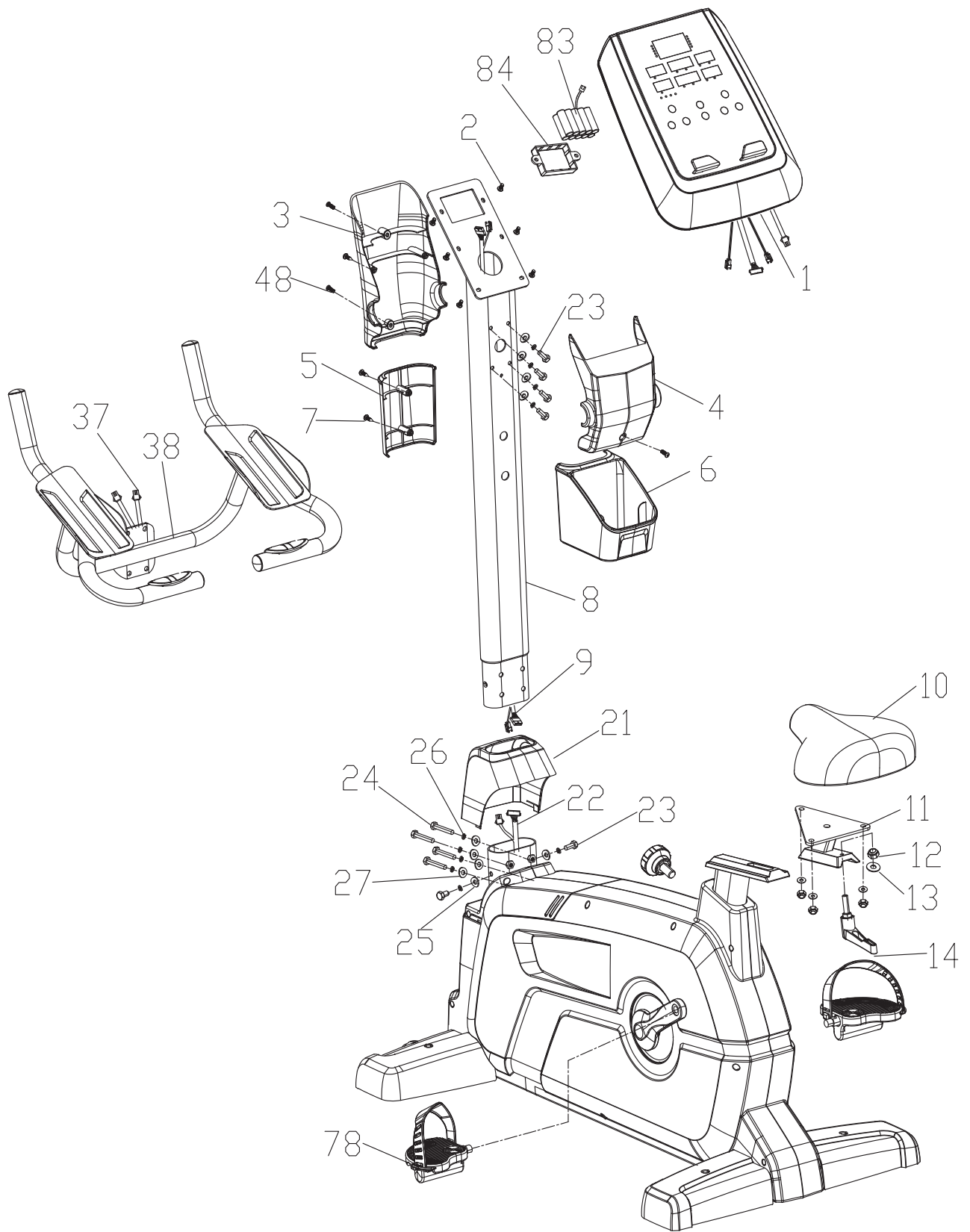
Ed : 10/18



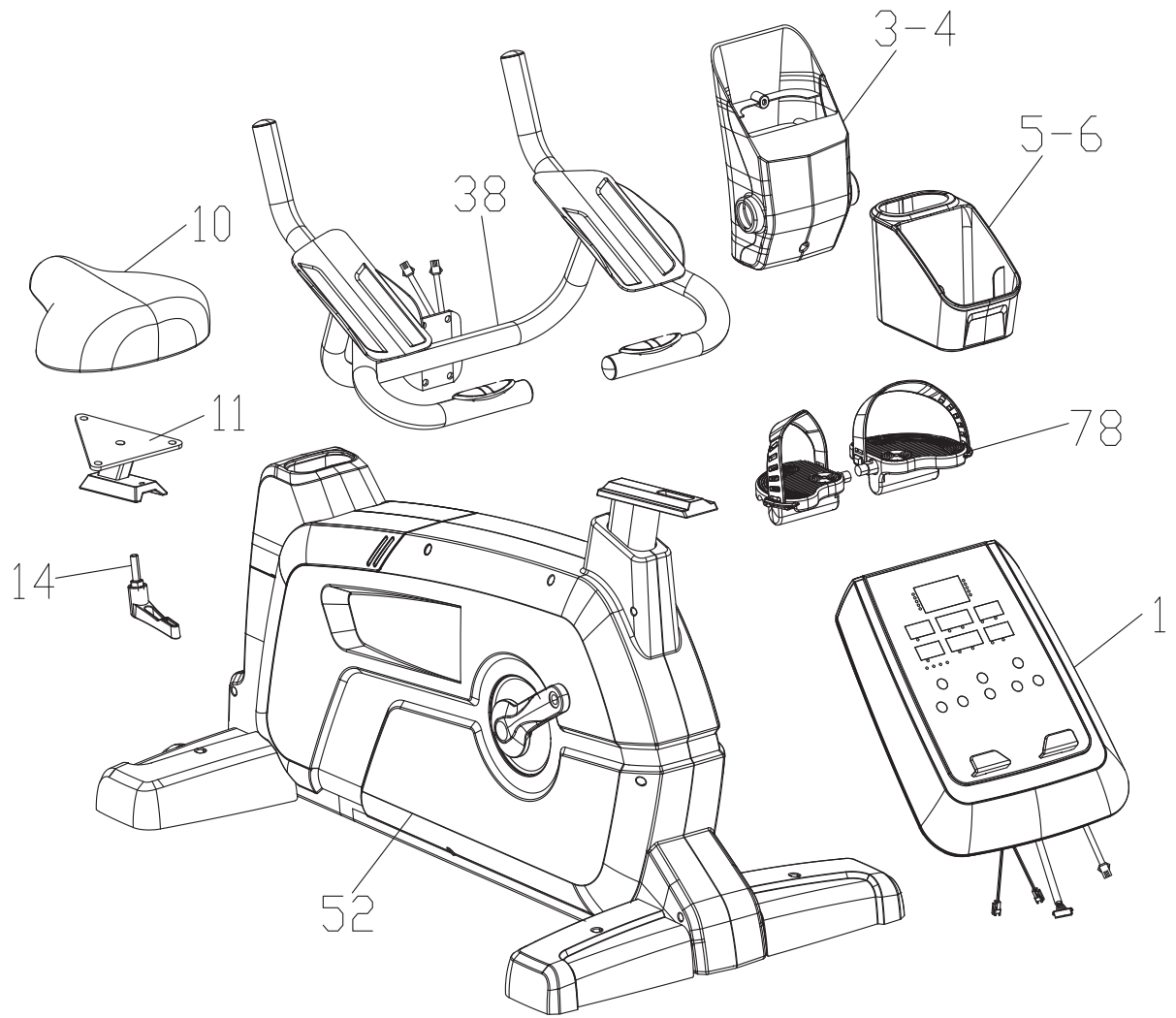
Big explosive view



Small explosive view

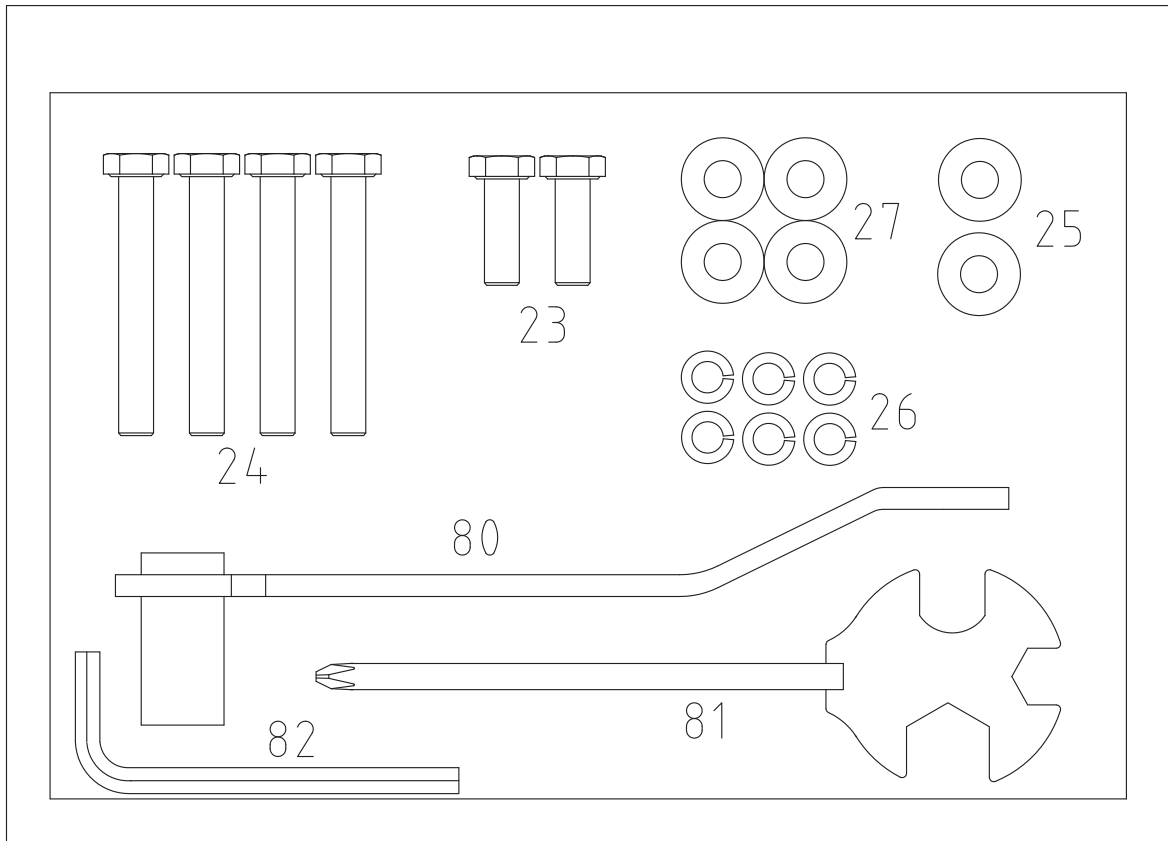


Assemble parts view



Part No.	Description	Q'ty	Part No.	Description	Q'ty
1	Computer	1	11	Sliding seat	1
3-4	Computer tray	1	14	Knob	1
5-6	Bottle Cage	1	38	Handle bar	1
10	Seat	1	52	Frame	1

Tool

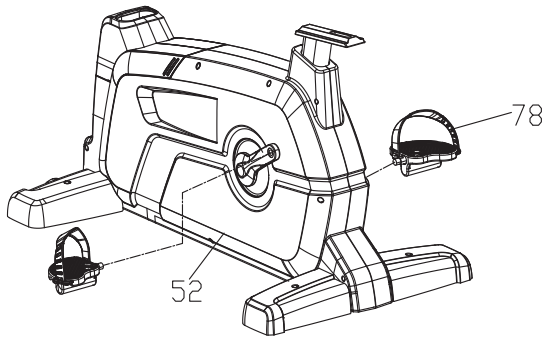


Part No.	Description	Q'ty
23	Screw M8*25	2
24	Screw M8*60	4
25	Semi-circle washer $\phi 8 \times \phi 19 \times 2T$	2
26	Wave washer $\phi 8 \times \phi 13.5 \times 2.5T$	6
27	Flat washer $\phi 8 \times \phi 19 \times 2T$	1
80	Wrench	1
81	Harpoon wrench	1
82	Hexagon wrench	1

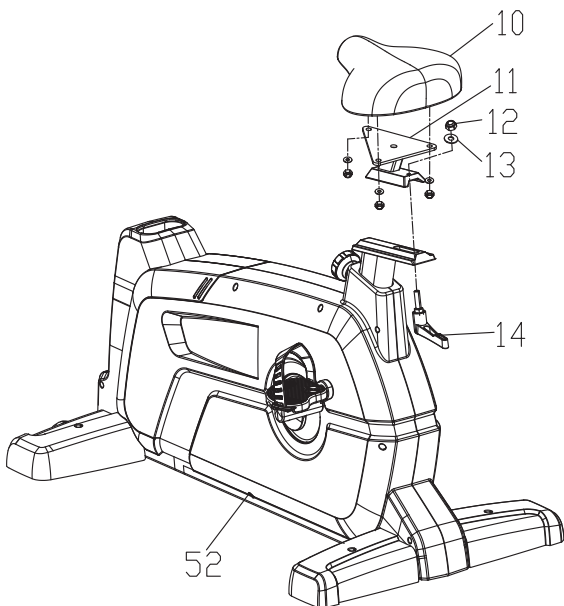
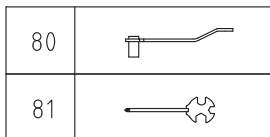
STAND TOOLS

NO	Description	Material	SPEC.	Q'ty	NO	Description	Material	SPEC.	Q'ty
1	Computer			1	43	Screw		ST2.9*10	22
2	Screw		M5*12	6	44	Screw		3/16"*3/4"	6
3	Computer tary			1	45	Trim strip			1
4	Computer tray			1	46	Cover			1
5	Cover			1	47	Cover			1
6	Cover			1	48	Screw		M5*12	8
7	Screw		ST3.5*16	4	49	Cover			1
8	Handle tube			1	50	Cover			1
9	Cable			1	51	End cap		M14	4
10	Seat			1	52	Frame			1
11	Sliding seat			1	53	Nylon nut		M20	1
12	Nylon nut		M10	1	54	Sensor bar			1
13	Flat washer		Φ10*Φ25*2T	1	55	Permanent seat			1
14	Knob			1	56	Bearing		6004	2
15	Seat tube			1	57	Belt pulley			1
16	Screw		M6*10	3	58	Nylon nut		M6	4
17	Seat clamp			1	59	Flat washer		Φ6.5*Φ16*2T	4
18	Seat clamp			2	60	Screw		M6*20	4
19	Spring washer		Φ6.1*1.6T	4	61	Axis			1
20	Knob		M16	1	62	Belt		460J8	1
21	Cover			1	63	Magnet		Φ 15*2	1
22	Cable			1	64	Idle spring			1
23	Screw		M8*25L	6	65	Idle pole			1
24	Screw		M8*25L	4	66	Screw		Φ6.2*15L	3
25	Semi-circle washer		Φ8*Φ19*2T	2	67	Wave washer		Φ 10.2*Φ13*0.3T	1
26	Wave washer		Φ 8	10	68	Bearing		6000	2
27	Flat washer		Φ8*Φ19*2T	6	69	Idle wheel			1
28	Transportation wheel			2	70	Flat washer		Φ8*Φ14*2T	1
29	Screw		M8*40	2	71	Nylon nut		M8	3
30	Control board			1	72	Cover			1
31	Flywheel			1	73	Trim strip			1
32	Screw		M6*16	4	74	Pull rod			2
33	Wave washer		Φ6.1*1.6T	4	75	Leg-L			1
34	Flat washer		Φ6.5*Φ16*2T	4	76	Leg-R			1
35	Screw		ST3.5*25	2	77	Nut		M10	2
36	Handle bar foam			1	78	Pedal			1
37	Handle pulse			1	79	cabl			1
38	Handle bar			1	80	Wrench			1
39	Handle pulse			2	81	Harpoon wrench			1
40	Cover	ABS		1	82	Hexagon			1
41	Screw		ST3.9*50	7	83	Battery pack			1
42	Screw		ST3.9*30	1	84	Battery box			1

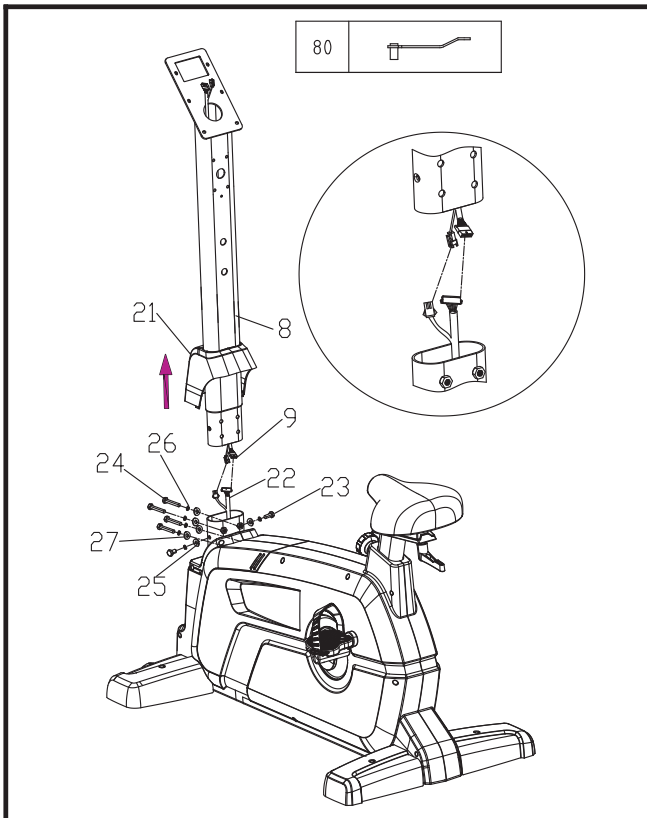
ASSEMBLY INSTRUCTION



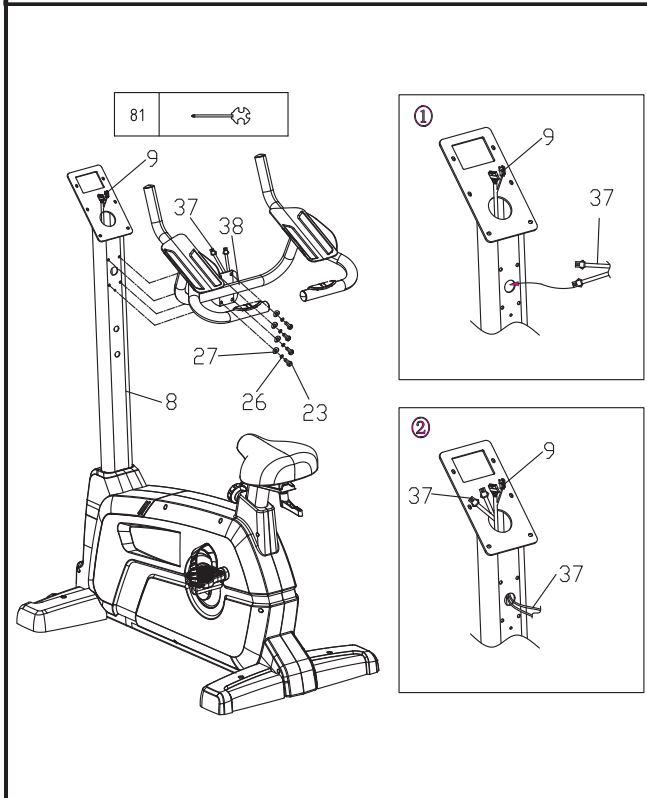
Step 1 Attach stabilizer to the frame, pay attention to the sequence according to the figure assembly.



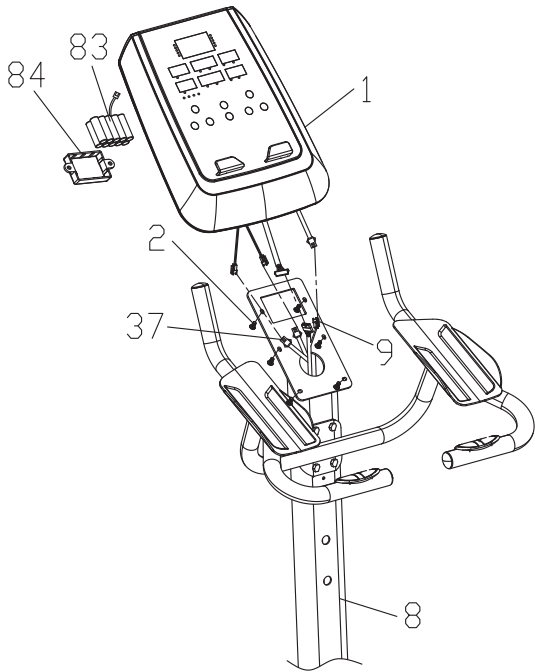
Step 2 Attach pedal to frame assembly, pay attention to the left and right pedal.



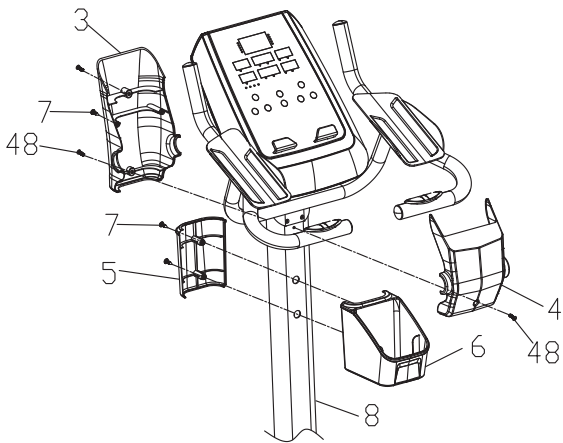
Step 3 Attach the seat frame (10) assembly to the seat rail (11). First put the spring washers, tighten the hexagonal screws. Then attach the seat frame assembly to the seat rail. According to the figure, fasten the seat cushion smooth knob (14).



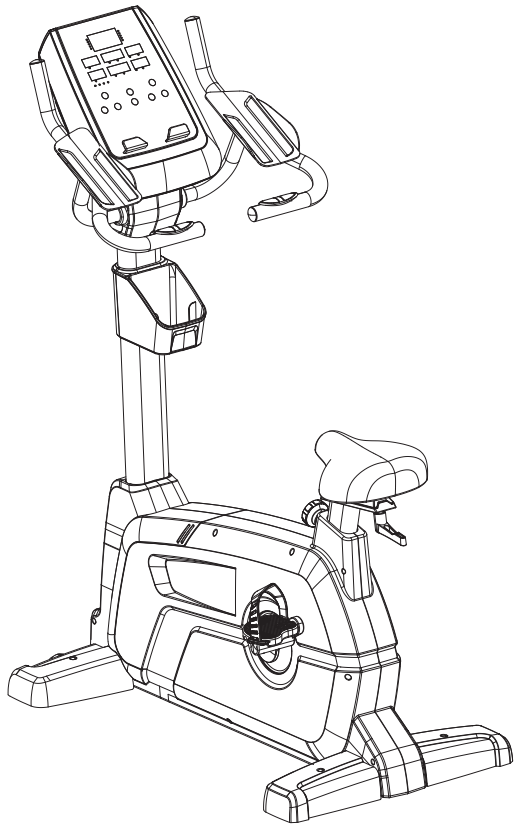
Step 4 Attach the handlebar mast to the frame assembly. Remove the screws from the joint of frame and handlebar. Put the upper shroud (21) on the handlebar mast. Connect the motor cables and console cables (9) and (22). Attach the console mast to frame assembly. Then tighten the hex screws, flat washers and spring washers. Attach the handlebar mast to the frame assembly.



Step 5 Attach the handlebar to frame assembly, according to the figure, put the heart rate cable up first. According to the figure tighten the screws (23) (26) (27)



Step 6 Connect cables and attach console to the frame assembly. Put on the lithium battery (82) and battery cover.



Step 7 Attach water bottle holder to the frame assembly. Install the handle bar shroud.

EXERCISE COMPUTER MANUAL

Function

TIME: 0:00~99:00, can be preset countdown
DISTANCE: 0.00~99.50km, can be preset countdown distance
CALORIES: 0~990, can be preset countdown calories
PULSE: P-40~220, can be preset maximum heart rate
WATT: 20~300, can be preset power values
MANUAL: 1~32 level
PROGRAM: P1~P12
H.R.C: 55%、75%、90%、IND (TARGET)
USER DATA: U0 ~U4
◆GENDER: FEMALE / MALE
◆AGE: 10-25-99
◆HEIGHT: 100-1670-200 (CM)
◆WEIGHT: 20-50-150 (KG)



Operation For heart rate recovery rate, test activists on movement after a period of time, press the button for 1 minute, when the time arrives, electronic watch rating points campaigner F1 - F6 physical state

1. Turn on the juice after electronic watch into the boot mode: buzzer beep a 1 second long sound, at the same time dot matrix display KM, 1 seconds into U0 model window
2. Digital display U0 can press "+"/" - "button to choose U0 ~ U4, selected according to the input/ENTER key to confirm, then set gender, age, height, weight of personal data, press the "input/ENTER" key to confirm.
3. If you choose the manual function, press the "input/ENTER" key confirmation, then press the " + "/" - "key set all the functions such as setting (such as time/distance/heat/heart rate), press" begin/START "which began to exercise, sports can press" + "/" - "key to adjust the set value.
4. If you choose other functions (such as application/power/set/heart rate, etc.), press the "RESET/RESET" key, press the "+"/" - "key choice function (such as application/power/set/heart rate, etc.).Chosen according to the input/ENTER key after confirmation, and then press the "+"/" - "key set all the functions such as setting (such as time/distance/Heart rate), press the "START/START" key which began to exercise, the movement can press "+"/" - "key to adjust the set value.

Operational approach

Heart induction: users holding device in hand 5 seconds will display the user's heartbeat.

General pattern: activists can operation buttons to set time/distance/heat/heart rate to achieve self-movement schedule, each function set according to the values fall to zero. Without setting directly trample the sports equipment, various functions on the numerical number accumulated.

Automatic shutdown: in the boot state is as long as no operating any button, and no signal input, electronic watch will automatically shut down the power supply in 4 minutes into sleep according to temperature, Press any key one or have a motion signal input can be restored to normal state.

Key Description

START : Let the computer run
RECOVERY : For heart rate recovery rate, test activists on movement after a period of time, press the button for 1 minute, when the time arrives, electronic watch rating points campaigner F1 - F6 physical state
+ : Increase the function of numerical (time/distance/heat/heart rate, etc.)
- : reduce the function of numerical (time/distance/heat/heart rate, etc.)
RESET : The original various numerical zero, reset the values
ENTER : To choose time/distance/heat/level/switch button and confirm the keys, such as heart rate function

Heart rate response when the heart rate detection, please press the "restore/RECOVERY" key Reply can begin to detect the heart function.

If the test of time from 1 minute countdown to 0:00, heartbeat symbol will continue to blink until to 0. Please tight handshake grip to detect 1 minutes heartbeat, maintain its heartbeat symbol flashing and detection, time to return 0, electronic watch interpretation reply user heartbeat F1 ~ F6 level.

Heart rate response series	The user reply heart conditions	The heartbeat detection gap (Before and after the test)
F1	Excellent	average deviation 50
F2	Very good	40-49
F3	Normal	30-39
F4	Fair	20-29
F5	Need to strengthen sports	10-19
F6	Exercise insufficiency	Less than 10

Heart rate control mode

This function as a user heartbeat value control practice the exercises of resistance, basically in accordance with the required movement purpose and has the following four kinds of state:

- i.55% -- Dieting effect program
- ii.75% -- Health effect program
- iii.90% -- Sports effect program
- iv.Target heart rate -- Self training heart rate value

REMARK

1. Please avoid to place the computer in humid place.



GARLANDO SPA
Via Regione Piemonte, 32 - Zona Industriale D1
15068 - Pozzolo Formigaro (AL) - Italy
contact@toorxprofessional.it
www.toorxprofessional.it