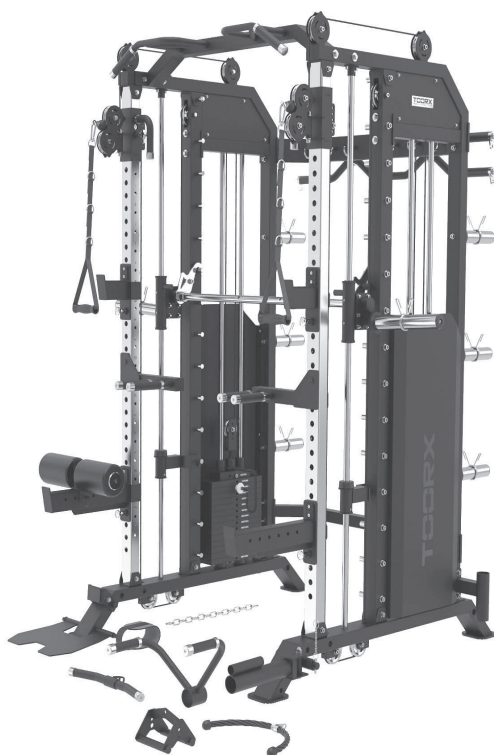


**TOORX**  
PROFESSIONAL LINE

# INSTRUCTION



# ASX 6000

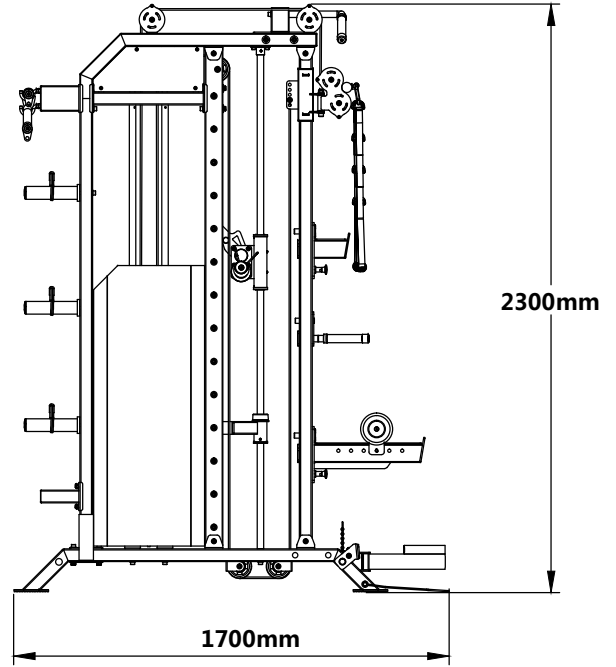
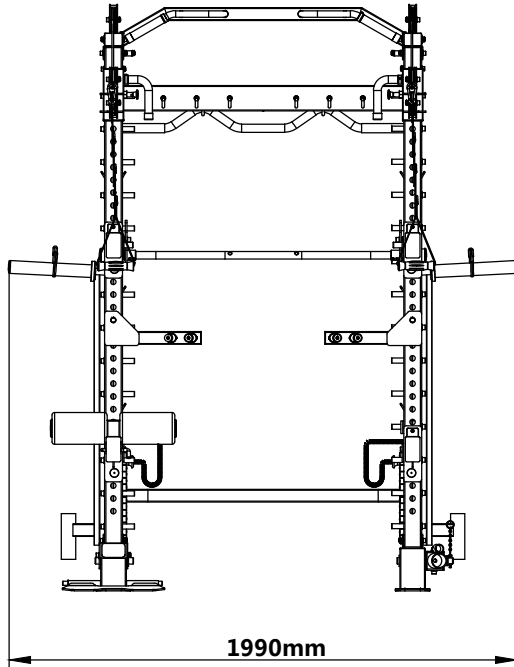


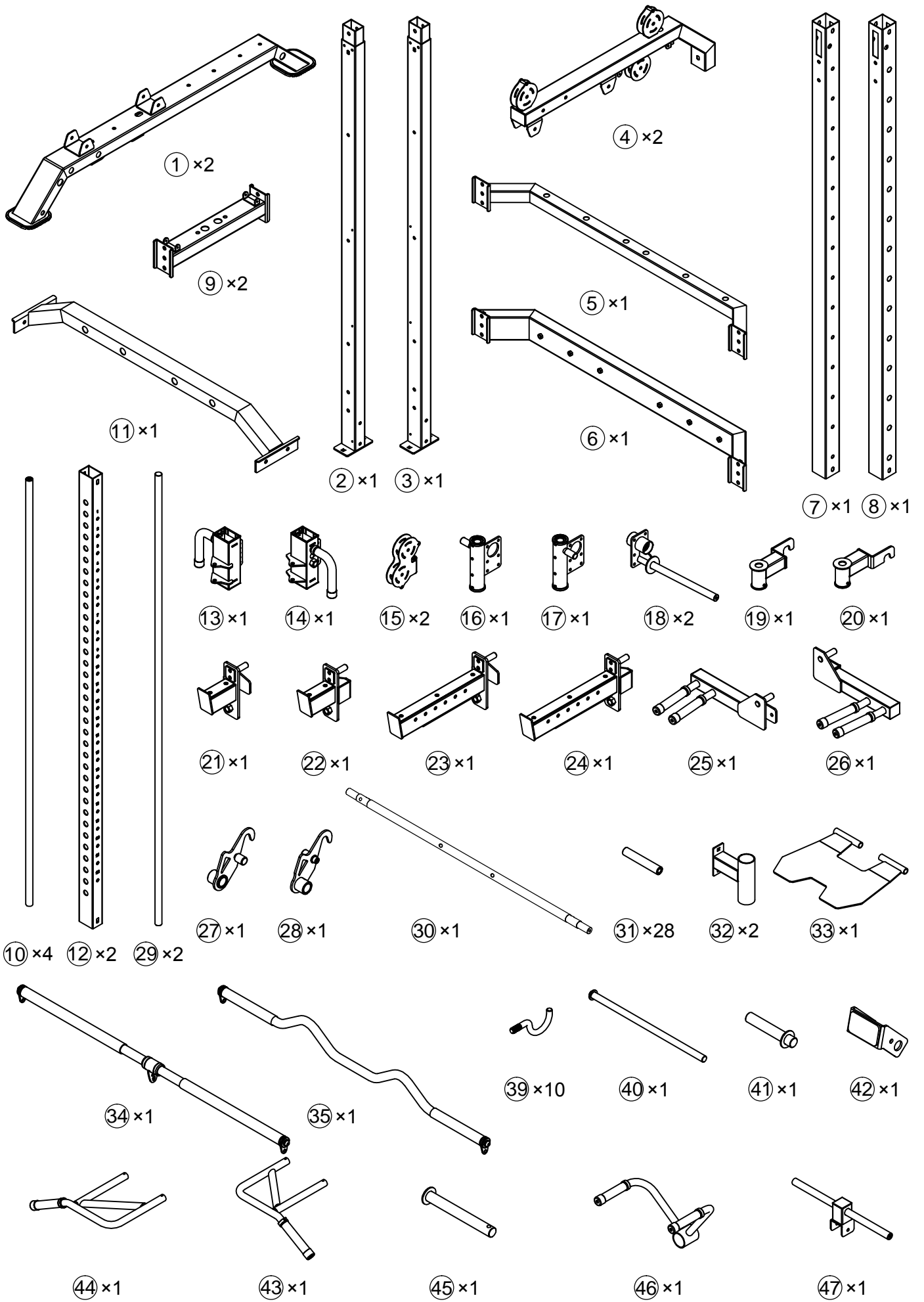
Cod : GRLDTOORXASX6000

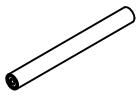
Rev: 00

Ed: 04/23

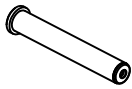
**Assembled Dimension: 1990mm x 1700mm x2300mm**







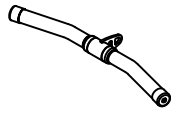
④⑧ × 6



⑤⑩ × 2



⑤① × 6



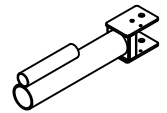
⑤② × 1



⑤③ × 1



⑤④ × 1



⑤⑤ × 1



⑤⑥ × 2



⑤⑦ × 1



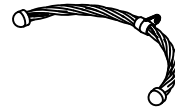
⑥② × 2



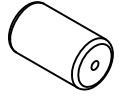
⑥③ × 2



⑥⑥ × 1



⑥⑨ × 1



⑦⑩ × 2



⑦① × 2



⑦② × 1



⑦⑤ × 6



⑦⑥ × 2



⑦⑦ × 2



⑦⑧ × 6



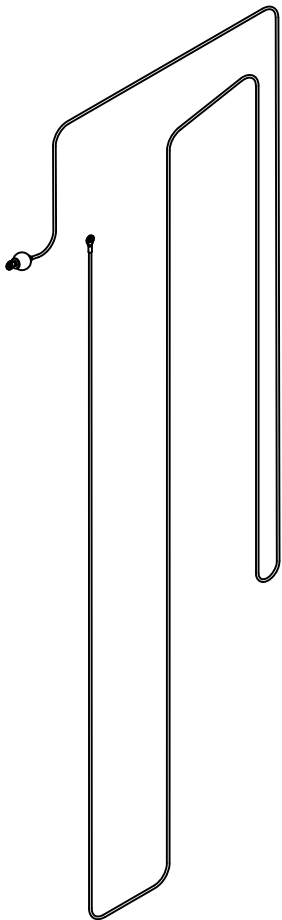
⑧③ × 2



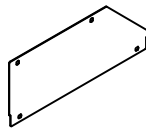
⑧⑤ × 16



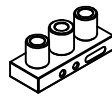
⑧⑥ × 2



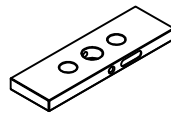
⑧④ × 2



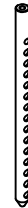
⑬⑤ × 4



⑬⑥ × 2



⑬⑦ × 28



⑬⑧ × 2



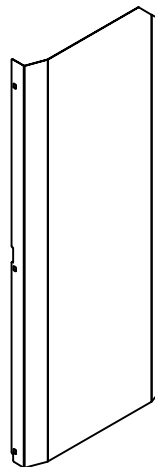
⑬⑨ × 2



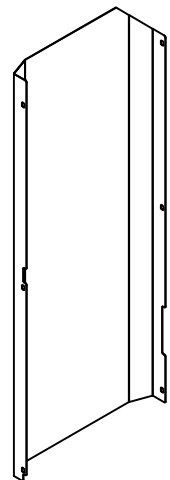
⑭⑩ × 2



⑭④ × 2



⑭⑦ × 1

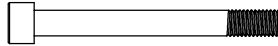


⑭⑧ × 1





118



x4 M10x95

125

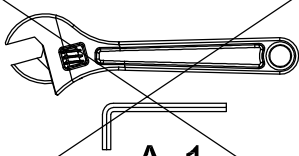


x8 Φ10

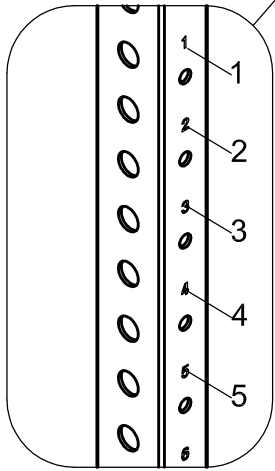
129



x4 M10



A-1



14

75

Φ20.5

12

8

75

13

12

7

Φ13

118

125

125

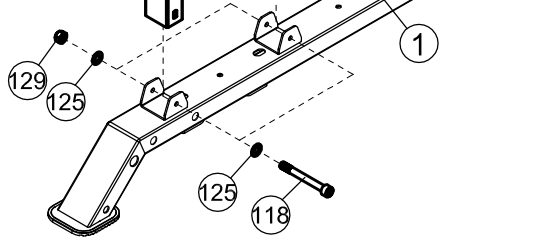
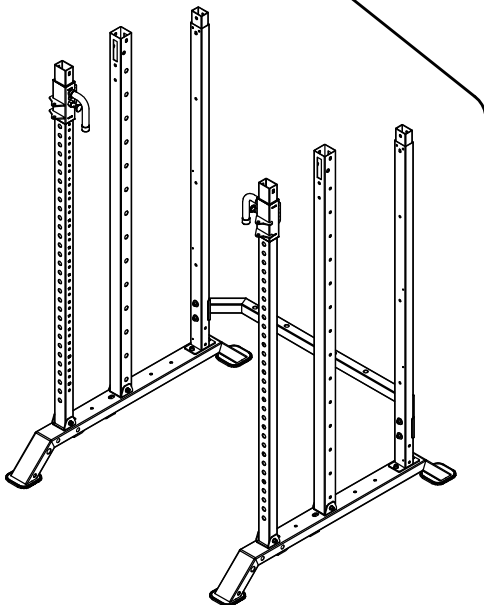
129

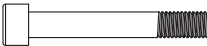




129

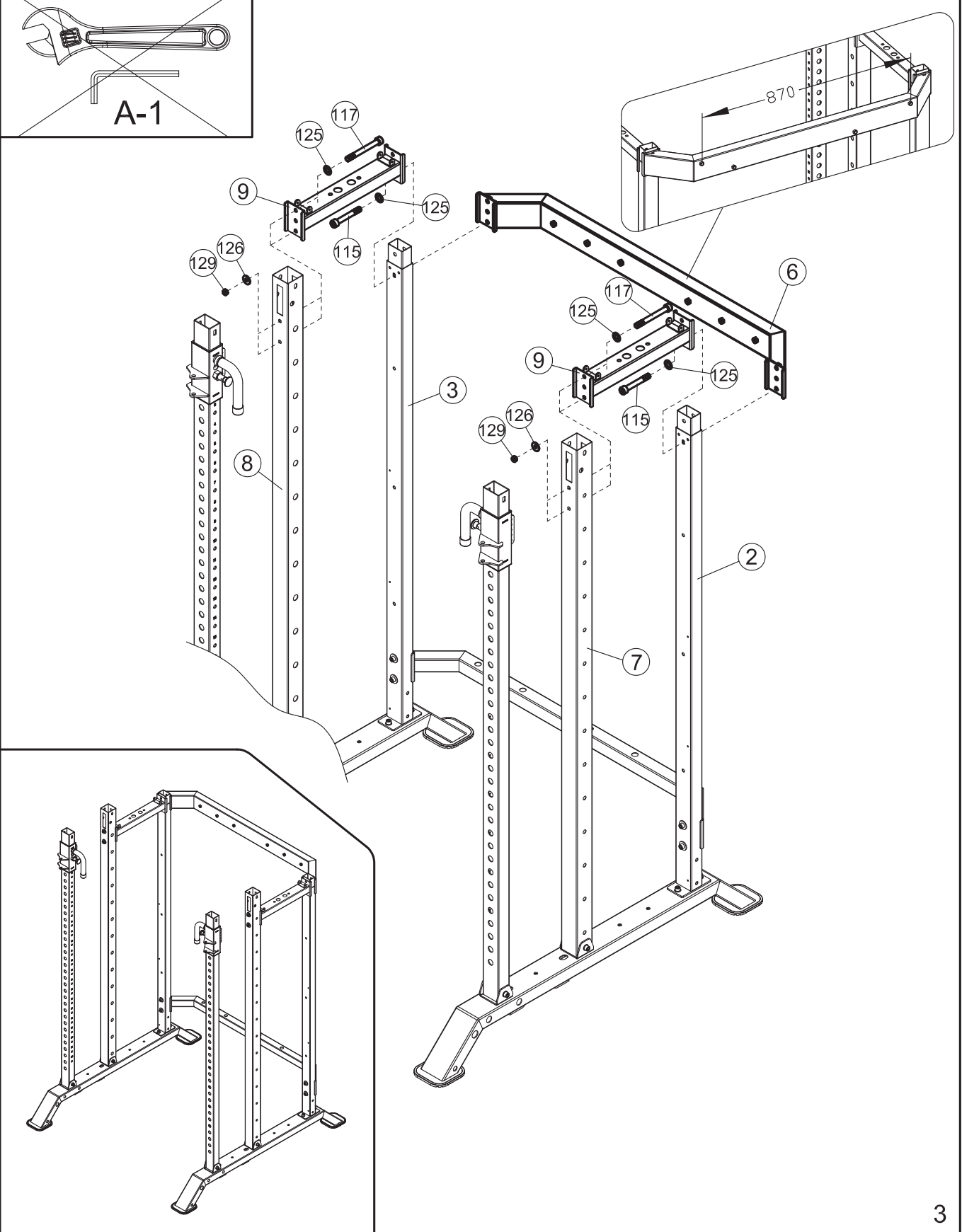
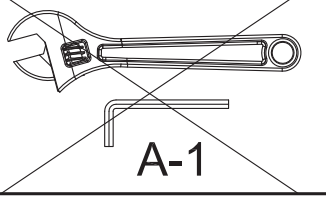
125

125

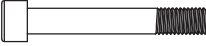

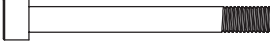

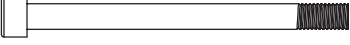

118

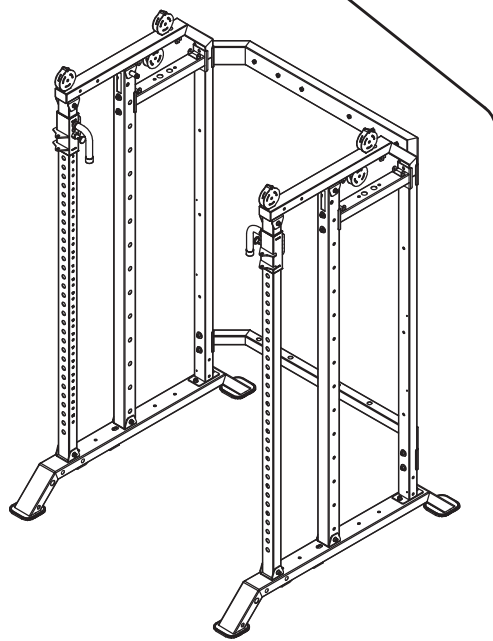
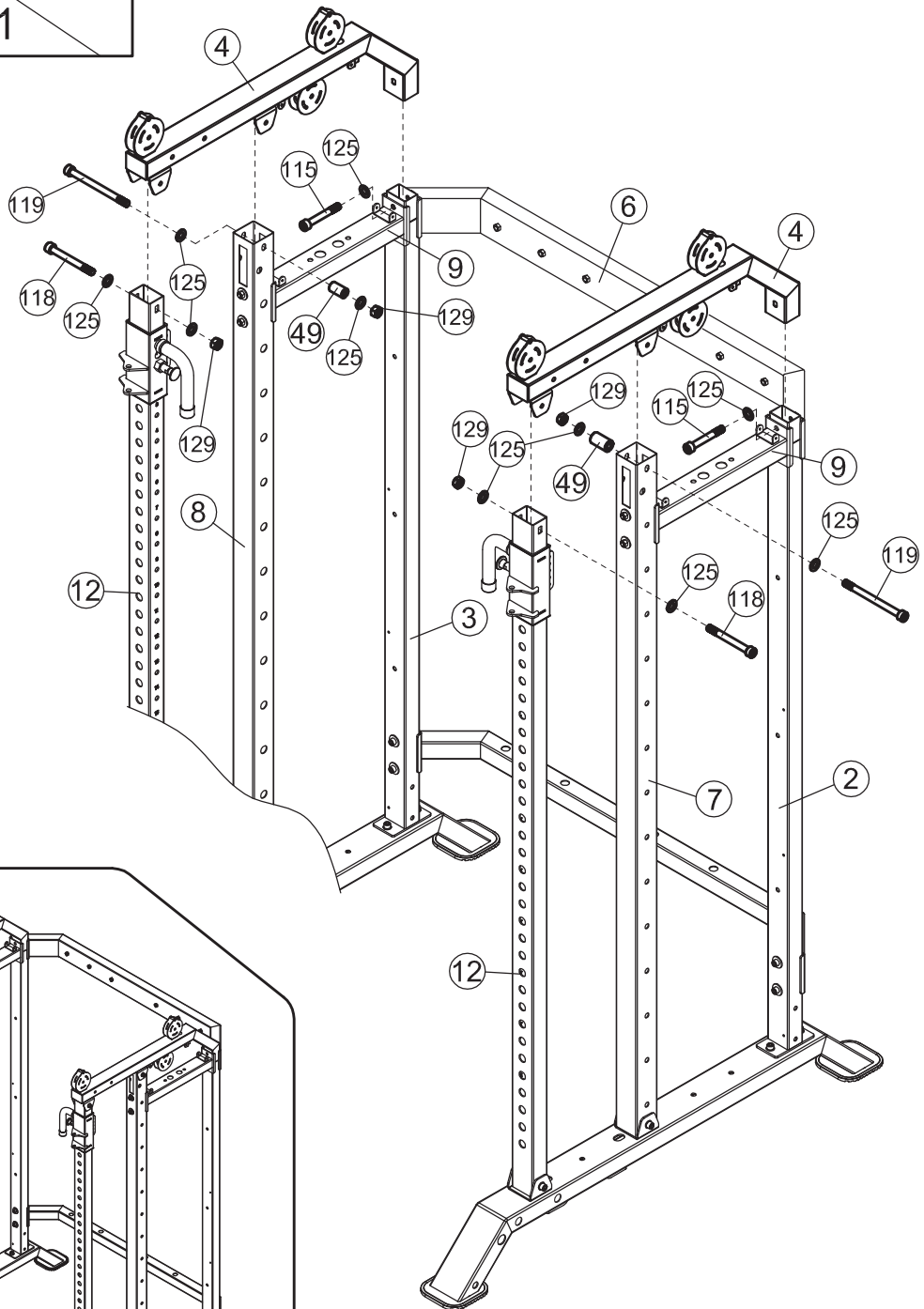
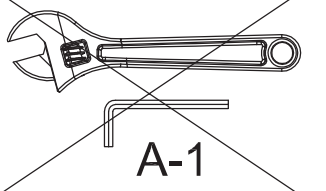


- |      |   |    |        |      |  |    |           |
|------|---|----|--------|------|--|----|-----------|
| ①115 |  | ×2 | M10×70 | ①126 |  | ×4 | Φ30×Φ10.5 |
| ①117 |  | ×4 | M10×90 | ①125 |  | ×6 | Φ10       |
| ①129 |  | ×4 | M10    |      |  |    |           |

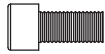




- |      |   |    |         |      |  |     |              |
|------|---|----|---------|------|--|-----|--------------|
| ①115 |  | ×2 | M10×70  | ①125 |  | ×10 | Φ10          |
| ①118 |  | ×2 | M10×95  | ①129 |  | ×4  | M10          |
| ①119 |  | ×2 | M10×125 | ①49  |  | ×2  | Φ20×Φ10.2×32 |



120



x28 M12x25

127

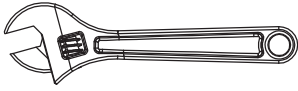


x28 Φ12

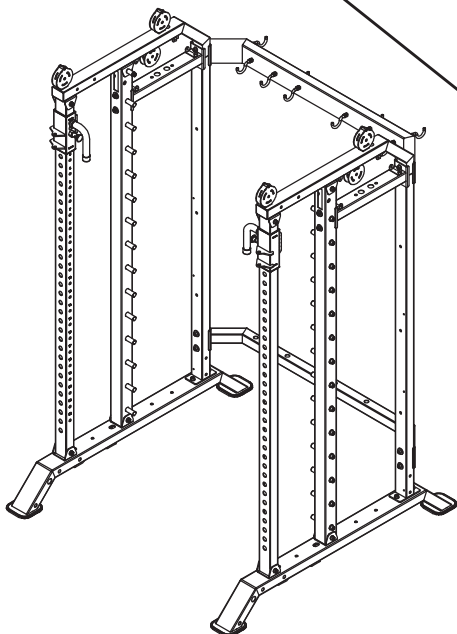
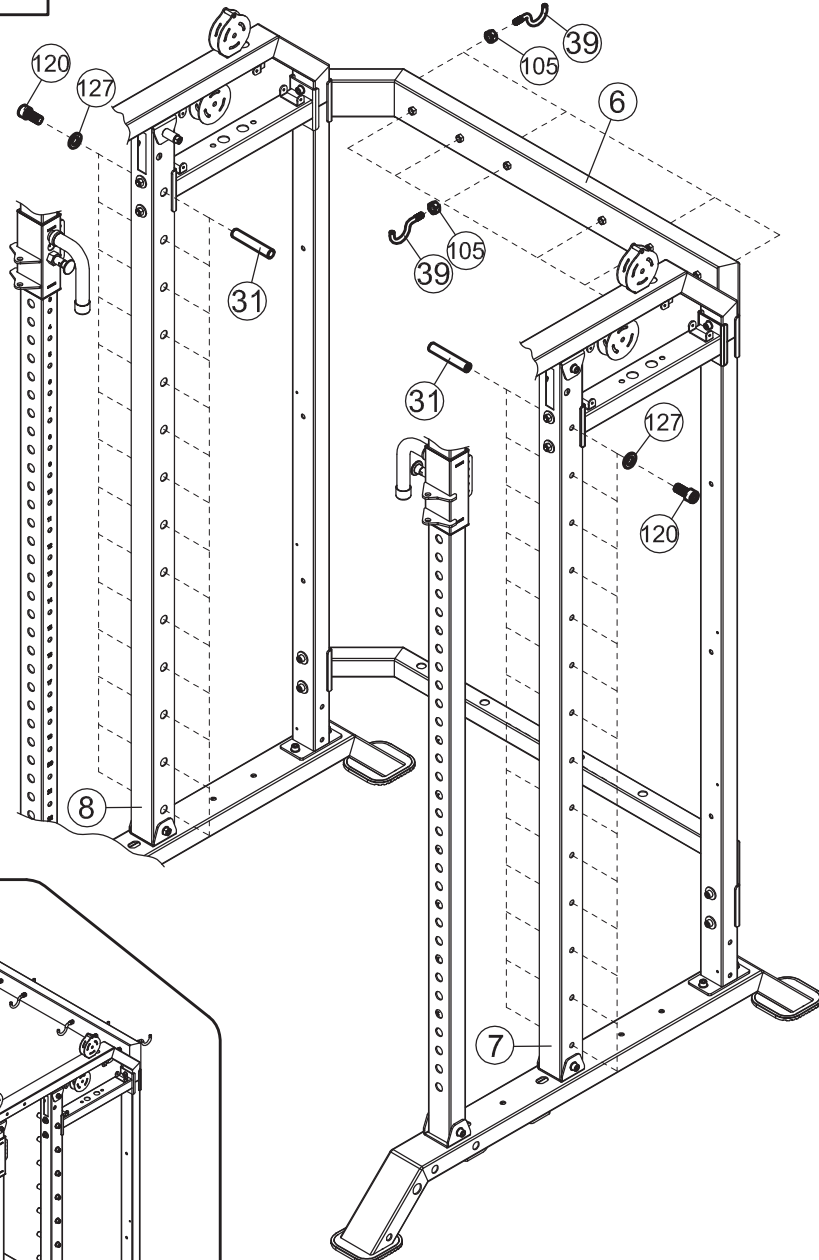
105

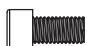


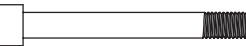



x10 M10



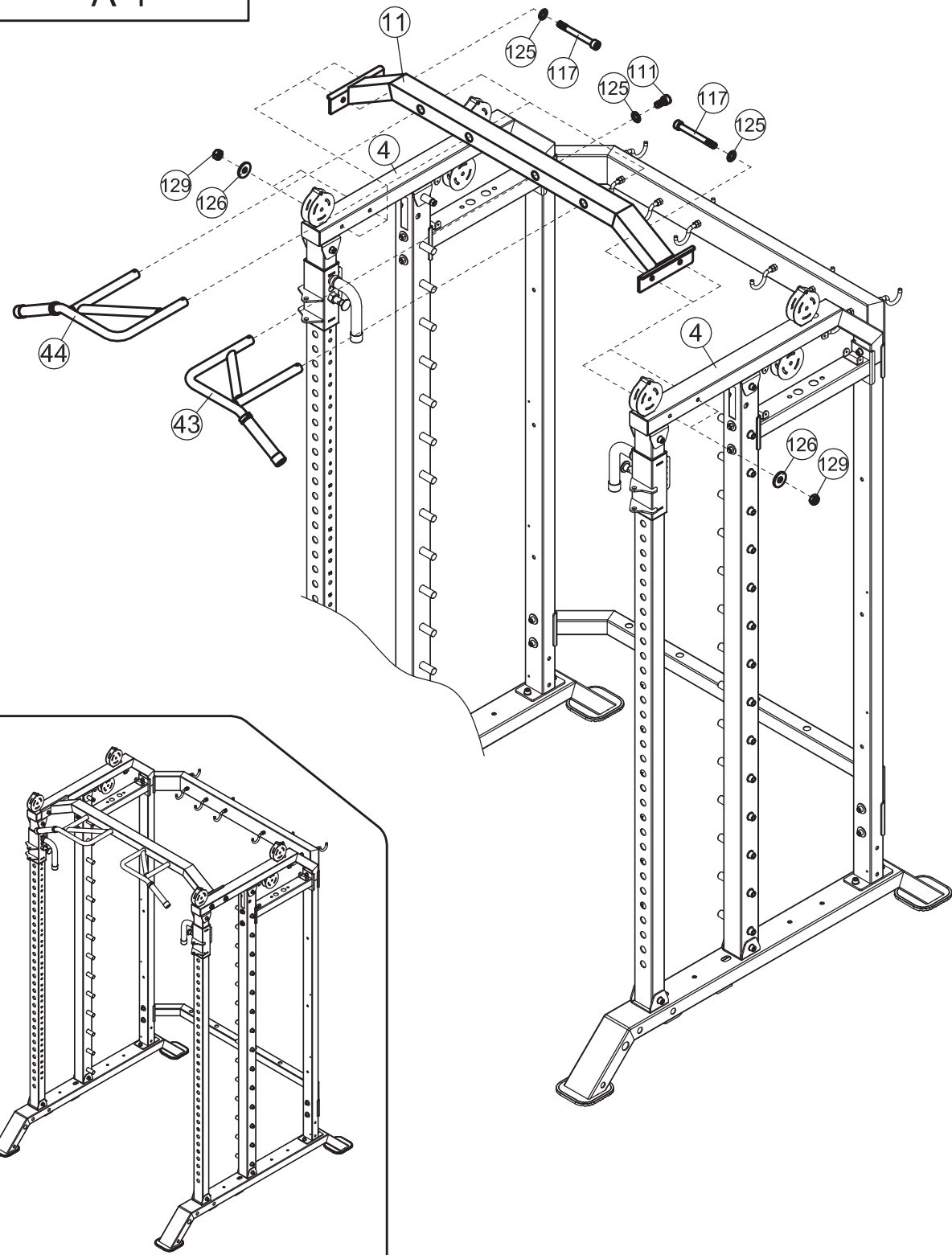
A-1

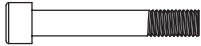






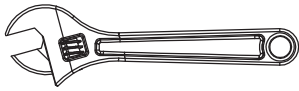
- |     |   |    |        |     |  |    |           |
|-----|---|----|--------|-----|--|----|-----------|
| ①11 |  | x4 | M10x20 | ①26 |   | x4 | Φ30xΦ10.5 |
| ①25 |  | x8 | Φ10    | ①17 |  | x4 | M10x90    |
| ①29 |  | x4 | M10    |     |  |    |           |



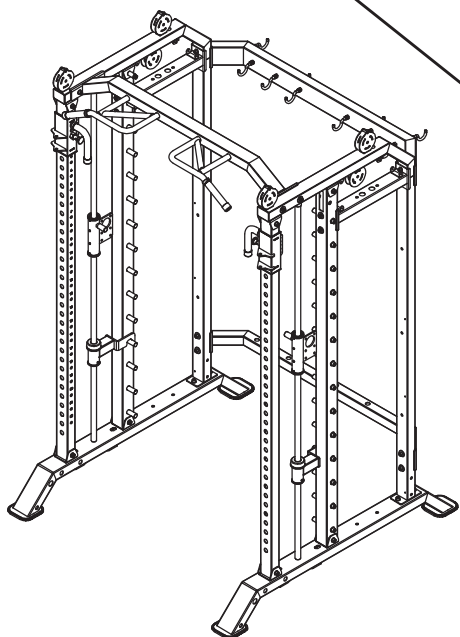
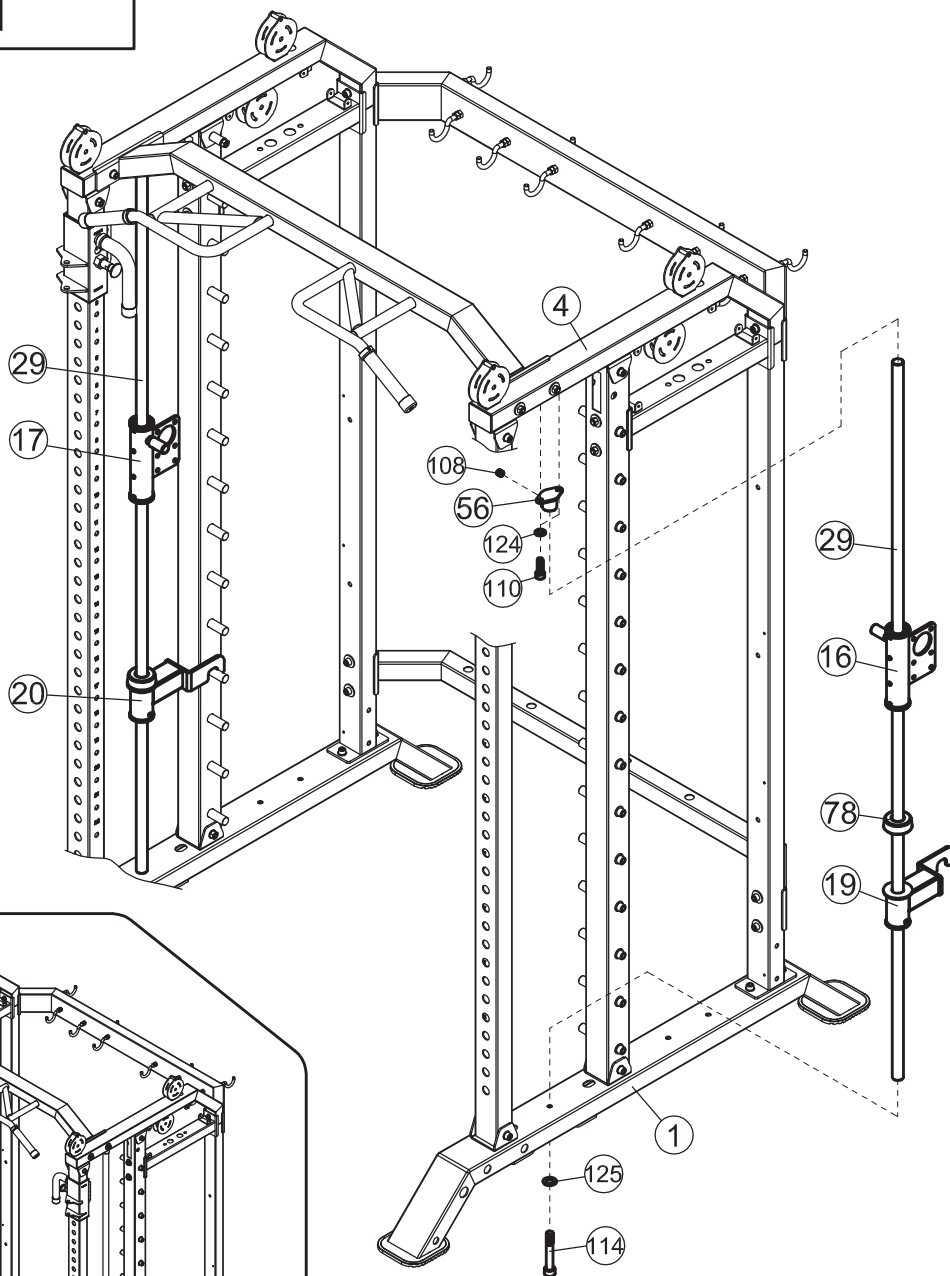
A-1







- |      |   |    |        |     |  |    |      |
|------|---|----|--------|-----|--|----|------|
| ①114 |  | x2 | M10x65 | ①24 |   | x4 | Φ8   |
| ①25  |  | x2 | Φ10    | ①08 |  | x2 | M6x6 |
| ①10  |  | x4 | M8x25  |     |  |    |      |

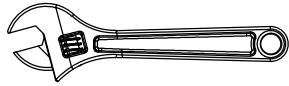



A-1

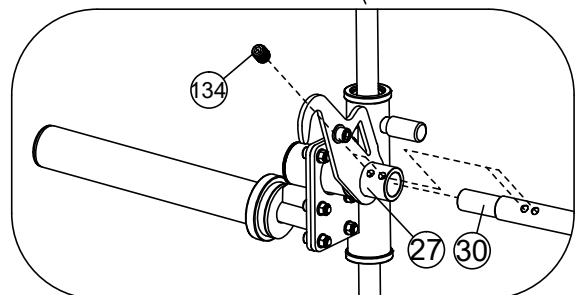
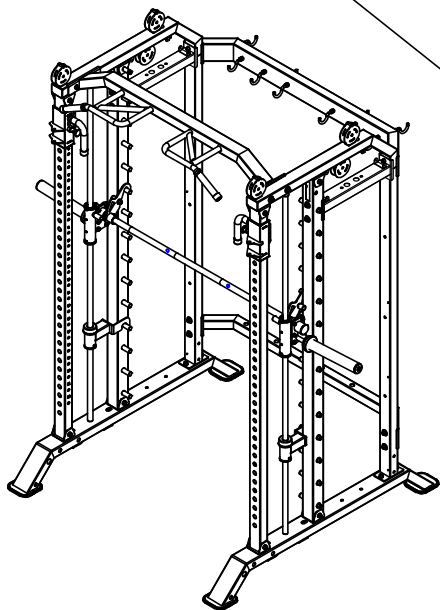
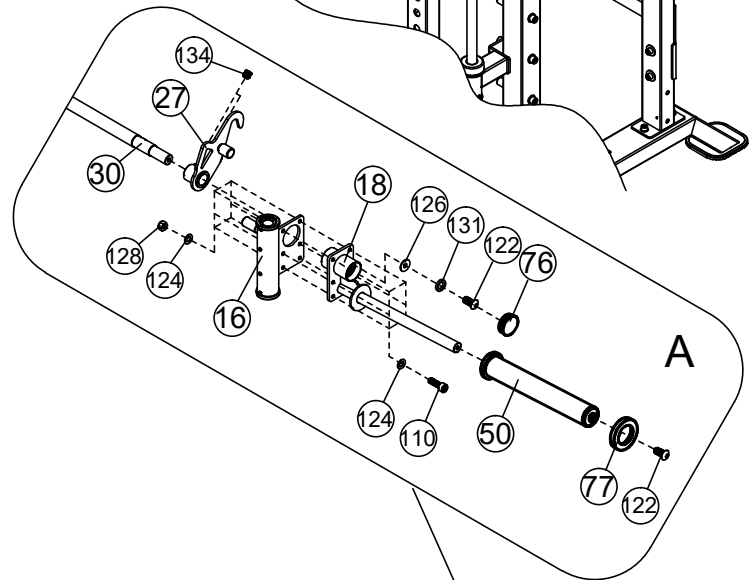
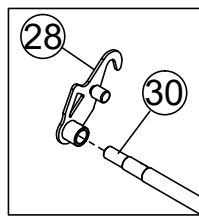
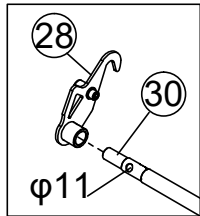
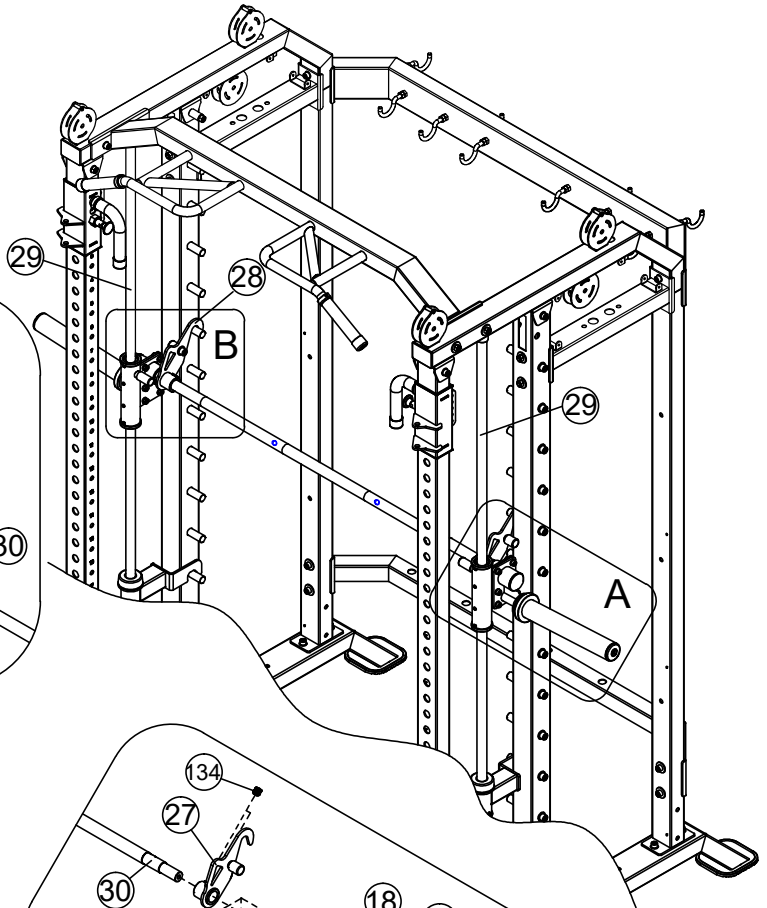
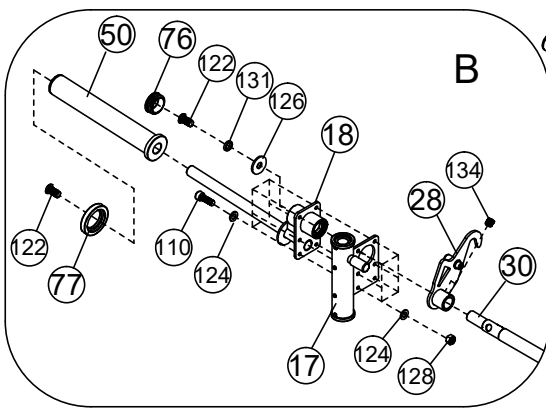


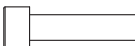





- (122)  ×4 M10×20
- (131)  ×2 Φ10
- (110)  ×12 M8×25
- (124)  | ×24 Φ8

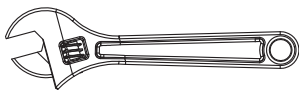
- (134)  ×4 M8×10
- (128)   ×12 M8
- (126)  | ×2 Φ30×Φ10.5



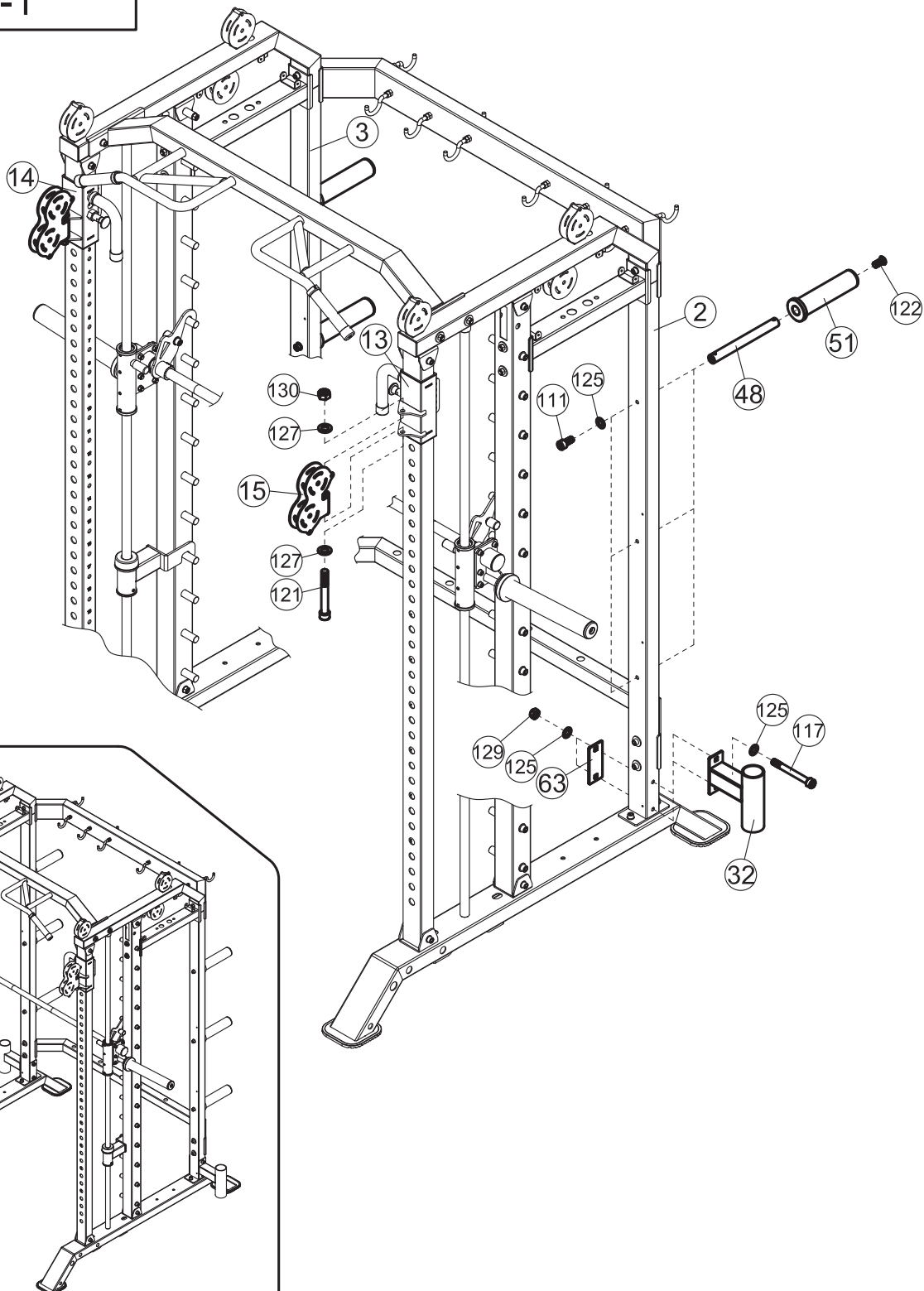
A-1  




121		x2	M12x95	117		x4	M10x90
127		x4	Φ12	129		x4	M10
130		x2	M12	125		x14	Φ10
111		x6	M10x20	122		x6	M10x20



A-1



119



x1 M10x125

125



x2 Φ10

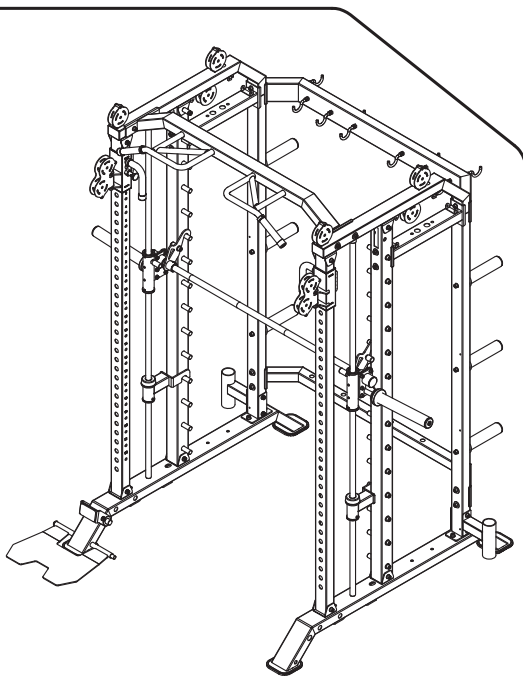
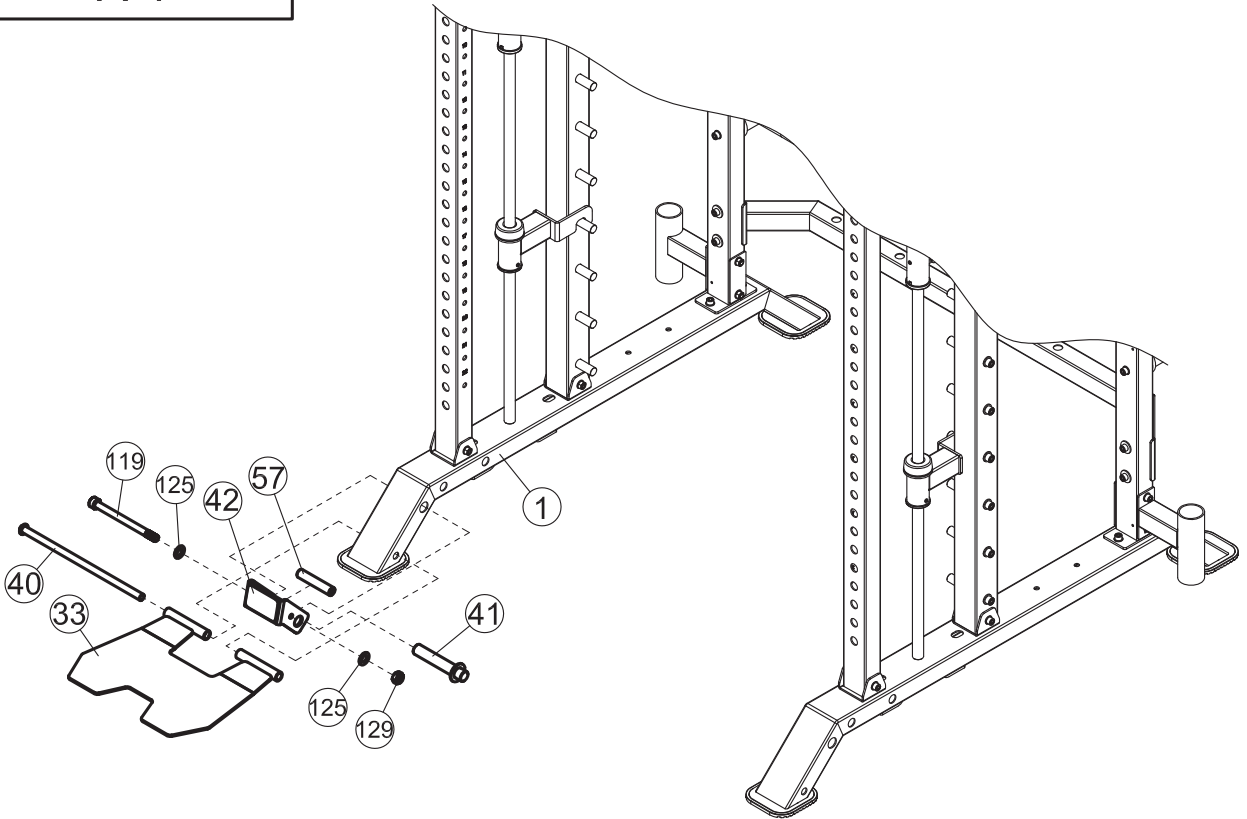
129



x1 M10



A-1



121



×1 M12×95

127



×2 Φ12

130



×1 M12

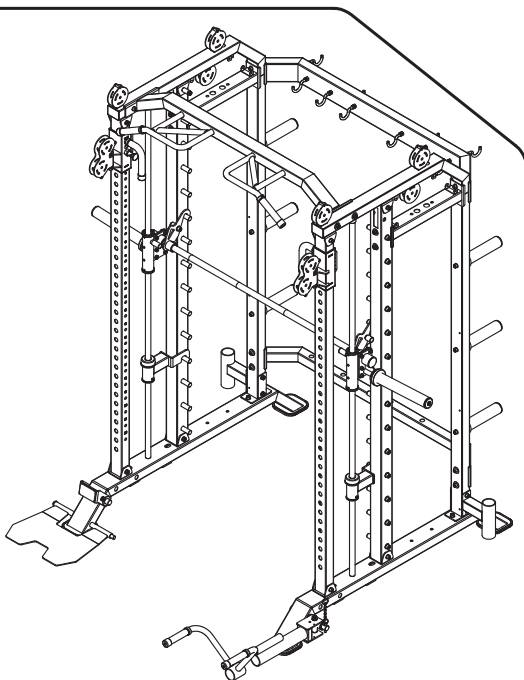
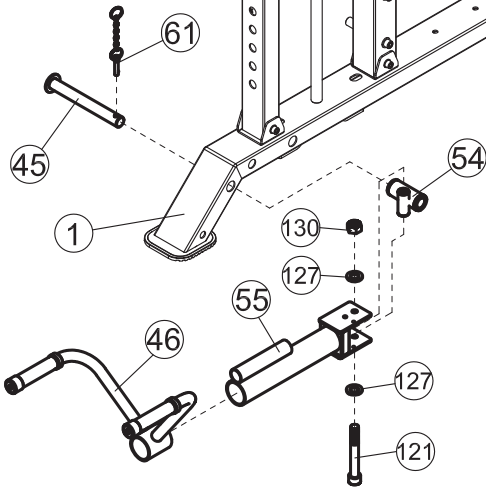
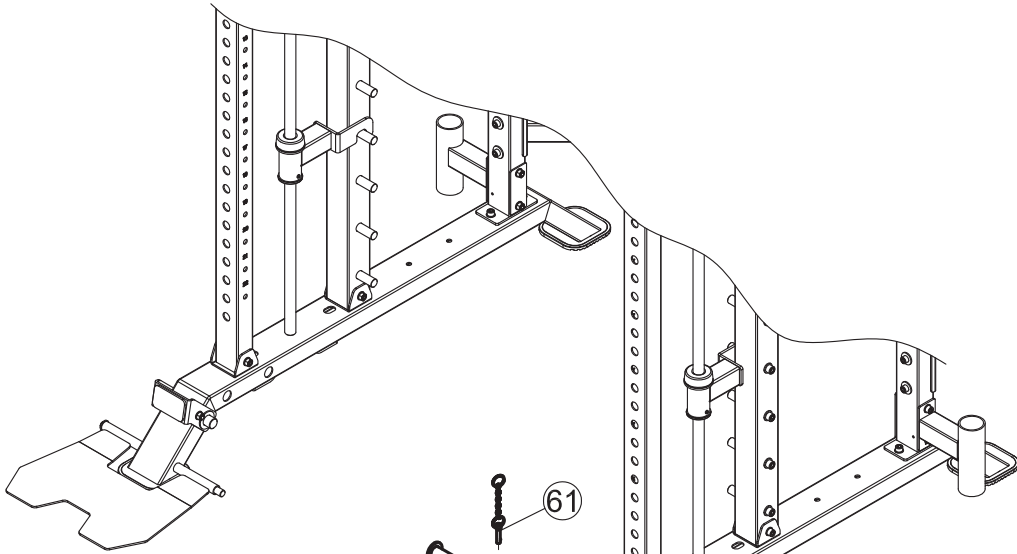
61



×1 Φ12×Φ8×50

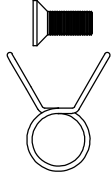


A-1





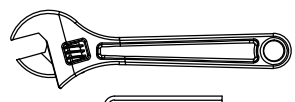
133



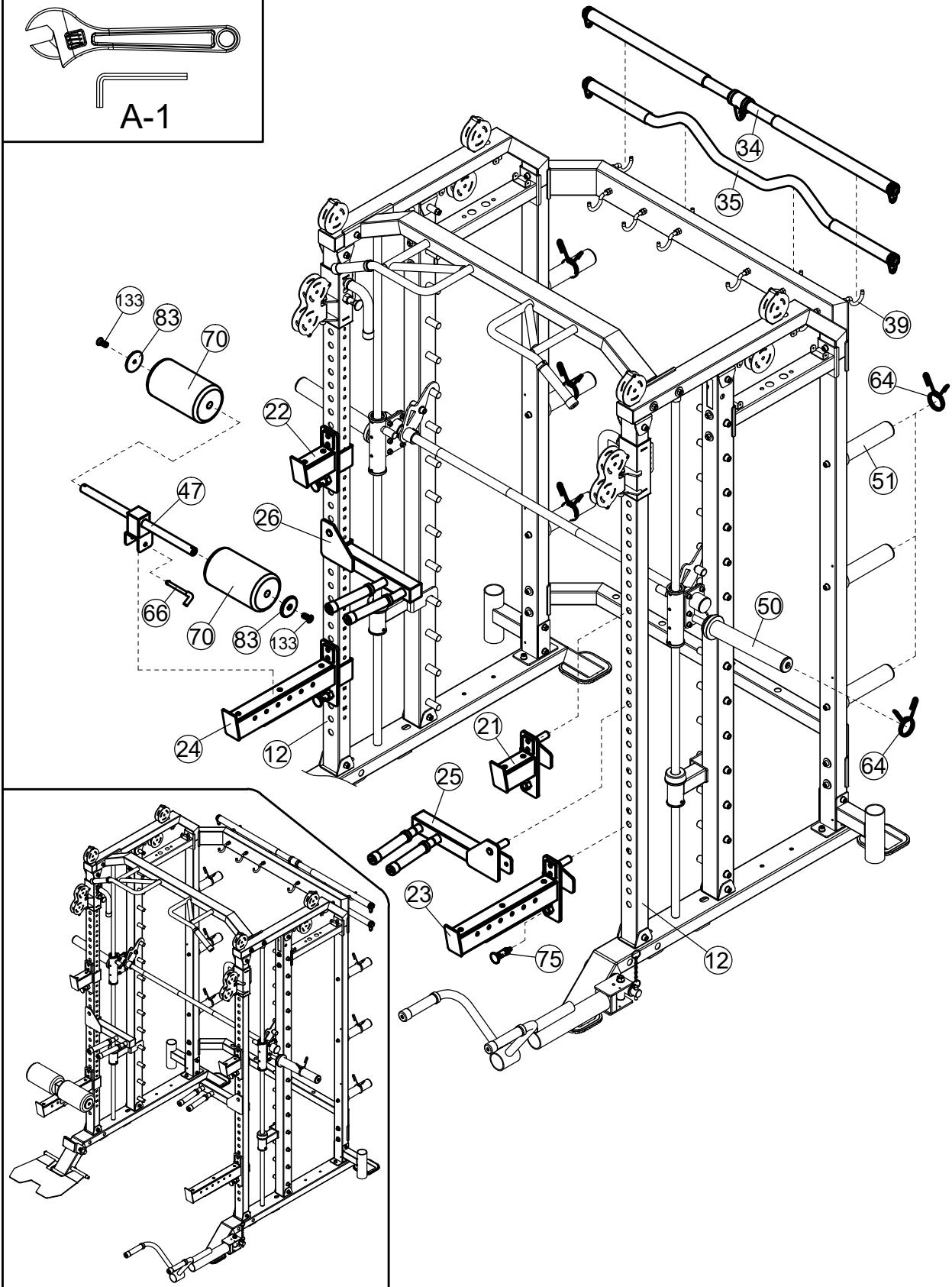
×2 M8×20

64

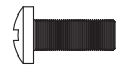
×8 Φ49



A-1



143

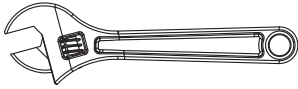


×12 M6×16

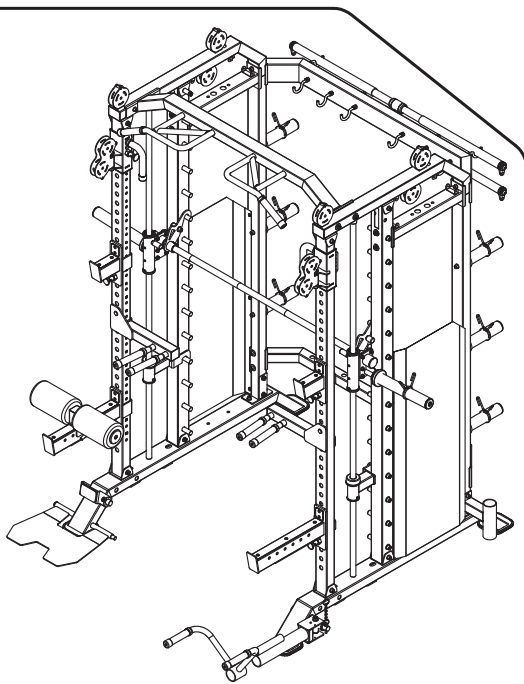
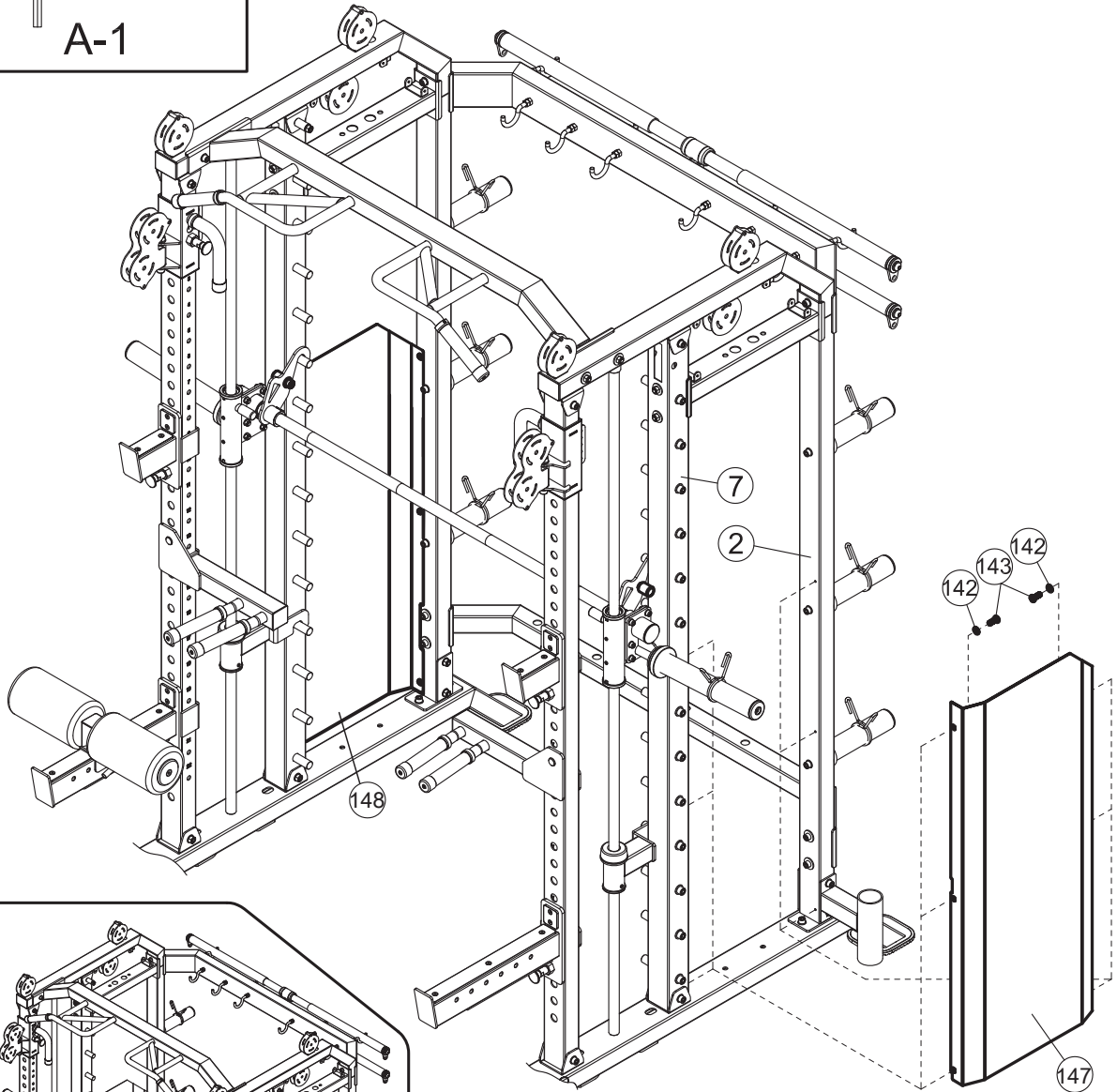
142

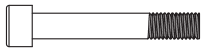


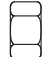



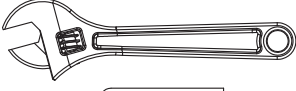
×12 Φ6



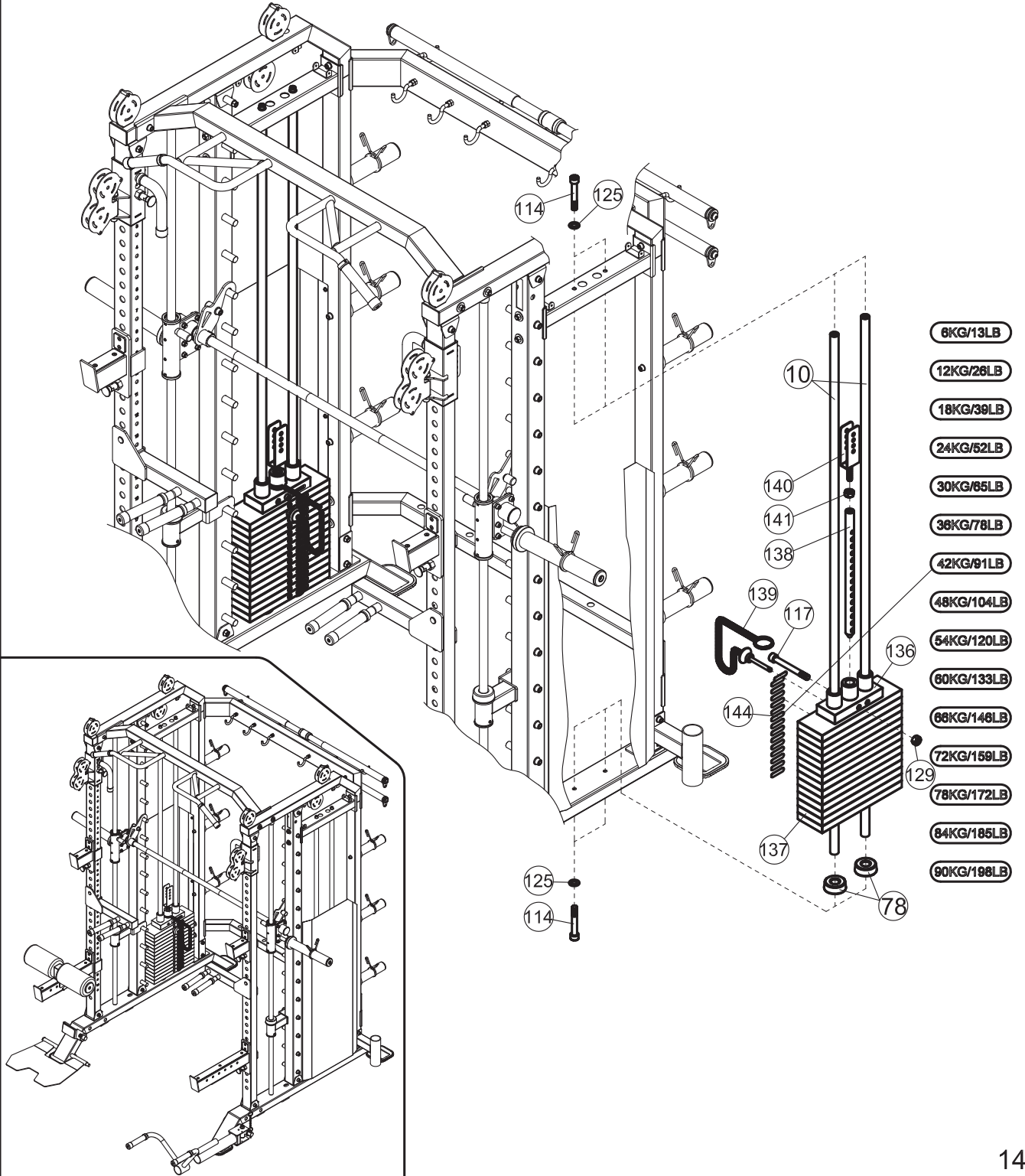
A-1

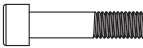
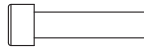







- |     |   |    |        |     |   |    |        |
|-----|---|----|--------|-----|---|----|--------|
| ①14 |  | x8 | M10x65 | ①17 |   | x2 | M10x90 |
| ①25 |  | x8 | Φ10    | ①41 |  | x2 | M12    |
| ①29 |  | x2 | M10    |     |   |    |        |



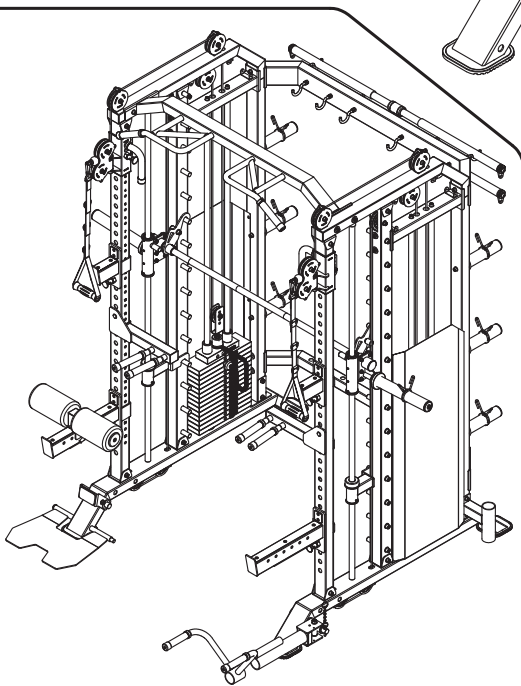
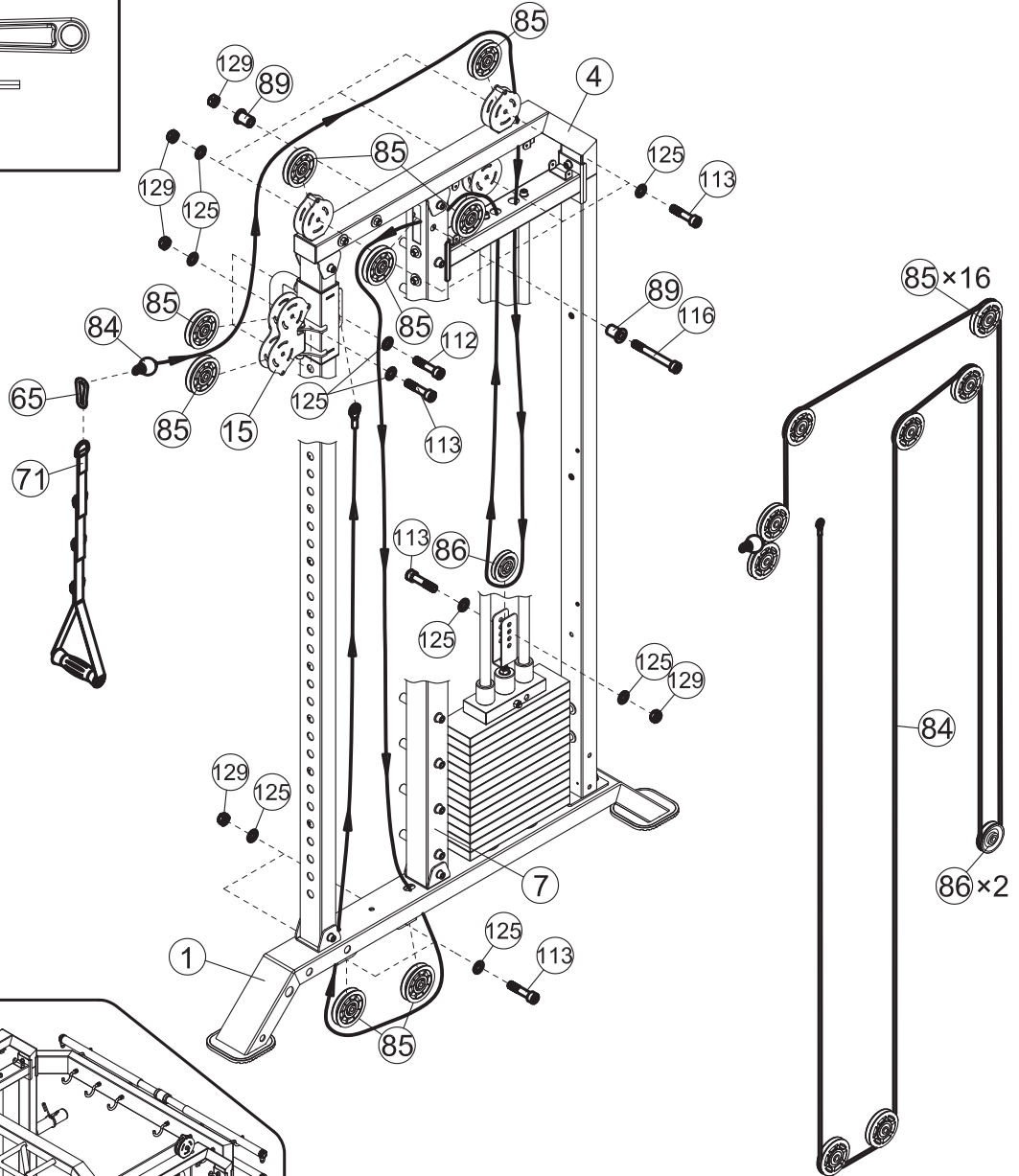
A-1



113		×16	M10×45	116		×2	M10×85
125		×36	Φ10	89		×4	Φ22×Φ10.2×25
129		×20	M10	65		×2	Φ8
112		×2	M10×35				



A-1



142



x16

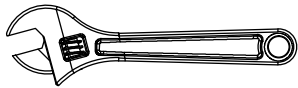
Φ6

109

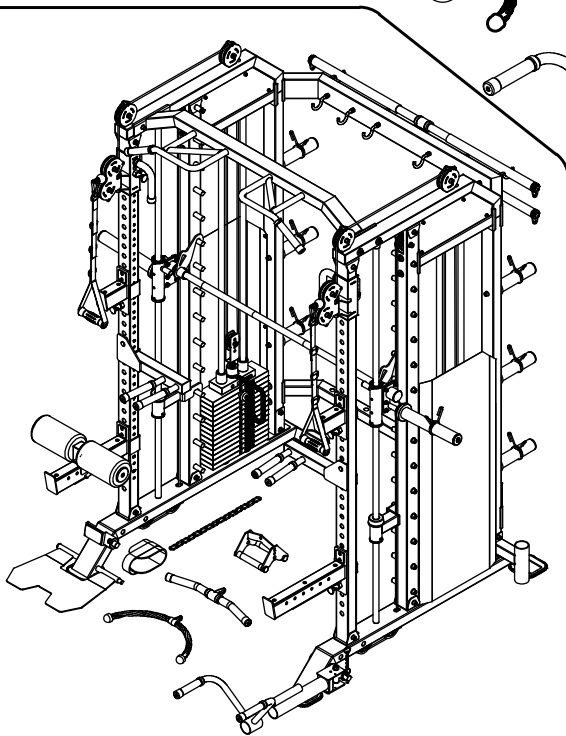
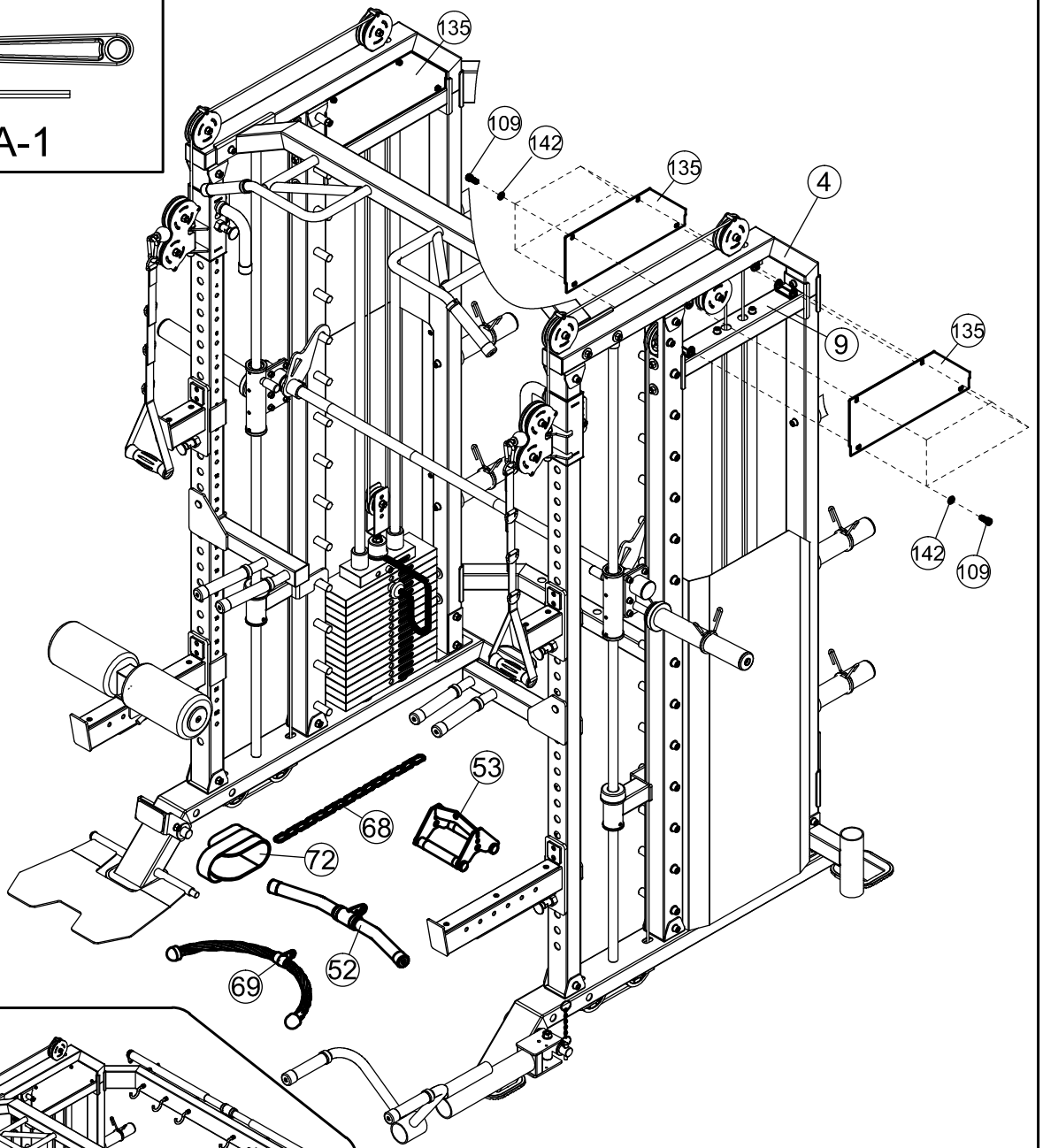


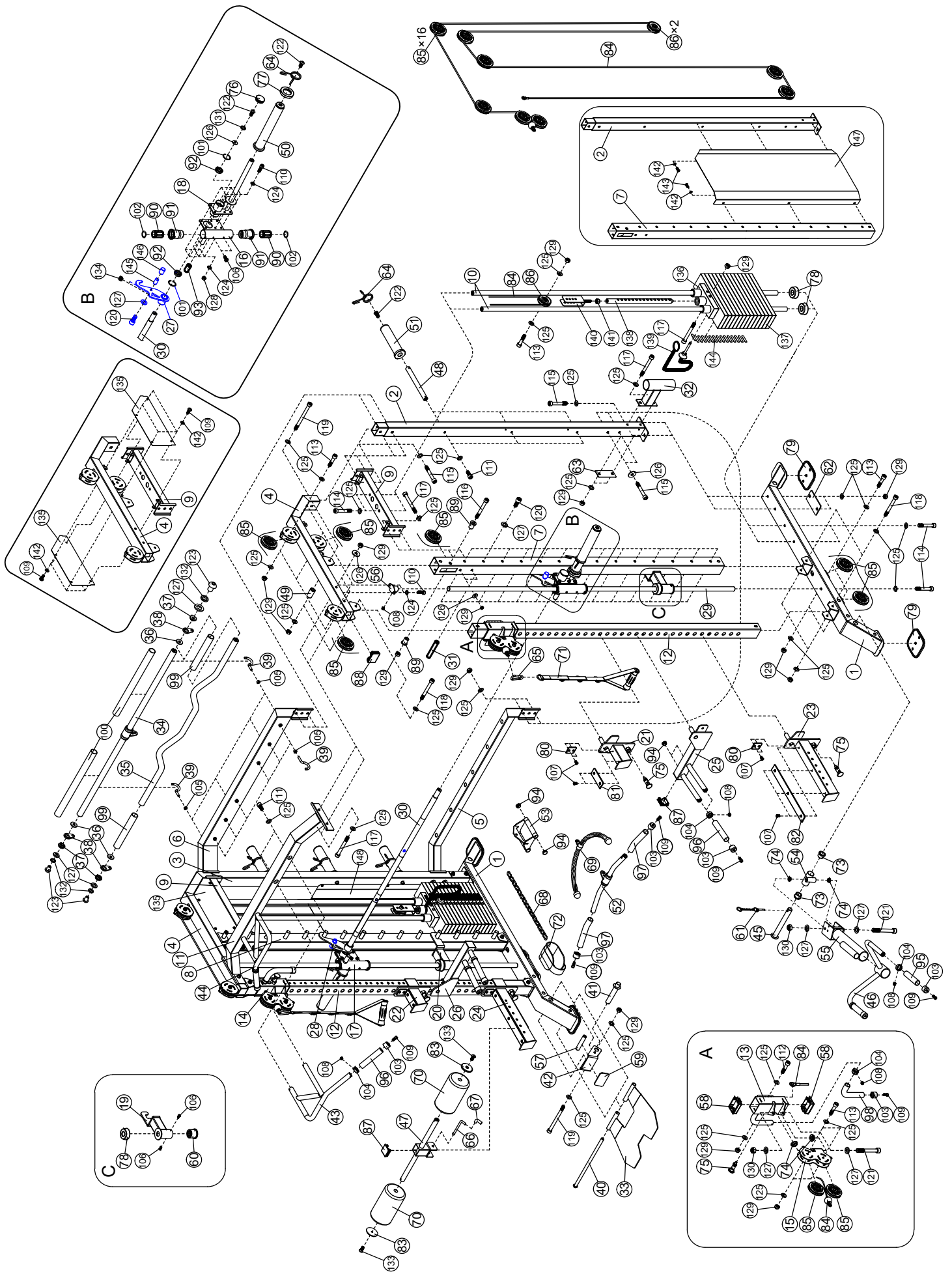
x16

M6x15



A-1





## PARTS LIST

KEY NO.	PART DESCRIPTION	SPEC	QTY
1	Base Frame		2
2	Rear Post L		1
3	Rear Post R		1
4	Top Frame		2
5	Connecting Frame Rear		1
6	Connecting Frame Rear		1
7	Intermediate Stand L	□70×2×1960	1
8	Intermediate Stand R	□70×2×1960	1
9	Upper connecting frame		2
10	Guide Rod Rear	Φ25×1738	4
11	Horizontal bar		1
12	Guide Shaft	□50×70×3×1960	2
13	Sliding frame L		1
14	Sliding frame R		1
15	Pulley Case		2
16	Mobile rack R		1
17	Mobile rack L		1
18	Weights Stow Rod		2
19	Safety hook Bracket L		1
20	Safety hook Bracket R		1
21	Short Safety Rack L		1
22	Short Safety Rack R		1
23	Long Safety Rack L		1
24	Long Safety Rack R		1
25	Dip Bar L		1
26	Dip Bar R		1
27	Hanging Bar L		1
28	Hanging Bar R		1
29	Guide rod	Φ25×1965	2
30	Weight Rod	Φ30×1215×M10	1
31	Hanging post	Φ20×115	28
32	Barbell Socket		2
33	Foot Pedal Set		1
34	Straight Bar (attachment)		1
35	Cambered Bar (attachment)		1
36	Washer	Φ38×Φ13×4	4
37	Bushing	Φ38×Φ13×12	4

## PARTS LIST

38	Rotating plate	$\Phi 26 \times \Phi 12 \times 38 \times 6$	4
39	Safety Hook	$\Phi 10 \times R20 \times M10$	10
40	Long latch		1
41	Fixed pedestal		1
42	Limit bracket	$101 \times 95 \times 50 \times 5$	1
43	Left Chin-up Bar		1
44	Right Chin-up Bar		1
45	Rotating Shaft		1
46	Handle		1
47	FOAM Frame		1
48	Weights Stow Rod		6
49	Spacer	$\Phi 20 \times \Phi 10.2 \times 32$	2
50	Long Spacer		2
51	Short Spacer		6
52	Small grip frame		1
53	V-type handle		1
54	Spacer		1
55	Rotating Frame		1
56	Fixing frame		2
57	Spacer	$\Phi 20 \times \Phi 10.2 \times 101$	1
58	Slide Guide	$\square 60 \times 80 \times 2.0 \times \square 50 \times 70$	4
59	Rubber Stopper	$95 \times 55 \times 5$	1
60	Safety hook Bracket Guides	$\Phi 55 \times \Phi 46 \times \Phi 27 \times 41$	2
61	Pop pin		1
62	Bracket	$130 \times 70 \times 3$	2
63	Bracket	$120 \times 50 \times 3$	2
64	Spring Clip	$\Phi 49$	8
65	Hook	$\Phi 8$	2
66	L spring pins	$\Phi 10 \times 115$	1
67	Rubber sleeve	$\Phi 13 \times \Phi 9.5 \times 58$	1
68	15-Joint Chain	15	1
69	Rope	$\Phi 29 \times 695$	1
70	FOAM	$\Phi 125 \times \Phi 22 \times 215$	2
71	Nylon Strap Iso-Handle		2
72	Ankle Strap		1
73	Bushing	$\Phi 38 \times \Phi 34 \times \Phi 25 \times 22$	2
74	Bushing	$\Phi 25 \times \Phi 21.8 \times \Phi 12.2 \times 8$	6
75	Moving Lock Pin		6



## PARTS LIST

76	Rectangular End Cap	Φ50	2
77	Rubber Stopper	Φ78xΦ47.5x13	2
78	Rubber Stopper	Φ62×Φ24.5×25	6
79	Floor End Cap	□135×135×8	4
80	Rack Liner	52×45×5	4
81	Rack Liner	120×45×5	2
82	Rack Liner	415×45×5	2
83	plate	Φ68×5.7	2
84	Double pull cable	Φ5	2
85	Pulley with Bearings	Φ96	16
86	Small Pulley with Bearing	Φ75×25	2
87	Rectangular End Cap	□50	3
88	Rectangular End Cap	□70×50	2
89	Bushing	Φ22×Φ10.2×25	4
90	Linear Motion Bearing	LB254058	4
91	Sliding Rod Guide	Φ55×Φ46×Φ40×73	4
92	Deep groove ball bearing	61905	4
93	Tube End Cap	Φ19×42	2
94	Rectangular End Cap	Φ25	8
95	Dips Handle	Φ23×130	2
96	Dips Handle	Φ23×150	6
97	Dips Handle	Φ23×180	2
98	Dips Handle	Φ23×200	2
99	Dips Handle	Φ30×3×200	2
100	Dips Handle	Φ30×3×500	2
101	Hole circlip	42	4
102	Hole circlip	d0=40	4
103	Decorative cover	Φ33.5×Φ6.6×25	12
104	Retaining ring	Φ34.5×Φ26.5×14×M6	10
105	Hex nuts	M10	10
106	Screw	ST4.0×9	8
107	Allenlen BoltBolt	M6×12(8.8)	18
108	Set screw	M6×6	12
109	Hexagon socket button head screws	M6×15	28
110	Hexagon socket button head screws	M8×25/8.8	16
111	Hexagon socket button head screws	M10×20	10
112	Hexagon socket button head screws	M10×35	2
113	Hexagon socket button head screws	M10×45	16

## PARTS LIST

114	Hexagon socket button head screws	M10×65	10
115	Hexagon socket button head screws	M10×70/8.8	12
116	Hexagon socket button head screws	M10×85	2
117	Hexagon socket button head screws	M10×90	14
118	Hexagon socket button head screws	M10×95	6
119	Hexagon socket button head screws	M10×125	3
120	Hexagon socket button head screws	M12×25	30
121	Hexagon socket button head screws	M12×95	3
122	Allen Bolt	M10×20	10
123	Allen Bolt	M12×40	4
124	Washer	8	28
125	Washer	10	106
126	Washer	Φ30×Φ10.5×2.5	14
127	Washer	12	40
128	Nut	M8	12
129	Nut	M10	51
130	Nut	M12	3
131	Washer	10	2
132	Washer	12	4
133	Allen Bolt	M8×20	2
134	Set screw	M8×10	4
135	Protective cover	435×178×1	4
136	Top Weight Plate	198×76×33	2
137	Weight Plate	330×102×25 (6KG)	28
138	Selector Rod	Φ25×450 (14+1)	2
139	Weight Selector Pin		2
140	Pulley Case		2
141	Hex nuts	M12	2
142	Washer	6	28
143	Cross slot head screw	M6×16	12
144	Weight Plate Sticker (90kg)	51×13	2
145	Limit post	Φ18×32×M12	2
146	Tube End Cap	Φ18×Φ25×30	2
147	Weight Stack Cover L	1100×438×60×1.0	1
148	Weight Stack Cover R	1100×438×60×1.0	1
	Allen wrench	3#	1
	Allen wrench	4#	1
	Allen wrench	5#	1
	Allen wrench	6#	1
	Allen wrench	8#	1
	Allen wrench	10#	1



GARLANDO SPA  
Via Regione Piemonte, 32 - Zona Industriale D1  
15068 - Pozzolo Formigaro (AL) - Italy  
[contact@toorxprofessional.it](mailto:contact@toorxprofessional.it)  
[www.toorxprofessional.it](http://www.toorxprofessional.it)