

**TOORX**  
PROFESSIONAL LINE

# INSTRUCTION



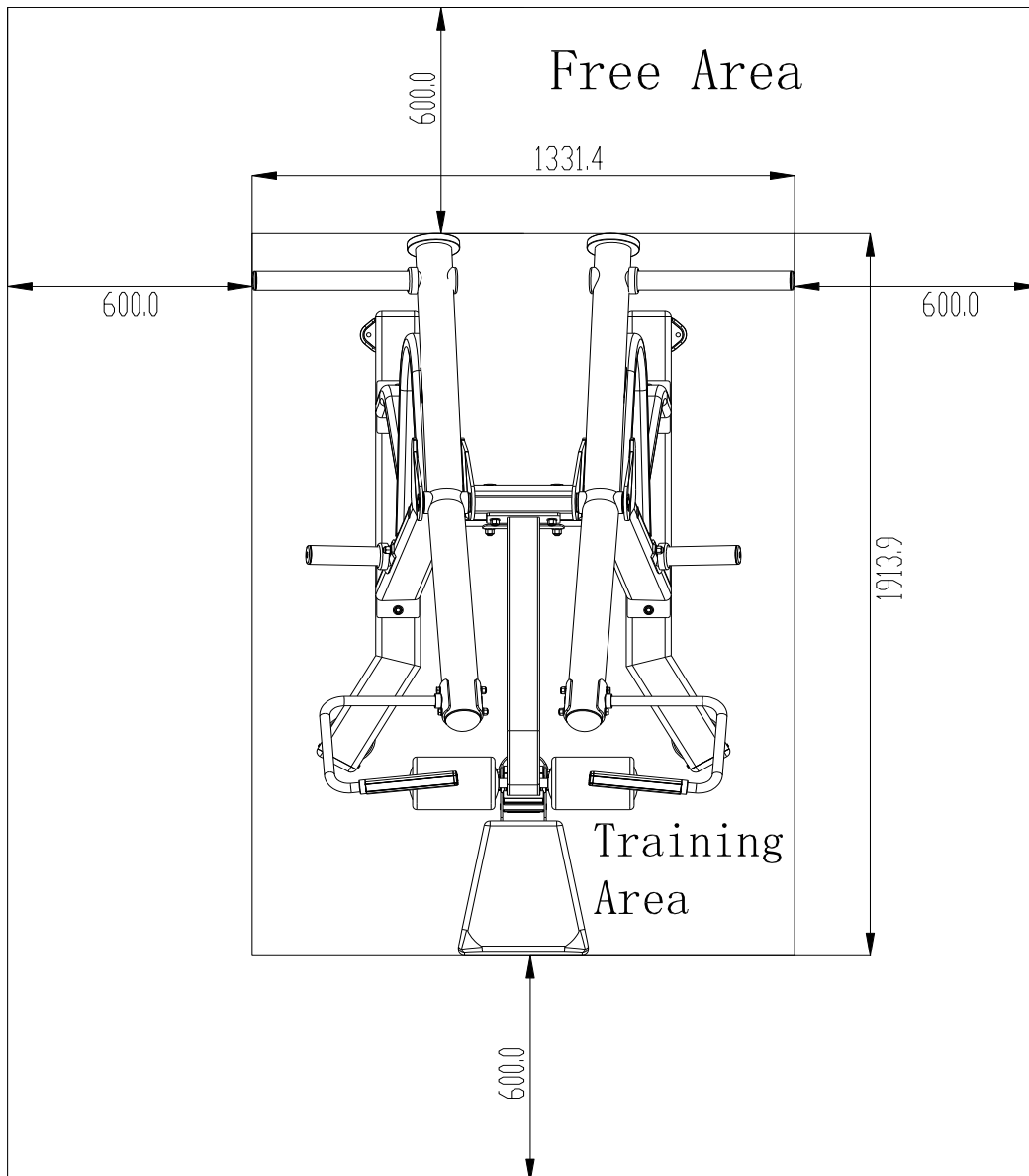
# FWX5600



Cod : GRLDTOORXFWX5600

Rev : 00

Ed : 10/19



## Specifications

Class: S

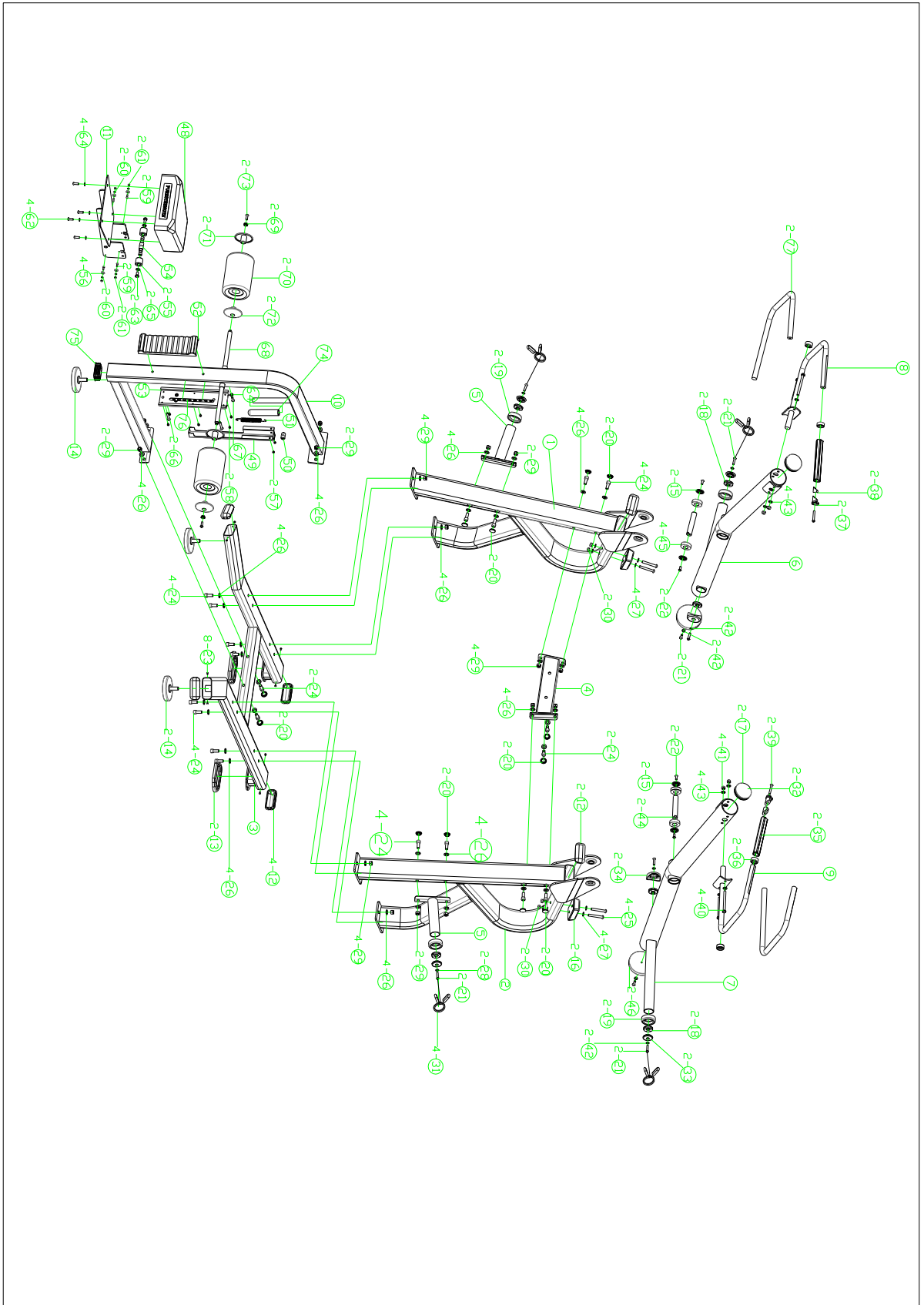
Maximum Wt. Capacity: 130 kg/286 IBS

Maximum User Weight: 135 kg/297 IBS

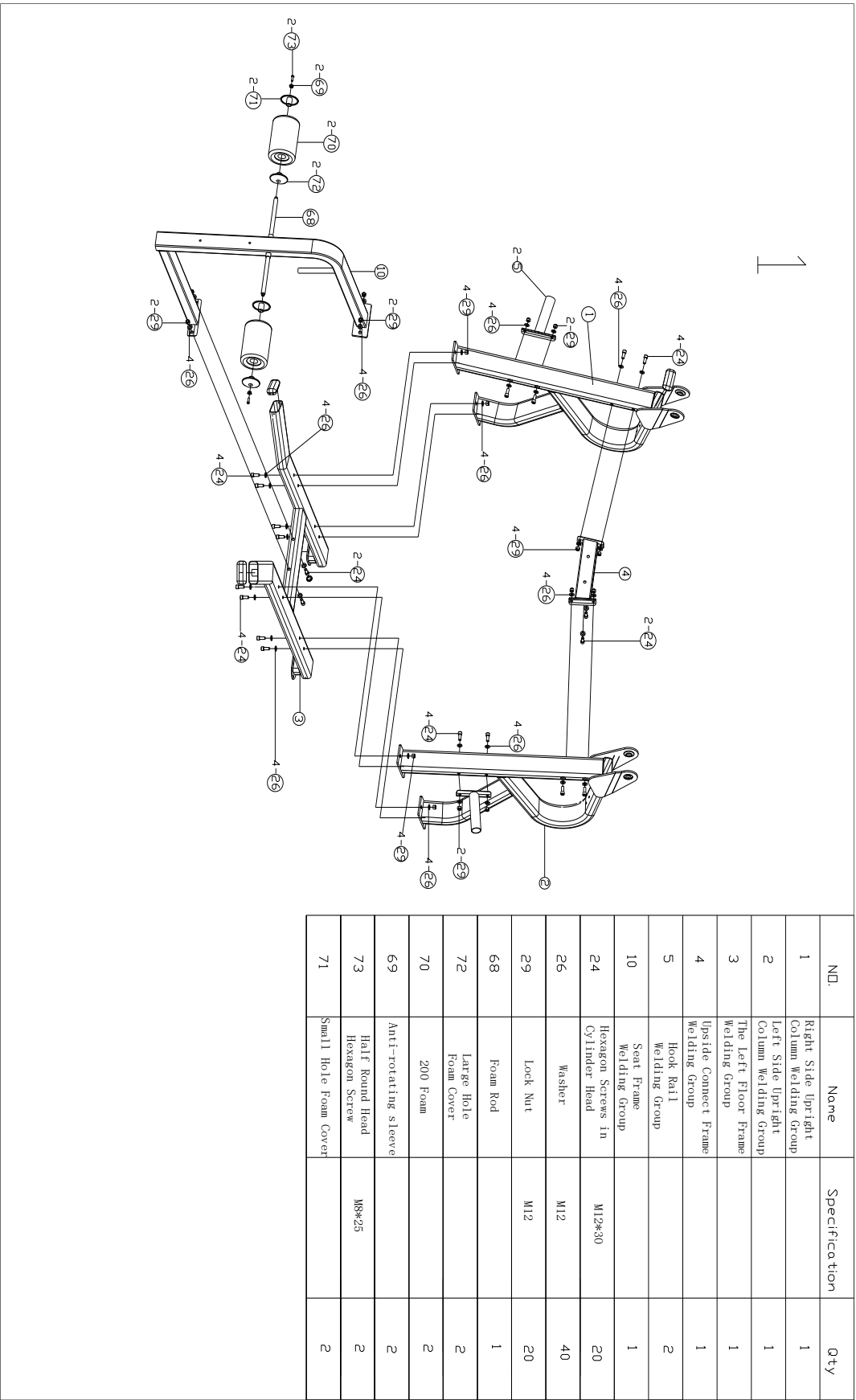
Product Total Surface: 1914\*1331

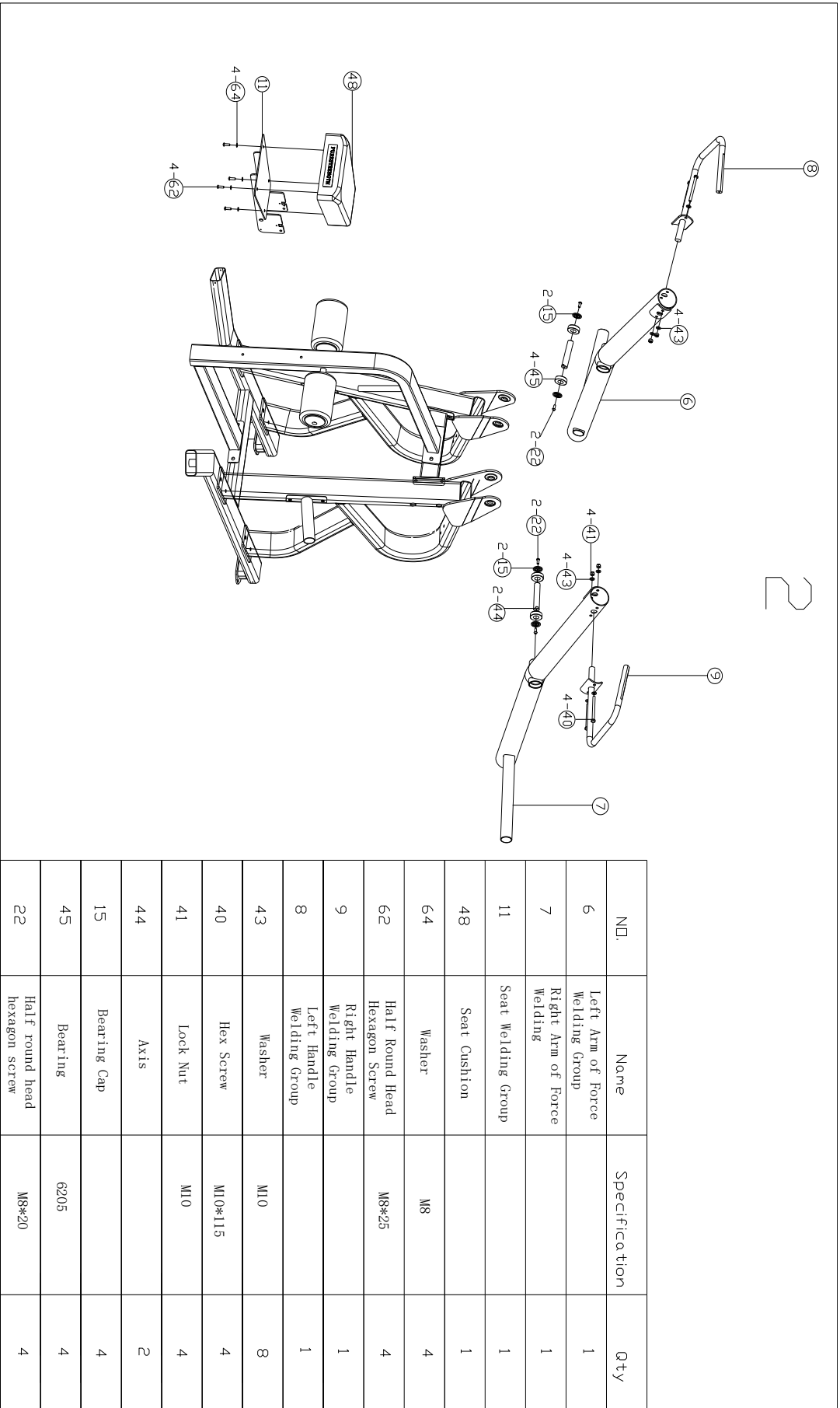
Product Total Mass: 125 kg/275 IBS

# Exploded diagram



# Illustration step





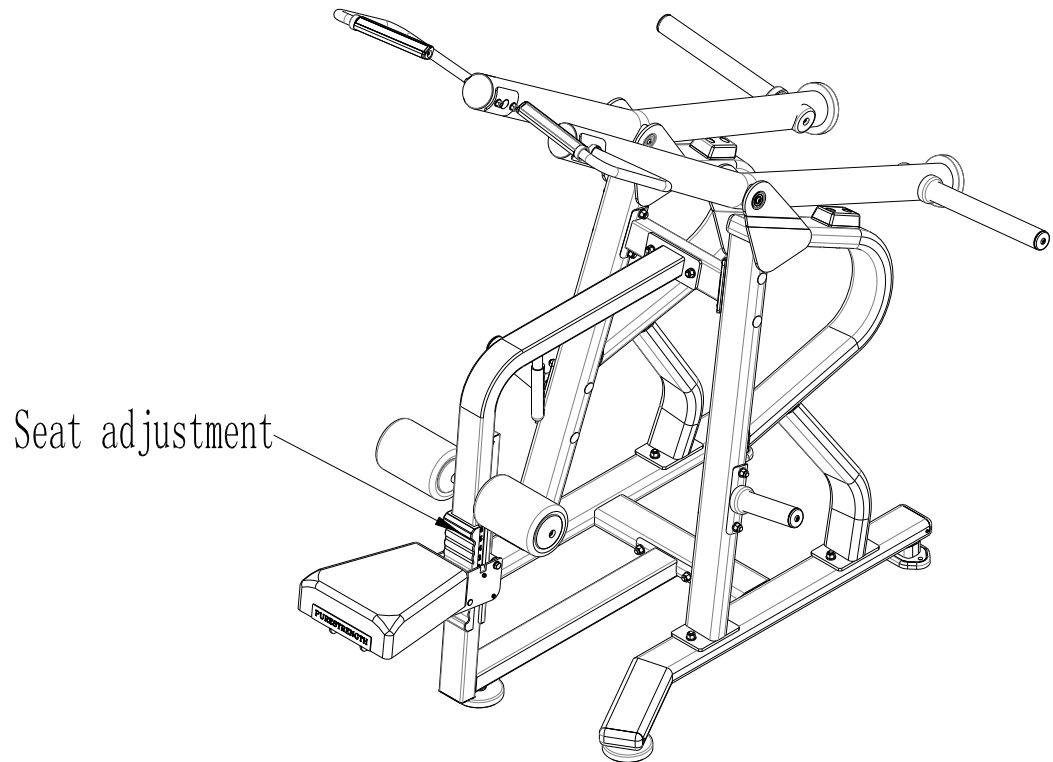
NO.	Name	Specification	Qty
6	Left Arm of Force Welding Group		1
7	Right Arm of Force Welding		1
11	Seat Welding Group		1
48	Seat Cushion		1
64	Washer	M8	4
62	Half Round Head Hexagon Screw	M8*25	4
9	Right Handle Welding Group		1
8	Left Handle Welding Group		1
43	Washer	M10	8
40	Hex Screw	M10*115	4
41	Lock Nut	M10	4
44	Axis		2
15	Bearing Cap		4
45	Bearing	6205	4
22	Half round head hexagon screw	M8*20	4

# Adjustment Instructions

## Adjustment Instructions of Functional Trainer

### Adjustment of Seat

Hold the cushion and adjust to the right position





GARLANDO SPA  
Via Regione Piemonte, 32 - Zona Industriale D1  
15068 - Pozzolo Formigaro (AL) - Italy  
[www.toorx.it](http://www.toorx.it) - [info@toorx.it](mailto:info@toorx.it)