

TOORX
PROFESSIONAL LINE

INSTRUCTION



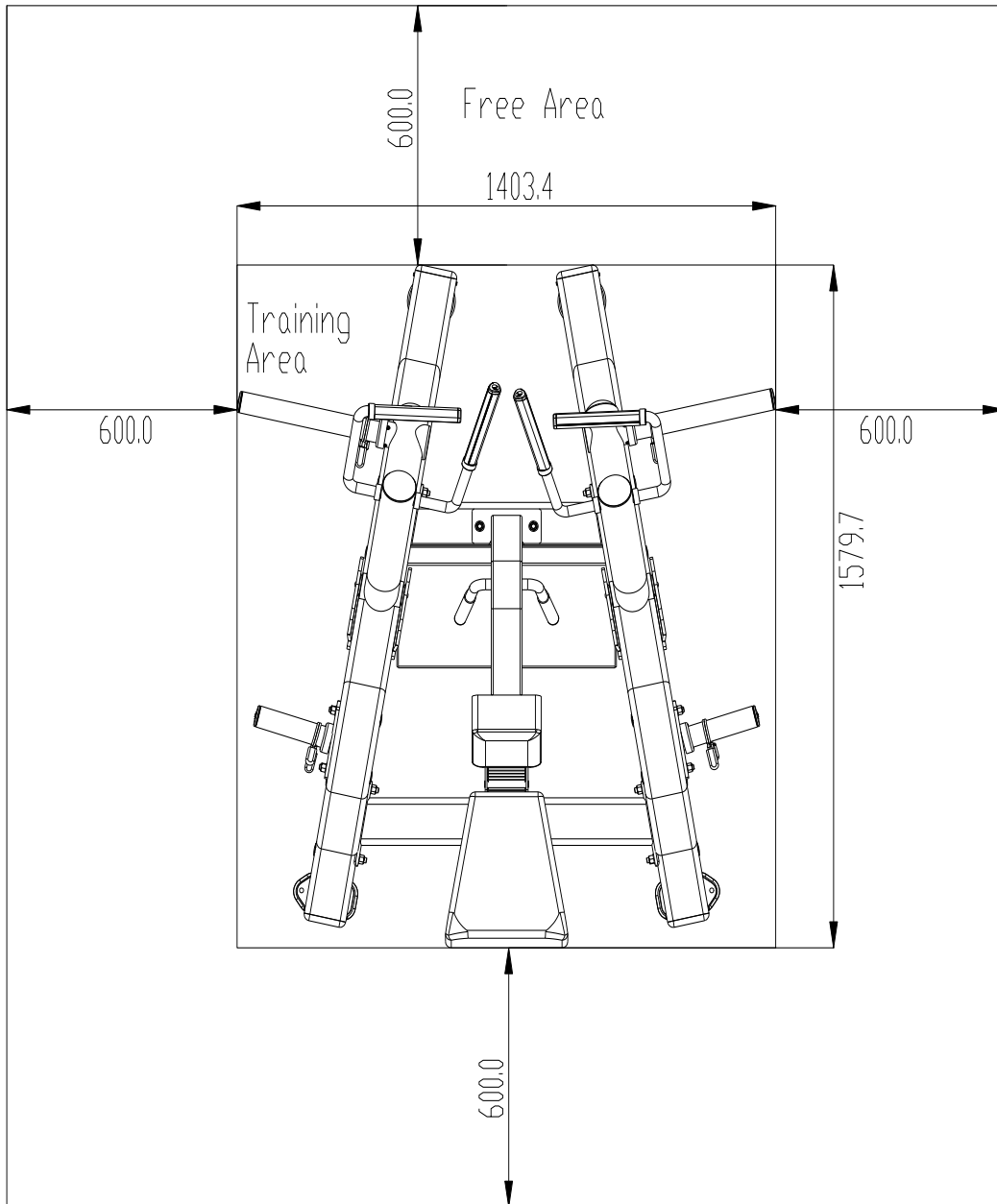
FWX5200



Cod : GRLDTOORXFWX5200

Rev: 00

Ed : 10/19



Specifications

Class: S

Maximum Wt. Capacity: 130 kg/286 IBS

Maximum User Weight: 135 kg/297 IBS

Product Total Surface: 1321*1410

Product Total Mass: 135 kg/297 IBS

Exploded diagram

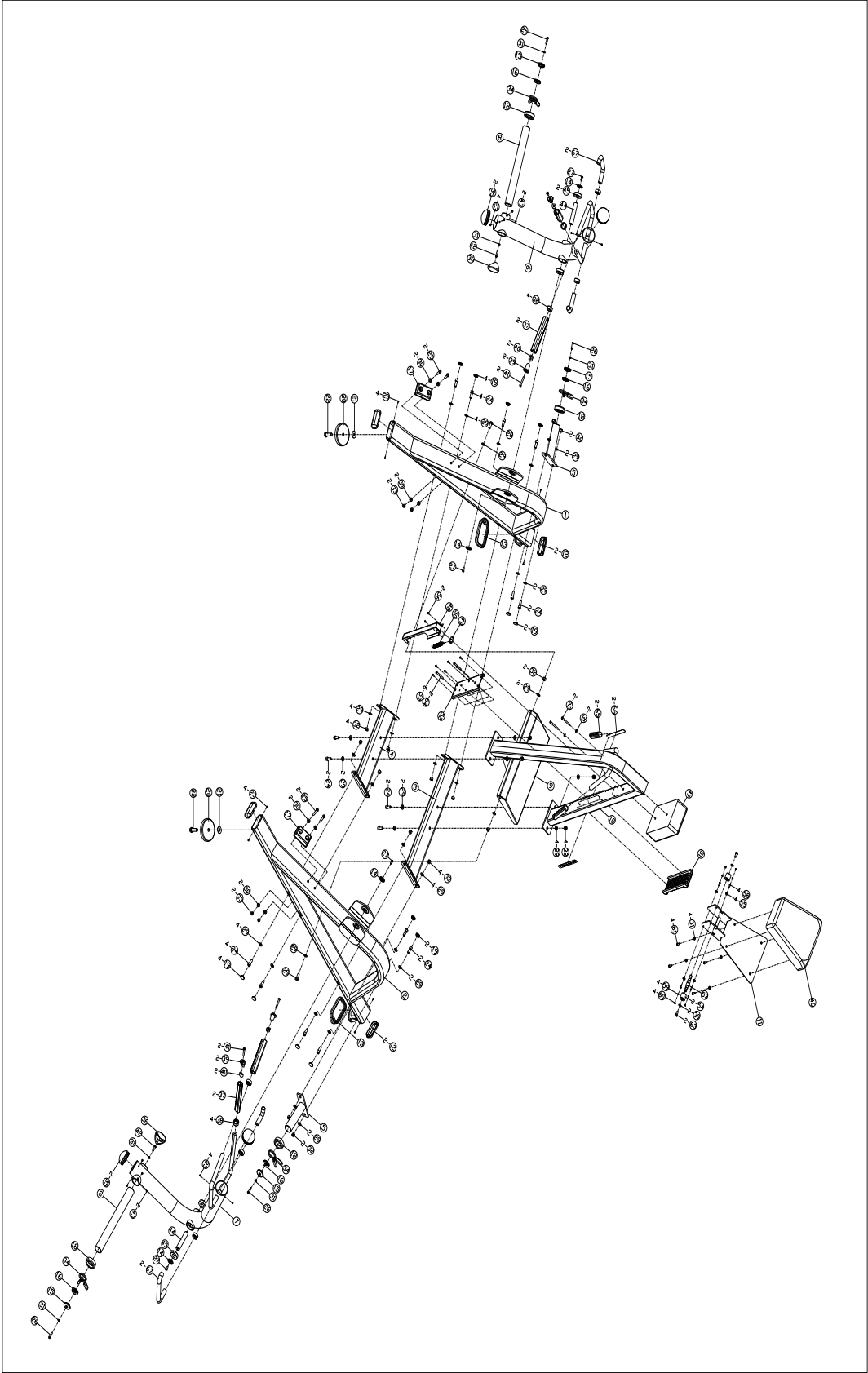
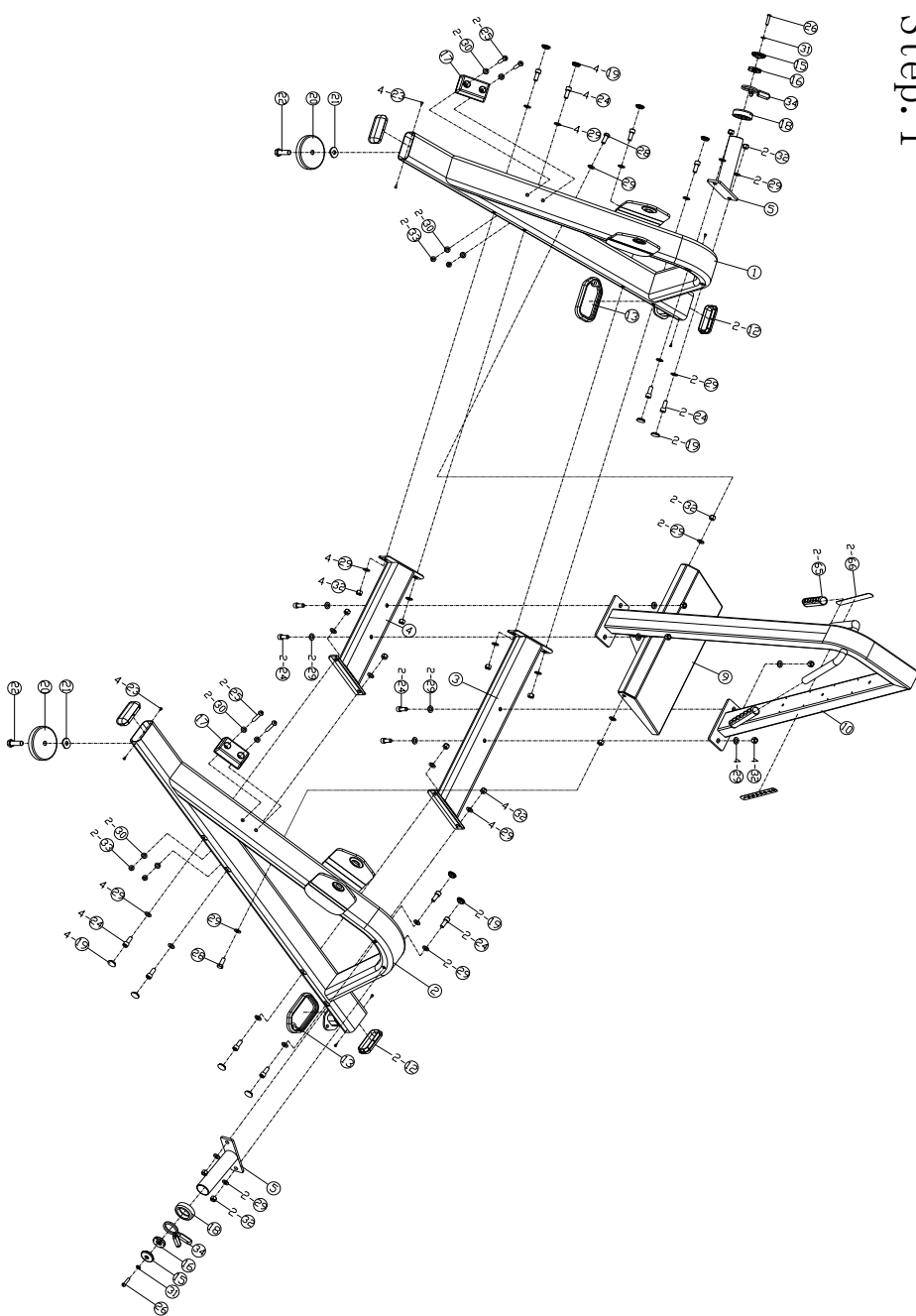


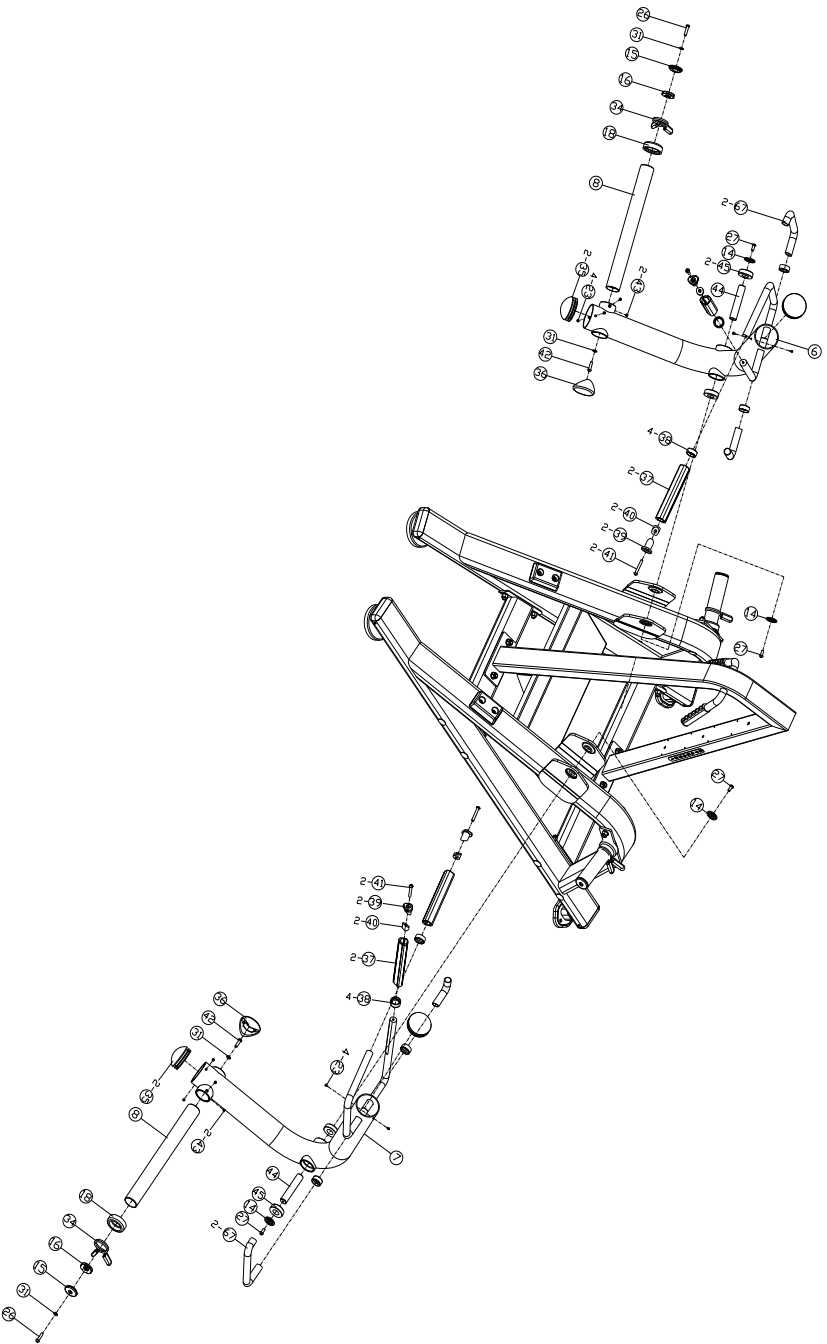
Illustration step

Step. 1



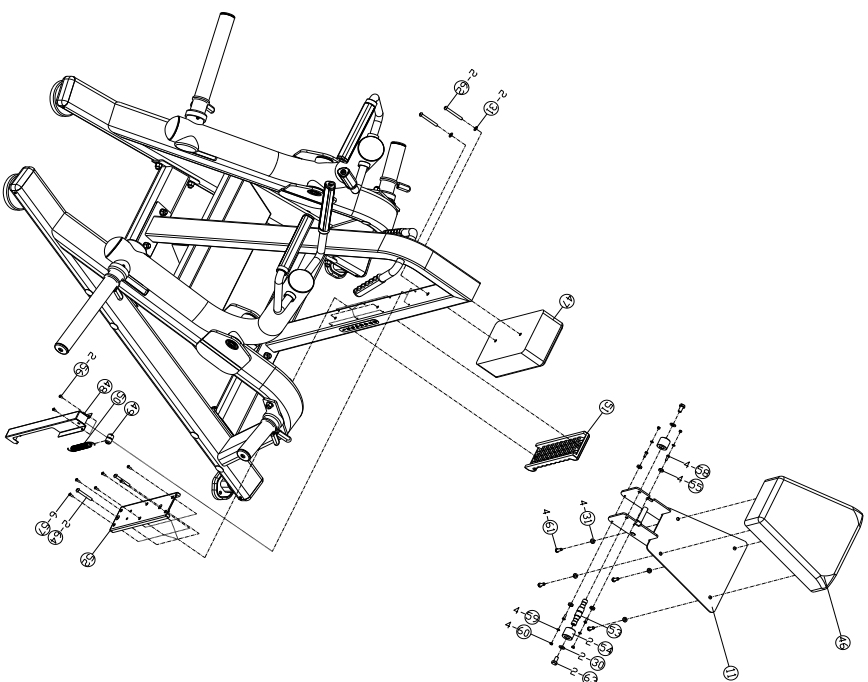
No.	Name	Spe	Qty
1	Left Upright Frame		1
2	Right Upright Frame		1
3	Long Floor Frame		1
4	Short Floor Frame		1
5	hook Ball Welding		2
9	hook Ball Welding		1
10	Foot Pad Welding Group		1
12	Square tube Plug	50*110	4
13	Foot Pad		2
15	Round Tube Plug	750	2
16	sharpened nut	246*48	2
17	Flat Shank Pad		2
18	Foot Pad	50*70	14
19	Tube Plug	230*8	4
20	Foot Pad		2
21	Foot Pad		2
22	hex Screw	M16*50L	2
23	Gross head self-tapping screw	ST4. 2*40	8
24	Screw	M12*30L	16
25	Half Round head Hexagon Screw	M10*75L	4
26	Half Round head Hexagon Screw	M8*35L	2
28	hex Screw	M12*30L	2
29	Washer	M12	36
30	Washer	M10	8
31	Washer	M8	2
32	Lock Nut	M12	18
33	Lock Nut	M10	4
34	Electro Large Jump Ring		2
65	head pattern		2
66	Digital Labeling		2

Step. 2



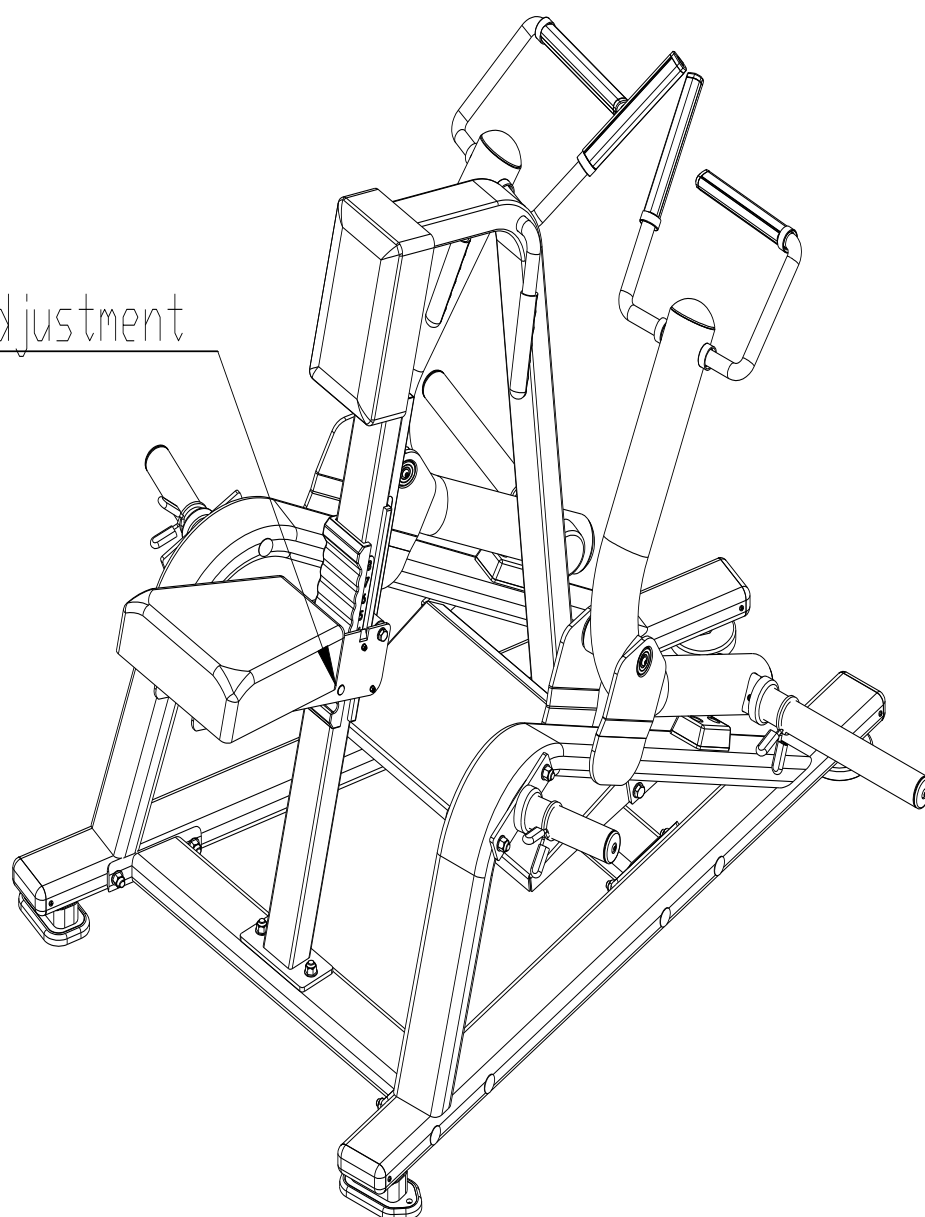
No.	Name	Spe	Qty
6	Left Arm Frame		1
7	Right Arm Frame		1
8	Barbell Hook Ball		2
14	Bearing Cap		4
15	Round Tube Plug	50	2
16	aluminum nut	464M8	2
18	Foot Pad	50*70	2
23	Crack head self-tapping screw	S14_2*10	8
26	Half Round head Hexagon Screw	M8*35L	2
31	Washer	M8	4
34	Electric Large Jump Ring		2
35	Round Tube Plug	289	4
36	Round Tube Plug	250	2
37	Aluminum Handle Cap		4
38	Aluminum Handle Cap		8
39	Aluminum Handle Cap		4
40	Aluminum Handle Cap		4
41	Half Round Head Hexagon Screw	M8*55L	4
42	Half Round Head Hexagon Screw	M8*30L	2
43	Jackcrew	M8*6L	4
44	Axis of Rotation		2
45	High Precision Ball Bearings205		4
67	Rubber Sleeve		4

Step. 3



No.	Name	Spe	Qty
11	Seat Cushion Frame		1
30	Washer	M10	2
31	Washer	M8	6
46	Seat Cushion		1
47	Seat Cushion		1
48	Spring Sheet Metal		1
49	Spring Sheet Metal Welding Stick		1
50	Black Spring		1
51	Adjusting Pad		1
52	Plate of Hook		1
53	Handle Cap		1
54	Shaped Small Tubes		2
55	62Bearing		4
56	Cross head self-tapping screw	M5*8L	2
57	Cross head self-tapping screw	M5*12L	6
58	Cross head self-tapping screw	M5*16L	4
59	Washer	M5	4
60	Lock Nut	M5	4
61	Half Round Head Hexagon Screw	M8*25L	4
62	Half Round Head Hexagon Screw	M8*70L	2
63	Hex Screw	M10*20L	2
64	Half Round Head Hexagon Screw	M8*80L	2

Seat Adjustment





GARLANDO SPA
Via Regione Piemonte, 32 - Zona Industriale D1
15068 - Pozzolo Formigaro (AL) - Italy
www.toorx.it - info@toorx.it