

TCORX
FITNESS IN MOTION

INSTRUCTION



WBX300



Rev : 00

Ed : 02/17

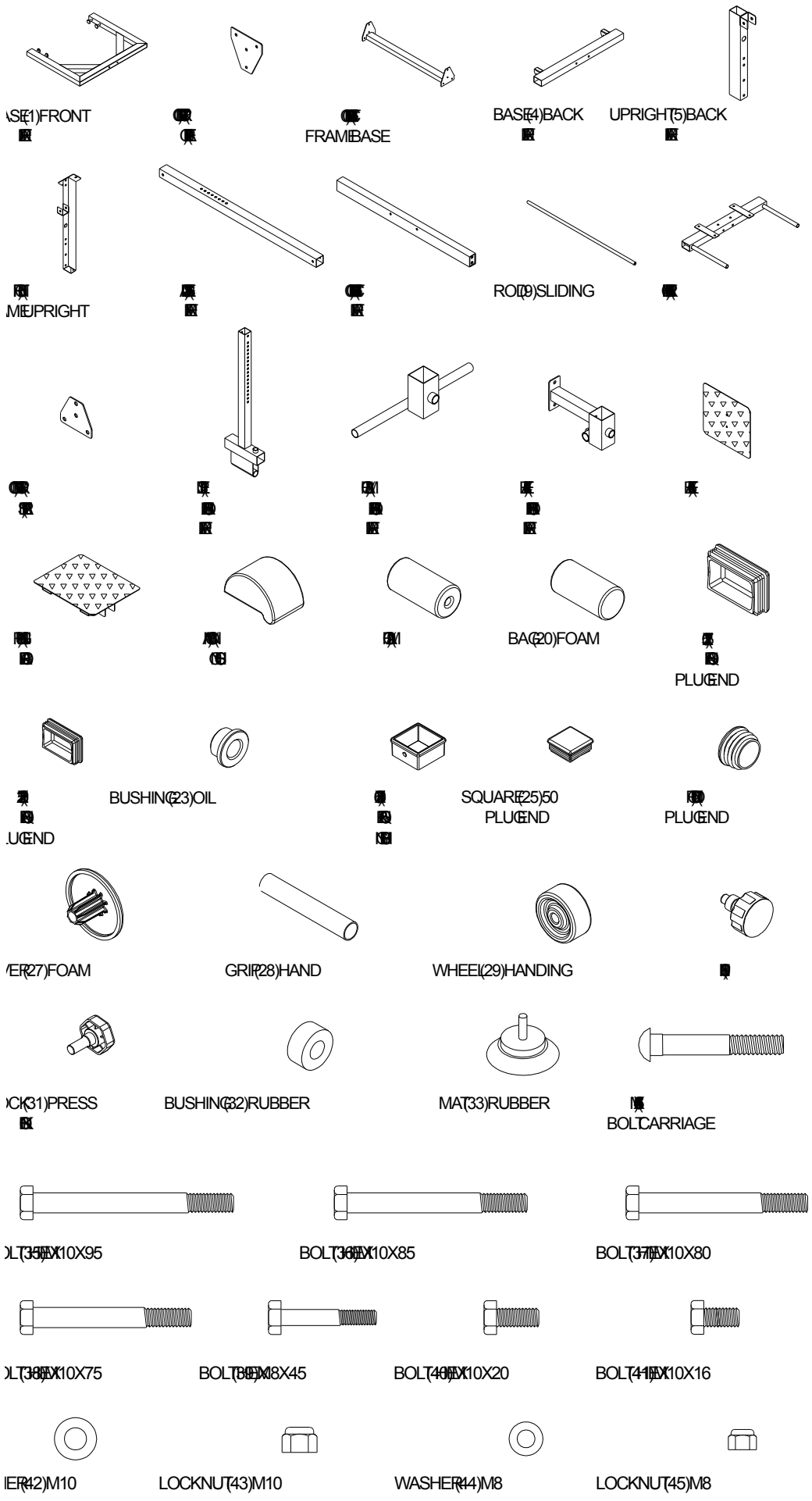


PART LIST

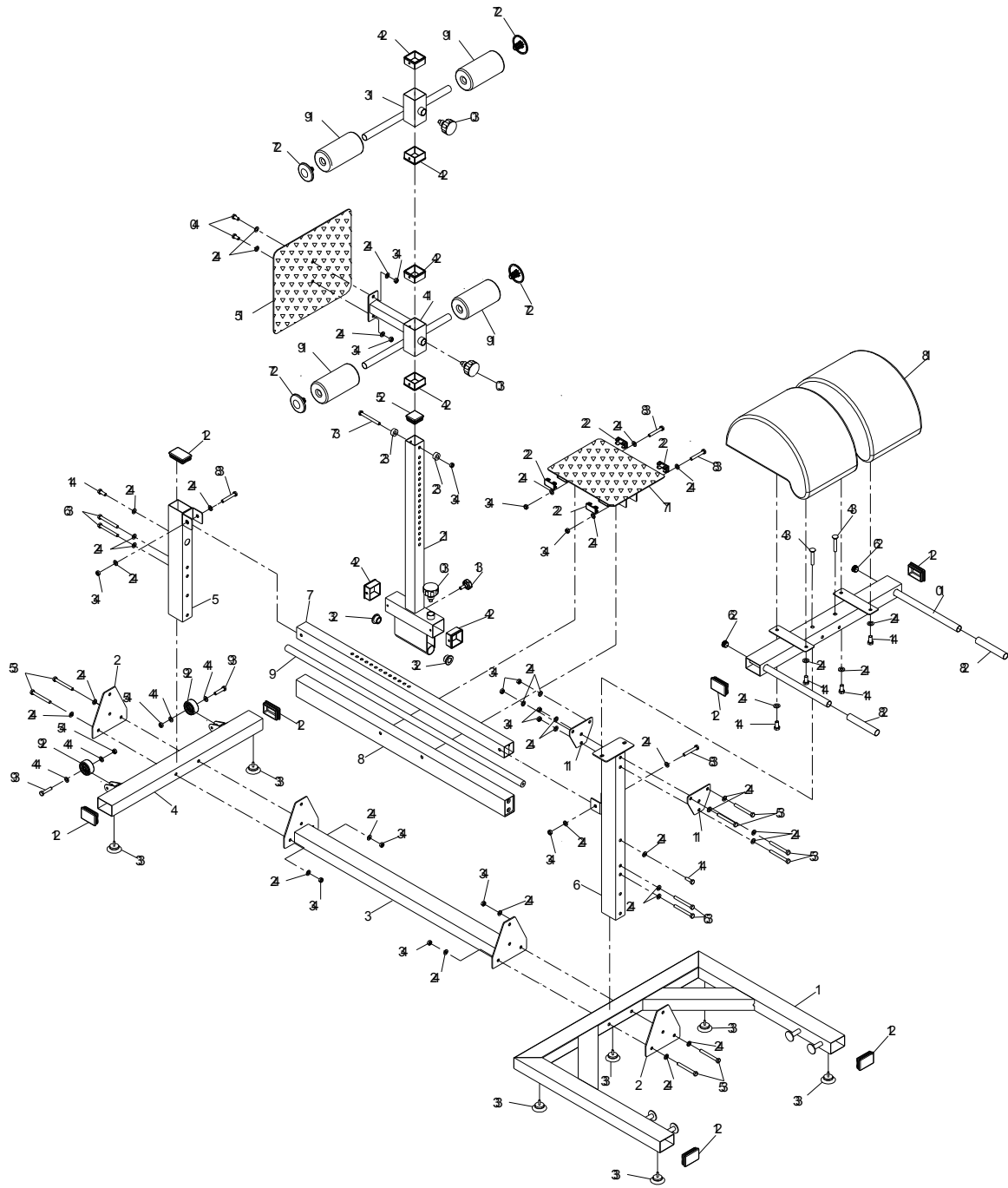
NUMBER	NAME	COUNT
1	FRONT BASE FRAME	1
2	CONNECTOR PLATE(BIG)	2
3	CONNECTING BASE FRAME	1
4	BACK BASE FRAME	1
5	BACK UPRIGHT FRAME	1
6	FRONT UPRIGHT FRAME	1
7	ADJUSTABLE FRAME	1
8	CONNECTING FRAME	1
9	SLIDING ROD	1
10	CANTILEVER	1
11	CONNECTOR PLATE(SMALL)	2
12	SLIDE ADJUSTABLE FRAME	1
13	FOAM ADJUSTABLE FRAME	1
14	BAFFLE ADJUSTABLE FRAME	1
15	BAFFLE	1
16	NONE	0
17	RUNNING BOARD	1
18	ANCON CUSHION	2
19	FOAM	4
20	FOAM BAG	4
21	50x75 SQUARE END PLUG	7
22	25x50 SQUARE END PLUG	4
23	OIL BUSHING	2
24	60X50 SQUAER BUSHING	6
25	50 SQUARE END PLUG	1
26	ROUND END PLUG	2
27	FOAM COVER	4
28	HAND GRIP	2
29	HANDING WHEEL	2
30	POPPIN	3
31	PRESS LOCK KNOB	1
32	RUBBER BUSHING	2
33	RUBBER MAT	7
34	M10X65 CARRIAGE BOLT	2
35	M10X95 HEX BOLT	12
36	M10X85 HEX BOLT	4

37	M10X80 HEX BOLT	1
38	M10X75 HEX BOLT	4
39	M8X45 HEX BOLT	2
40	M10X20 HEX BOLT	2
41	M10X16 HEX BOLT	6
42	M10 WASHER	48
43	M10 LOCKNUT	21
44	M8 WASHER	4
45	M8 LOCKNUT	2

PART DRAW

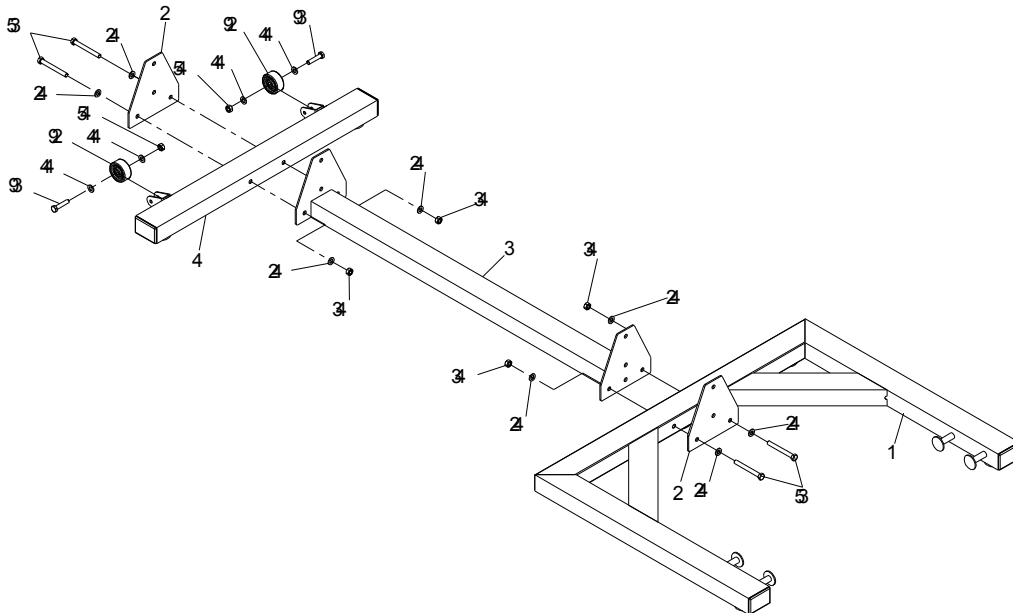


EXPLODED DRAW



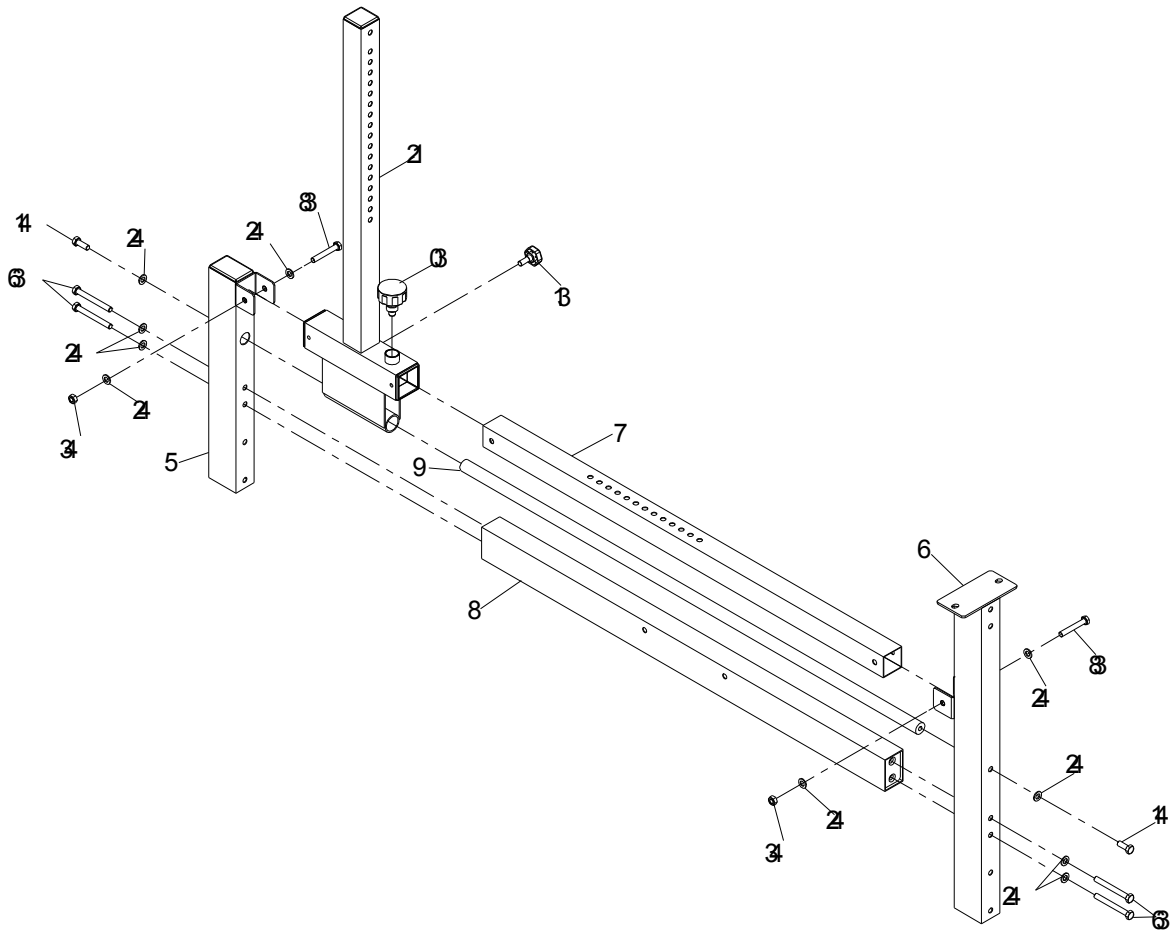
STEP 1

- A. ATTACH CONNETTING BASE FRAME (3) TO FRONT BASE FRAME (1) WITH CONNECTOR PLATE (BIG)(2) USING TWO PCS M10X65 CARRIAGE BOLT (35) , 4PCS M10 WASHER (42) AND 2PCS M10 LOCKNUT (43) AS SHOWN
- B. ATTACH BACK BASE FRAME (4) TO CONNETTING BASE FRAME (3) WITH CONNECTOR PLATE (BIG)(2) USING TWO PCS M10X65 CARRIAGE BOLT (35) , 4PCS M10 WASHER (42) AND 2PCS M10 LOCKNUT (43) AS SHOWN
- C. ASSEMBLE HANDLING WHEEL (29) INTO THE BRACKET OF BACK BASE FRAME (4) BY USING 2PCS M8X45 HEX BOLT (39) , 4PCS M8 WASHER (44) AND 2PCS M8 LOCKNUT (45)



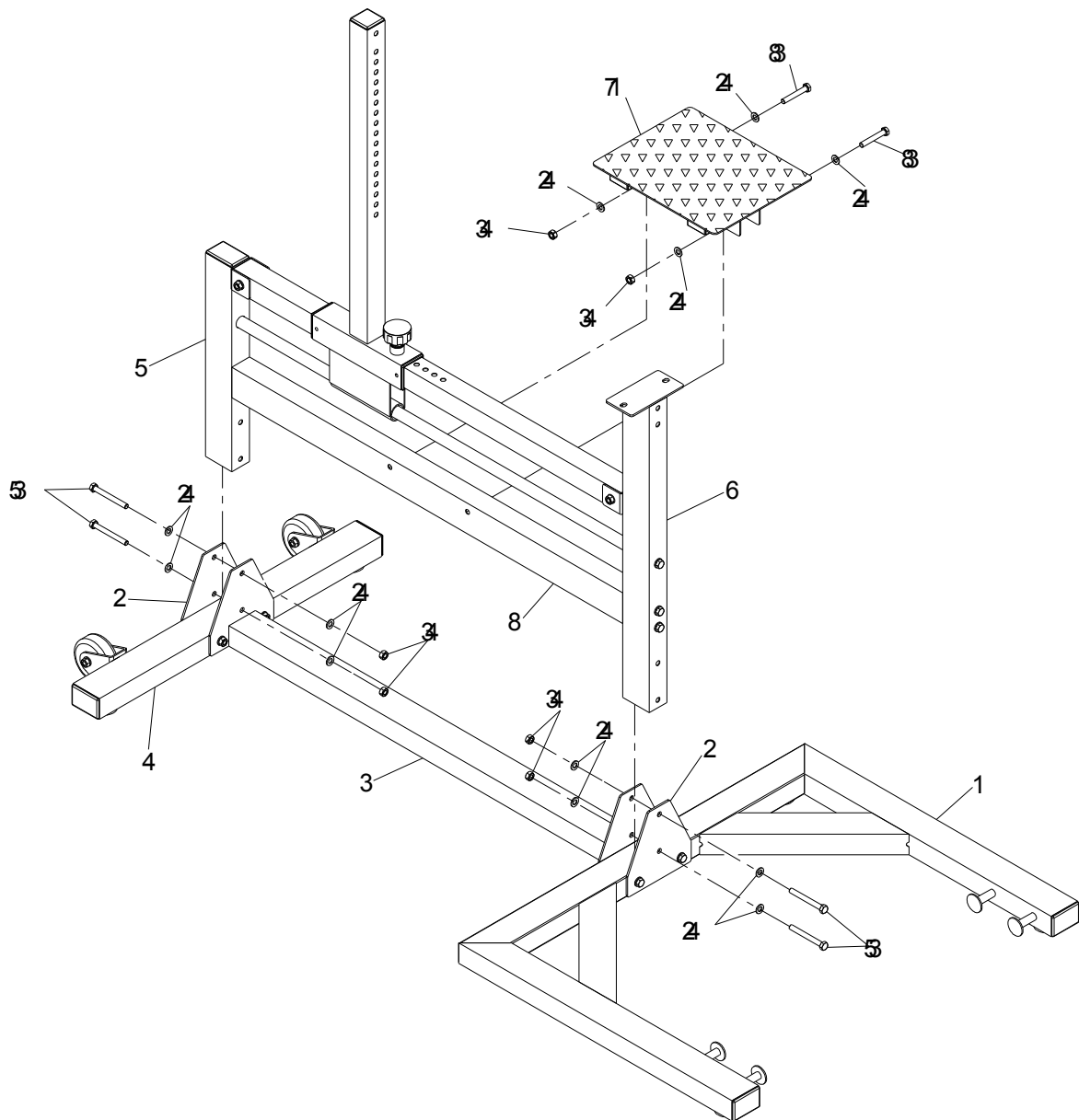
STEP 2

- A. ATTACH BACK UPRIGHT FRAME (5) TO ADJUSTABLE FRAME (7) USING 1PCS M10X75 HEX BOLT (38) , 2 PCS M10 WASER (42) AND 1PCS M10 LOCKNUT (43). INSERT SLIDING ROD (9) THROUGH THE HOLE OF BACK UPRIGHT FRAME (5) USING 1PCS M10X16 HEX BOLT (41) , 1 PCS M10 WASER (42) AS SHOW . ATTACH CONNECTING FRAME (8) TO BACK UPRIGHT FRAME (5) USING 2PCS M10X85 HEX BOLT (36) , 2 PCS M10 WASER (42) AS SHOW
- B. SLIDE ADJUSTABLE FRAME (12) THROUGH ADJUSTABLE FRAME (7) AND SLIDING ROD (9) THE SAME TIME , SCREW ON THE POPPIN (30) AND PRESS LOCK KNOB (31)
- C. ATTACH FRONT UPRIGHT FRAME (6) TO THE PARTS OF ADJUSTABLE FRAME (7), CONNECTING FRAME (8) AND SLIDING ROD (9) USING 1PCS M10X75 HEX BOLT (38) , 2PCS M10X85 HEX BOLT (36), 1PCS M10X16 HEX BOLT (41) , 5 PCS M10 WASER (42) AND 1PCS M10 LOCKNUT (43)



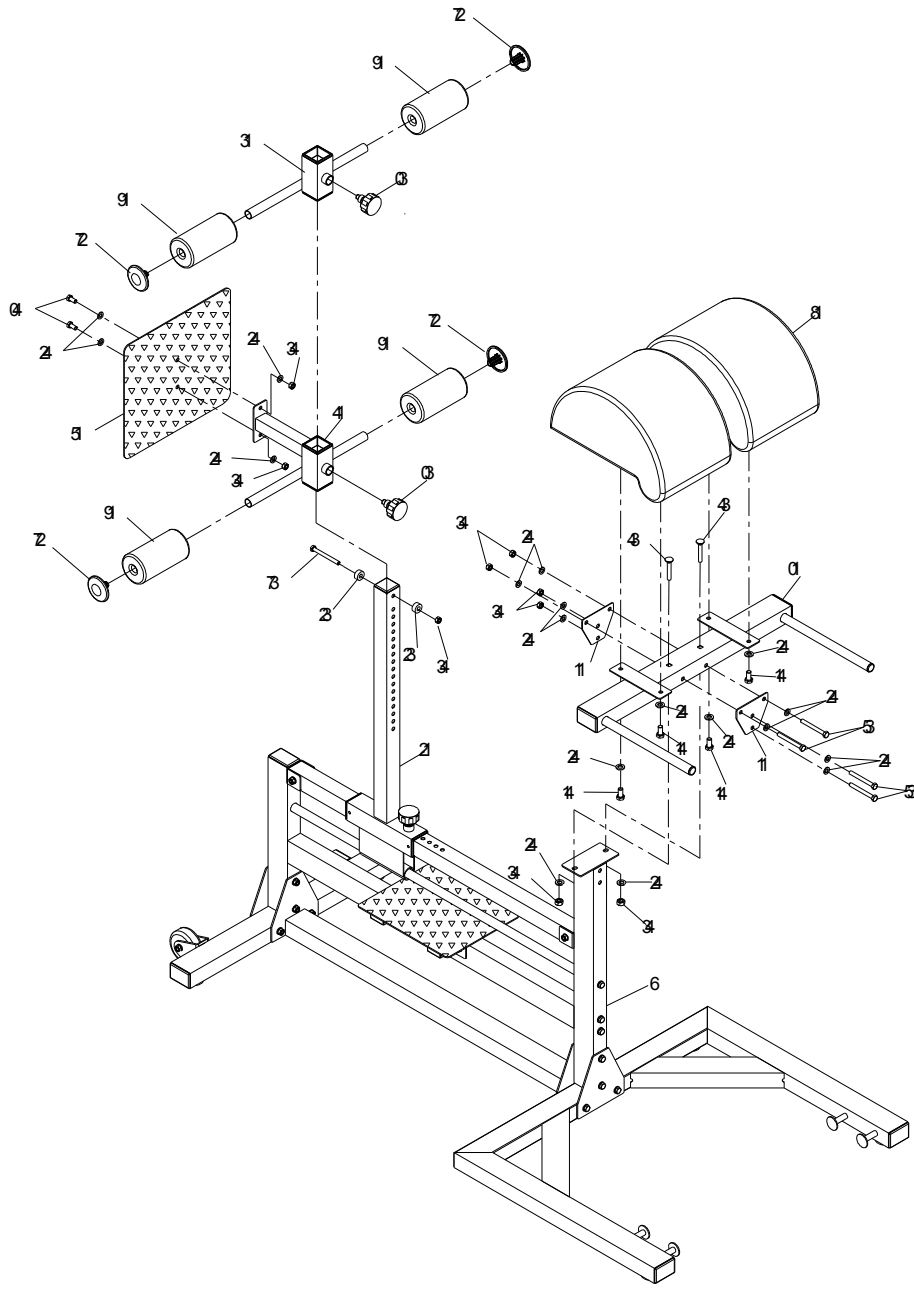
STEP3

- A. ATTACH THE WHOLE PART FROM STEP 2 (5, 6..) INTO THE BRACKET OF BASE FRAME (1, 4) USING 4PCS M10X95 HEX BOLT (35) , 8 PCS M10 WASER (42) AND 4PCS M10 LOCKNUT (43)
- B. ASSEMBLE RUNNING BOARD (17) ONTO THE ADJUSTABLE FRAME (8) USING 2PCS M10X75 HEX BOLT (38) , 4PCS M10 WASER (42) AND 2PCS M10 LOCKNUT (43) AS SHOW



STEP4

- A. SLIDE BAFFLE ADJUSTABLE FRAME (14) AND THEN FOAM ADJUSTABLE FRAME (13) ONTO SLIDE ADJUSTABLE FRAME (12). SCREW POPPIN (30) TO ITS POSITION ON BAFFLE ADJUSTABLE FRAME (14) AND FOAM ADJUSTABLE FRAME (13). SLIDE 4PCS FOAM (19) ONTO THE ROUND TUBING AND THEN ATTACH FOAM COVER (27) AT THEIR END.
THEN TO FIX THE STOP POSITION USING 1PCS M10X80 HEX BOLT (37) , 2PCS RUBBER BUSHING (32) AND 1PCS M10 LOCKNUT (43) AS SHOW
- B. ATTACH BAFFLE (15) TO BAFFLE ADJUSTABLE FRAME (14) USING 2PCS M10X20 HEX BOLT (40) , 4PCS M10 WASER (42) AND 2PCS M10 LOCKNUT (43) AS SHOW
- C. ATTACH CANTILEVER (10) TO FRONT UPRIGHT FRAME (6) 2PCS M10X65 CARRIAGE BOLT (34) , 2PCS M10 WASER (42) AND 2PCS M10 LOCKNUT (43) AS SHOW
- D. TO FIX THE PARTS OF CANTILEVER (10) AND FRONT UPRIGHT FRAME (6) BY USING 2PCS CONNECTOR PLATE(SMALL) (11) , 4PCS M10X95 HEX BOLT (35) , 8PCS M10 WASER (42) AND 4PCS M10 LOCKNUT (43) AS SHOW
- E. ASSEMBLE ANCON CUSHION (18) TO CANTILEVER (10) USING 4PCS M10X16 HEX BOLT (41) AND 4PCS M10 WASER (42)





GARLANDO SPA
Via Regione Piemonte, 32 - Zona Industriale D1
15068 - Pozzolo Formigaro (AL) - Italy
www.toorx.it - info@toorx.it