

TOORX
PROFESSIONAL LINE

INSTRUCTION



CLX9000



Cod : GRLDTOORXCLX9000

Rev : 00

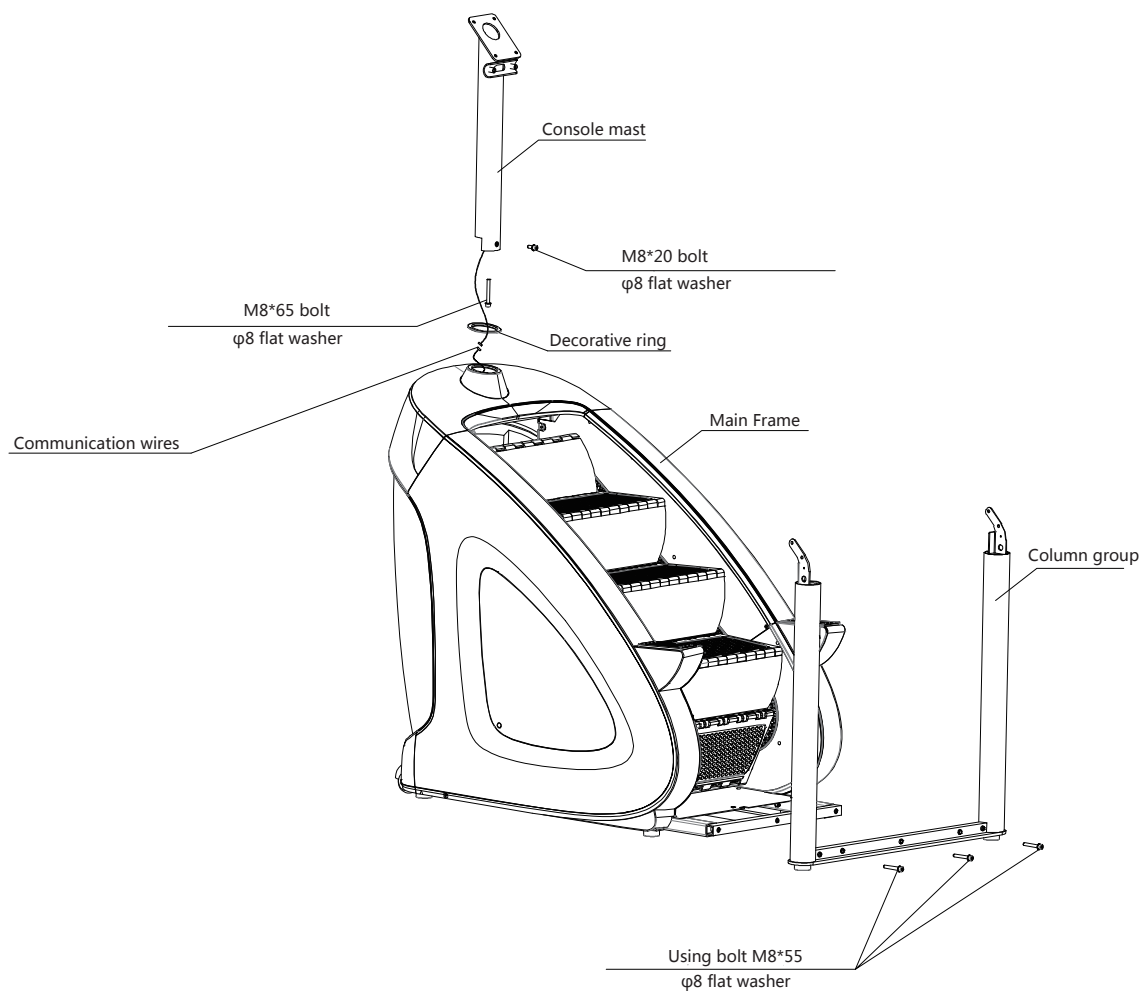
Ed : 03/20



Assembly Steps

Step 1

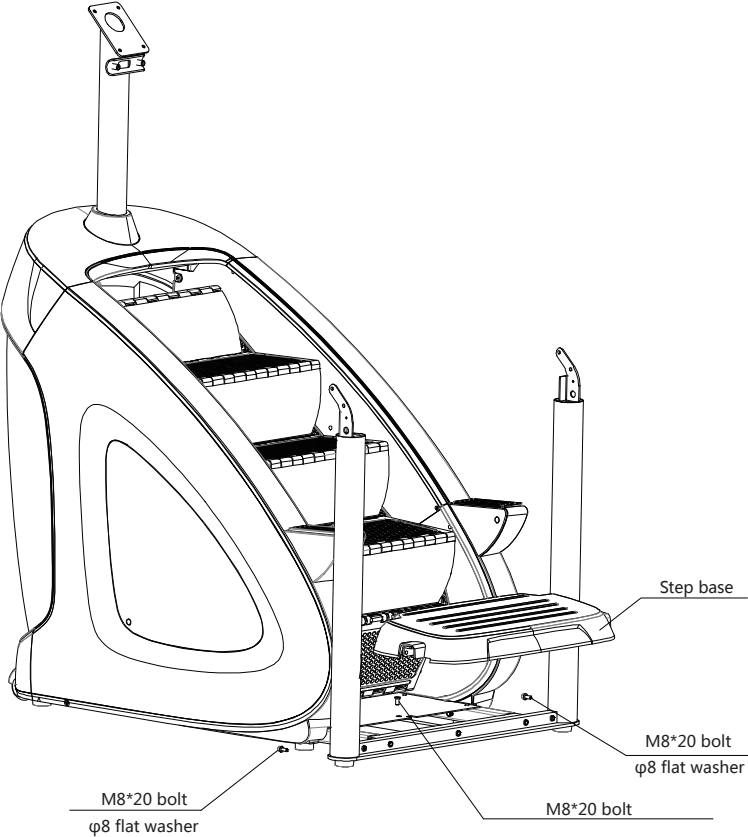
- ① Connect the wires with same terminal.
- ② Mount the Decorative ring to console mast, using Bolt M8*20(1pc), M8*65(1pc) and $\phi 8$ flat washer(1pc).
- ③ Fix the Column group, using M8*55 Bolts(3pcs) and $\phi 8$ flat washer(3pcs).



Assembly Steps

Step 2

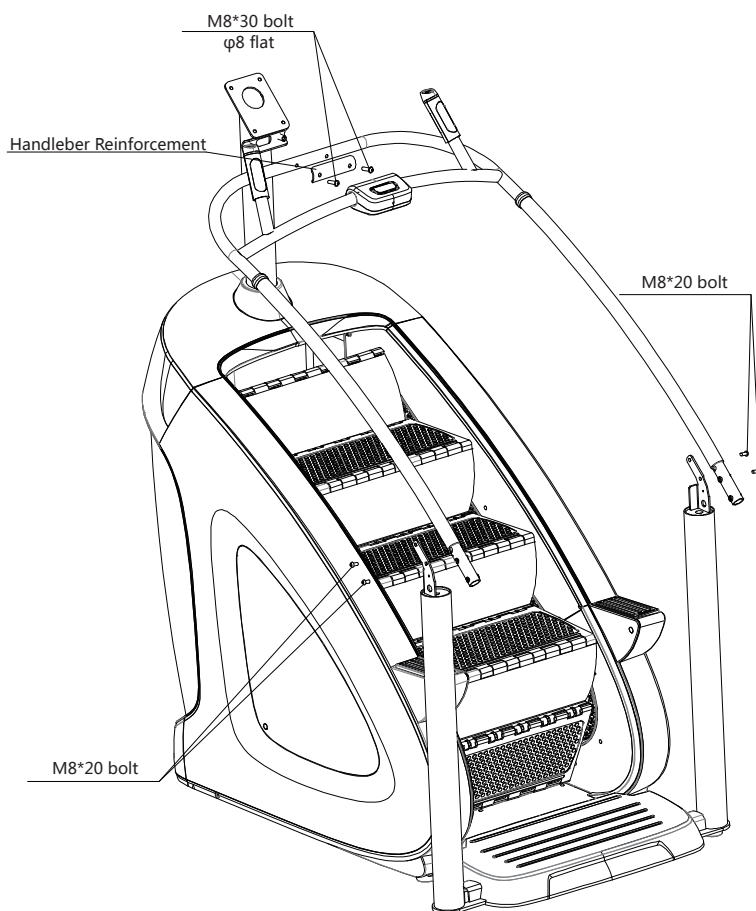
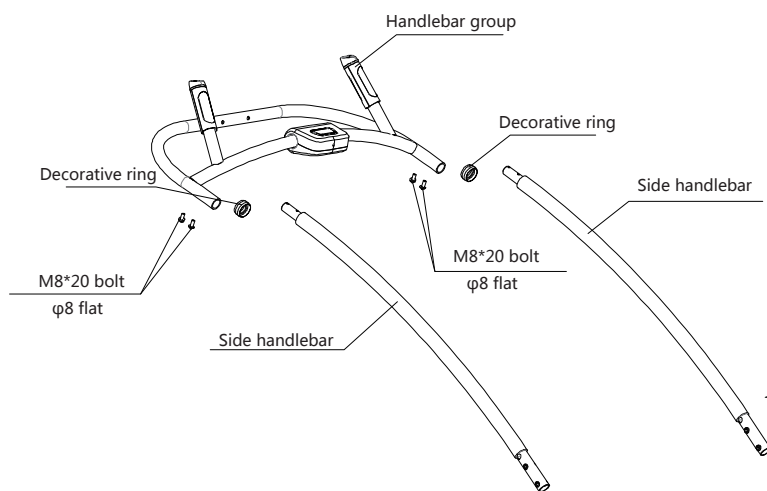
① Fix the step base, use M8*20 Bolts(2pcs), φ8 flats(2pcs) and M8*20 Bolt(1pc)



Assembly Steps

Step 3

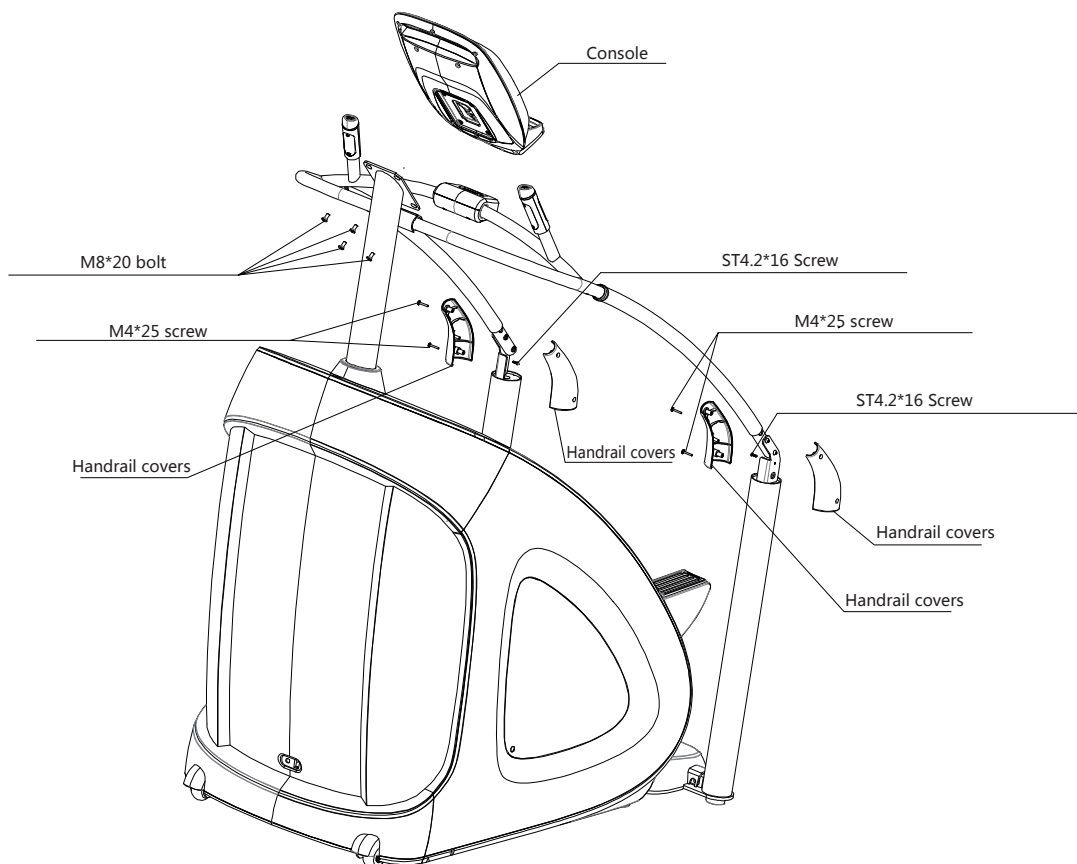
- ① Connect the wires with same terminal.
- ② Fix the side handlebar to upper handlebar with Decorative rings, use M8*20 Bolts(4pcs) and $\phi 8$ flats(4pcs).
- ③ Fix the handlebar group to console mast with strengthen base, use M8*20 bolts(4pcs) and $\phi 8$ flats(4pcs).
- ④ Fix the handlebar group to Column group, use M8*20 Bolts.



Assembly Steps

Step 4

- ① Fix the Console, use M8*20 bolts(4pcs)
- ② Fix handrail covers, use M4*25 screw(4pcs) and ST4.2*16 Screw(2pcs)



Console description

Display

LED display console, show us following information:

Time(S): display from " 00:00-99:59" ; Default time for positive timing, Increment with each 1 second.

Distance(Km): display from " 0-99.9" ; Default distance is positive timing, increment with each 0.1Km








Calorie (Kcal): display from " 0-99.9" default Calorie is positive timing, Increment with each 0.1 Kcal.

Speed (Km/h): Display from " 0-100km/h" Increment with each 0.1km/h

Intensity: display from "1-20" ;






Console description

Number	Name	Details
①	light language	Blue(3seconds): Power On Breathing blue: Standby Flashing Blue: Searching bluetooth/ Logging into the system Green: System login succeeded Flashing Red(2sec): System login failed Yellow(60seconds): Pause state Blue(1Second):Cool Down Red(1second):Stop Red(2Second): Exit system
②	Distance Heart Rate Step Frequency	Use  button to change
③	Koal Koal/h Power	Use  button to change
④	Used Time Remaining Time System Time	Use  button to change
⑤	Speed Average Speed Steps	Use  button to change
⑥	LED display	Information about the training
⑦	Program	6 training modes, One button start
⑧	Numeric Keypad	Input the Age, weight and password etc. Press  to delete.After input the number, press OK to confirm.
⑨	View	After the end of the exercise, the system will automatically save the current exercise data, click on the view to display the current exercise result data
⑩	Fan	Adjust the speed of fan: low, high
⑪	Level	Press   adjust exercise intensity
⑫	Target Program	Set exercise target, include Time, distance, Koal
⑬	Self-editing Program	Set self-editing program
⑭	Start/Stop	When unit stopped, press this button to start. When unit running, press this button to stop.
⑮	USD	Charging for mobile electronic devices
⑯	NFC Identification	Identify user information (smart system version)

Operating Instructions

Quick start

- Press  button, all data starts counting, The bottom line of display bright. display lights and intensity adjustment linkage; press buttons - + to adjust intensity, the data can be switched.
- Press  button, to clear all the data, display remind "ANYKEY TO CONTINUE OR PRESS OK TO QUIT" , press any key to continue use the unit, press  button to quit.

Preset program starting up



WARM UP



FAT BURNING



TRAINING








ROLLING HILLS




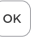







CHALLENGE



INTERVAL






- Choose any program when LED display "START OR PRESS OK TO SET UP" Press  button, to start preset program, default time 30 min, level linkage adjustment. Press  button, to set program:
 - 1、 Age Setting(10-90): display remind" Enter your age" (input your age) default" 35" , press - + to choose or input your age directly, press  to next step
 - 2, weight Setting(30-180): display remind" Enter your weight(input your weight) default" 65" , press -+ to choose or input your weight directly, press  to next step;
 - 3, Time Setting(5-99): display remind "ENTER TIME" (input time) default "30min" press - + to choose or input time directly, press  to " PRESS START TO BEGIN."

Target program starting up

- Press  button, display remind" SET TIME OR ENTER THE NEXT TARGET" same time, Time Window Flashes. Default time 30min; setting interval 5:00-99:00; adjust with - + button, 1min each press or use numeric keypad to setting detail time, press  , display remind " PRESS START TO BEGIN" , press  to start the unit.
- Press  button, display remind" SET DISTANCE OR ENTER THE NEXT TARGET" Same Time, Distance window flashes. Default setting1.0Km, setting interval 1-99; setting with - + button, 1km each press, or use numeric keypad to setting detail distance, After press  , display remind" PRESS START TO BEGIN" , press  button to start.
- Press  button, display remind" SET CALORIES OR ENTER THE NEXT TARGET" same time, Calories window flashes, default setting 50Kcal; Setting interval 50-990; setting with - + button, 10Kcal each press, or use numeric keypad to setting detail calories, press  button, display remind "PRESS START TO BEGIN" , press  button to start.

Operating Instructions

Self-Editing program starting up

- Press  Button, display remind " USER PROGRAM" After the information finished, the first line of display is displayed. The first light flashes, setting with - +, each press 1lvl, or use numeric keypad to setting details, press  to next step, when finish last step, press , display remind "ENTER TIME" , press , display remind" PRESS START TO BEGIN" , press  to begin exercise.

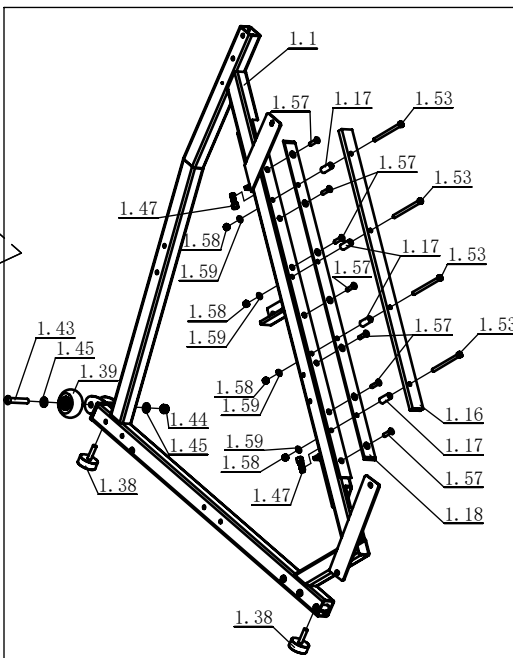
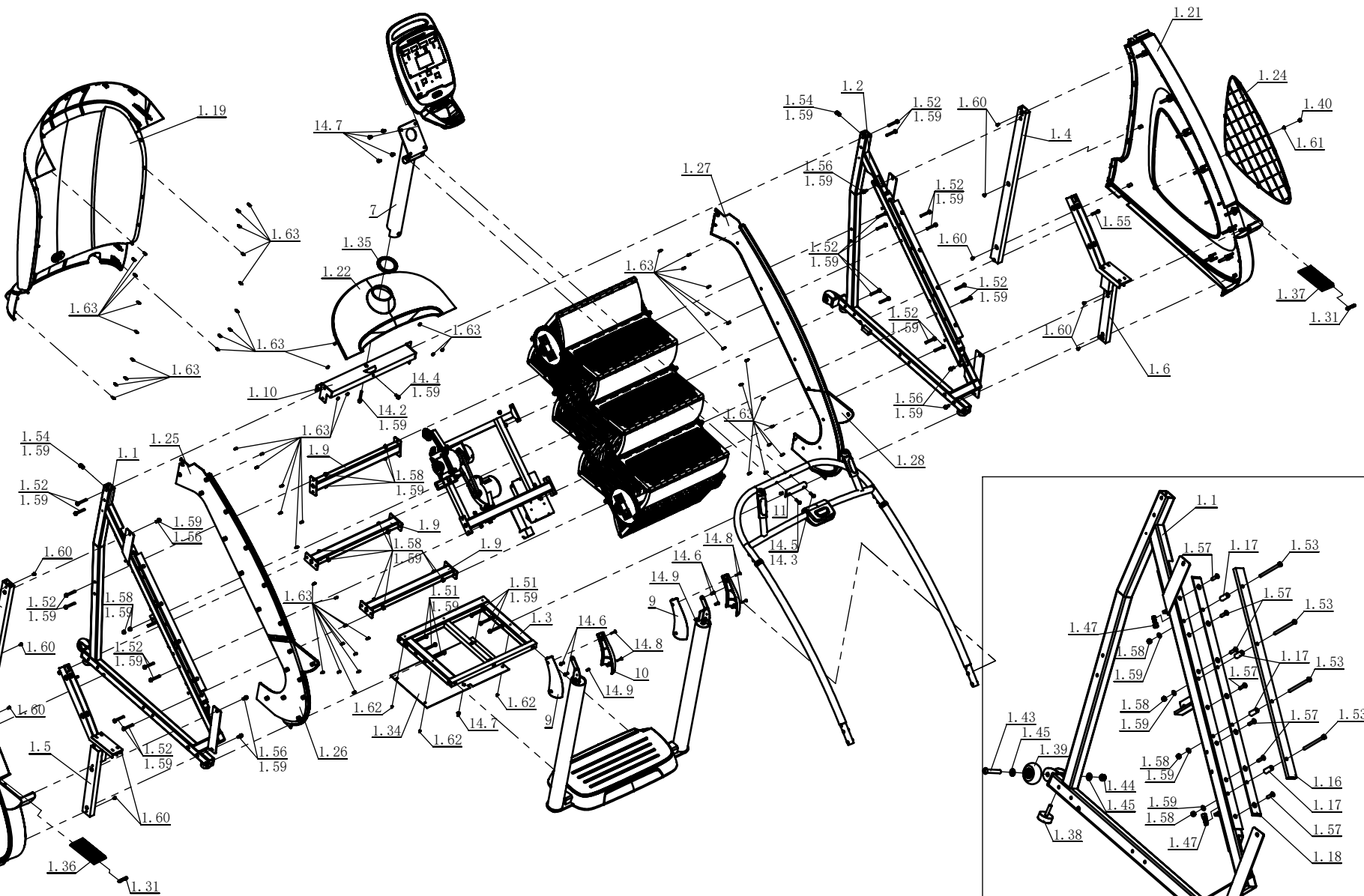
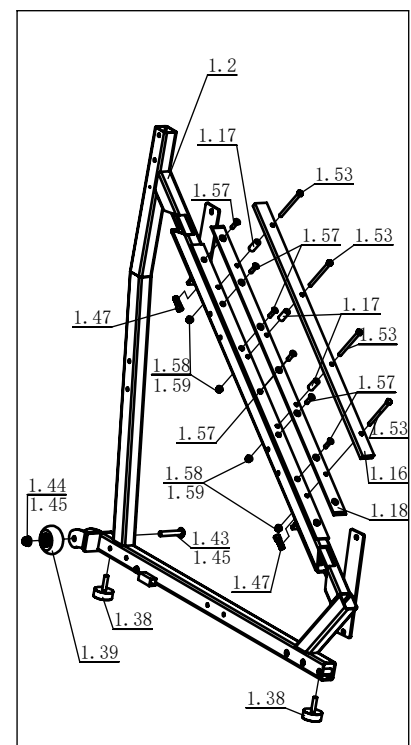
CLIMBMILL PARTS LIST

No.	Parts	Qty	No.	Parts	Qty
1	Main Frame	1	2, 1	Handrail stanchion	1
1, 1	Support Frame(L)	1	2, 2	Leveling foot	2
1, 2	Support Frame(R)	1	3	Handlebar assembly	1
1, 3	Base Frame	1	3, 1	Handlebar	1
1, 4	Upright Support Tube	2	3, 2	Heart rate front shell	2
1, 5	Step frame(L)	1	3, 3	heart rate back shell	2
1, 6	Step frame(R)	1	3, 4	Button shroud	2
1, 7	Top sprocket	1	3, 5	Light Button Base	2
1, 8	Bottom sprocket	1	3, 6	button	4
1, 9	Horizontal support Frame	3	3, 7	Button cover	1
1, 10	Top Horizontal support frame	1	3, 8	Start/Stop Button	1
1, 11	Drive Train frame	1	3, 9	Emergency Stop Top Shell	1
1.11.1	Drive Train support frame	1	3, 10	Emergency Stop Bottom Shell	1
1.11.2	Alternator Mounting Arm	1	3, 11	Safety Switch	1
1.11.3	Reducer sprocket	1	3.11.1	Tension Spring	1
1.11.4	pulley	1	3.11.2	Safety Switch Lever	1
1.11.5	240J6 Drive Belt	1	3.11.3	Safety switch actuator	1
1.11.6	M12 Nut	1	3.11.4	Switch Top Shell	1
1.11.7	M12*50 bolt	1	3.11.5	Switch Bottom Shell	1
1.11.8	Φ12 Flat washer	2	3.11.6	Clip Assembly	1
1.11.9	M8×45 bolt	1	3.11.12	Hardware Kit	4
1.11.10	M8×35 bolt	4	3.11.13	Emergency stop switch	1
1.11.11	M8 × 20 bolt	2	3.11.14	Emergency Stop	1
1.11.12	5 / 16×0.75bolt	1	3, 12	M5×10 Screw	4
1.11.13	M8 Nut	5	3, 13	M4×25 Screw	4
1.11.14	M8 he× nut	1	3, 14	M3×10 Screw	2
1.11.15	Φ8flat washer	7	3, 15	M3×5 Screw	2
1.11.16	Φ8 spring washer	2	3, 16	ST4×20 Screw	6
1.11.17	M6 × 8 screws	2	3, 17	ST4.2×16 Screw	4
1.11.18	M5×30 bolt	3	3, 18	Handlebar Keypad	2
1.11.19	M5 × 35 screws	2	3, 19	Handlebar LED circuit board	2
1.11.20	Alternator	1	4	Rear step assembly	1
1.11.21	Power resistor	1	4, 1	Rear step frame	1
1.11.22	Controllor	1	4, 2	Rear Step	1
1.11.23	Pro×imity switch	1	4, 3	Warning strip	1
1.11.24	M4 × 10 screw	8	4, 4	M6×12 Screw	12
1.11.25	Brake	1	4, 5	ST4×10 Screw	4
1.11.26	Speed reducer	1	4, 6	Φ4 Flat washer	4
1.11.27	Woodruff key	1	5	Left handrail	1
1.11.28	Φ6 flat washer	1			
1.11.29	M6×20 bolt	1	5, 1	Left handrail Tube	1
1.11.30	Φ6 Split washer	1	5, 2	Handrail foam	1
1.11.31	Magnetic switch	1	6	Right Handrail	1
1.11.32	M4*10 Screw	2	6, 1	right handrail Tube	1
1, 12	Chain	2	6, 2	Handrail foam	1
1, 13	Reducer chain	1	7	Console mast	1
1, 14	Stair connecting shaft, step	8	8	Console Assembly	1
1, 15	Stair connecting shaft, riser	8	8, 1	Console mounting frame	1
1, 16	Chain limiter	2	8, 2	Console front shell	1
1, 17	Limiter standoff	8	8, 3	Console back shell	1
1, 18	Chain guide plate	2	8, 4	Console back cover	1
1, 19	Front Shroud	1	8, 5	Cup Holder	1
1, 20	Side Shroud (L)	1	8, 6	Console front Cover	1
1, 21	Side Shroud (R)	1	8, 7	Left fan duct	1
1, 22	Top Shroud	1	8, 8	Right fan duct	1
1, 23	Access Cover(L)	1	8, 9	Air Vent	1

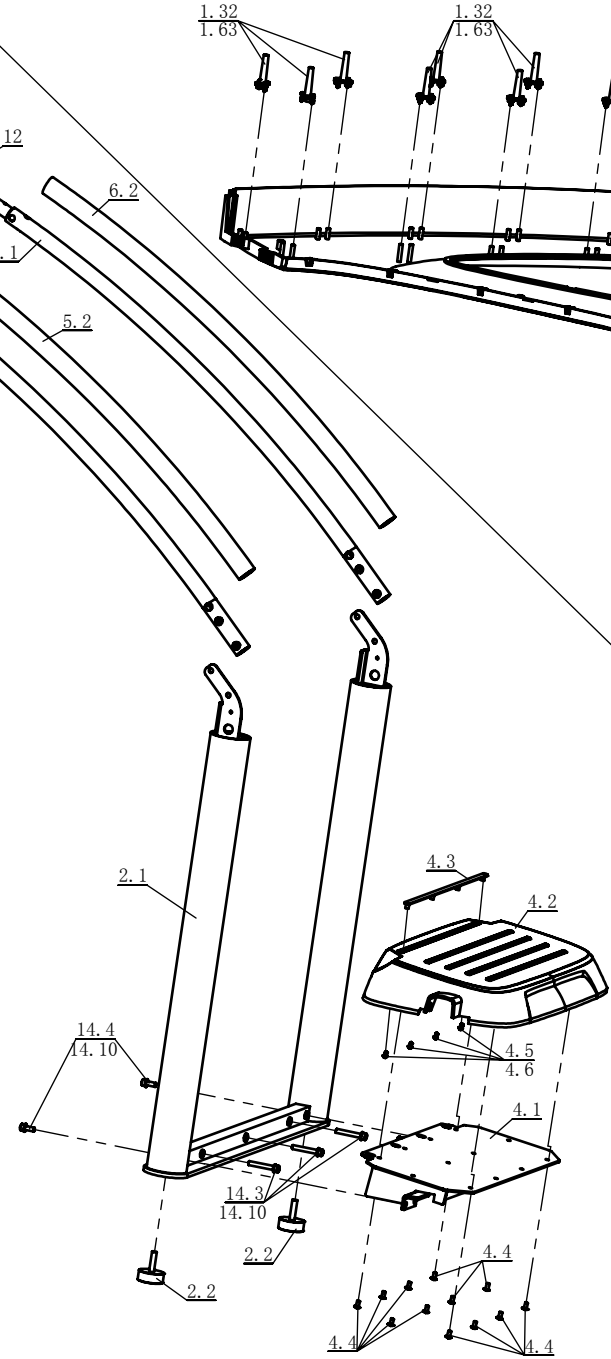
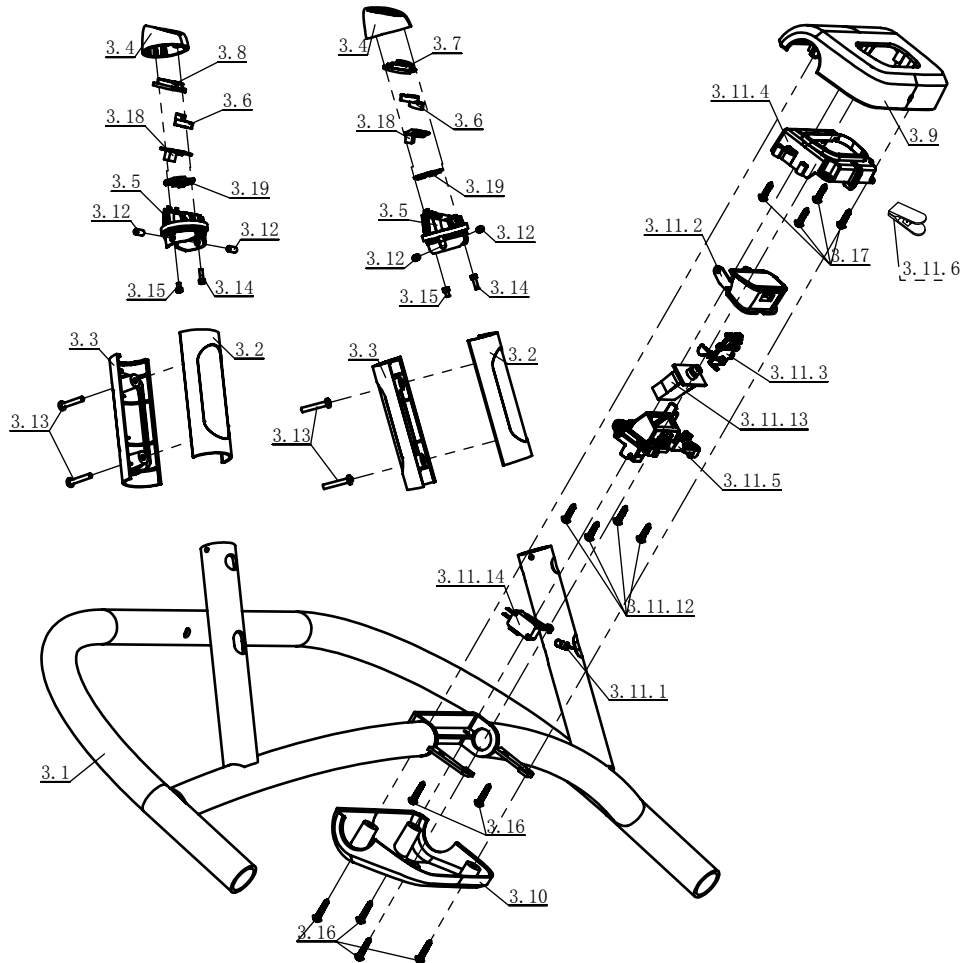
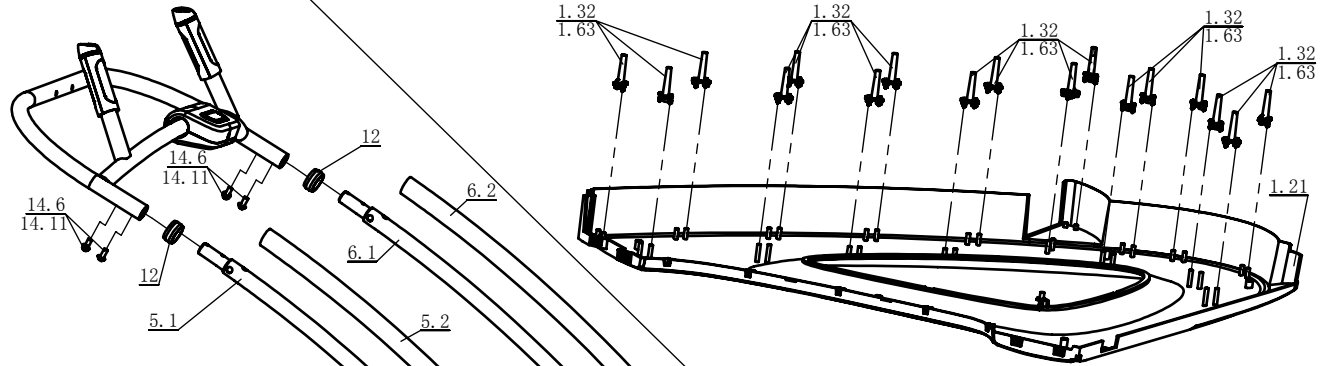
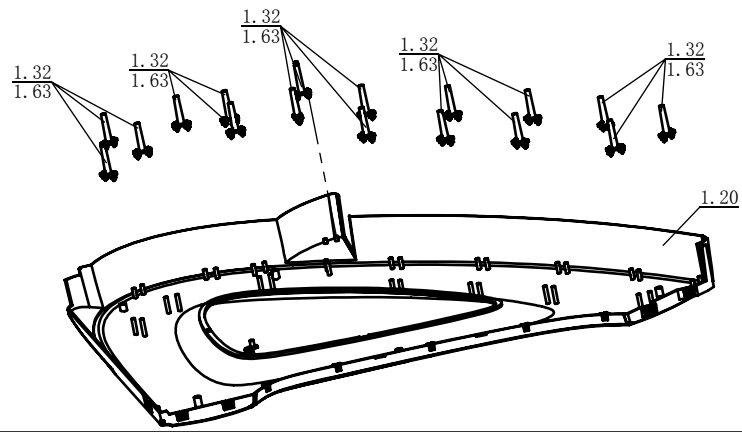
CLIMBMILL PARTS LIST

No.	Parts	Qty	No.	Parts	Qty
1, 24	Access Cover(R)	1	8, 10	Cup holder Cover	1
1,25	Left Side Inner Cover(F)	1	8, 11	Light Lens	1
1, 26	Left Side Inner Cover(B)	1	8, 12	Anti Slip Mat	1
1,27	Right Side Inner Cover(F)	1	8, 13	LED display	1
1, 28	Right Side Inner Cover(B)	1	8, 14	USB	1
1, 29	Step assembly	8	8, 15	M5×8 Screw	32
1.29.1	Step	1	8, 16	M4×40 Screw	2
1.29.2	Warning strip	1	8, 17	ST3.5×8 Screw	33
1.29.3	ST4*10 Screw	4	8, 18	Φ4 Flat washer	4
1.29.4	Φ4 Flat Washer	4	8, 19	M8 Nut	4
1, 30	Riser assembly	8	8, 20	Fan Assembly	1
1.30.1	Riser	1	8, 21	Motherboard Assembly	1
1.30.2	ST4*10 Screw	2	8, 22	Daughterboard Assembly	1
1, 31	Warning Strip	2	8, 23	LED Modules	1
1,32	Shroud standoff	34	9	handrail cover(L)	2
1,33	Nylon washer	32	10	Handrail Cover(R)	2
1,34	ottom Cover	1	11	Handrail reinforcement plate	1
1,35	Decorative Ring	1	12	Decorative Ring	2
1,36	Stand Pad(L)	1	13	Single-sided adhesive EVA	1
1,37	Stand Pad(R)	1	14	Hardware Kit	1
1,38	Leveling foot	4	14,1	Cardboard	1
1,39	Transport Wheel	2	14,2	M8×65 Bolt	1
1,40	Φ11Screw hole cap	4	14,3	M8×55 Bolt	3
1,41	Bearing UCP204	4	14,4	M8×20 Bolt	3
1,42	Bearing 608-2Z	16	14,5	M8×30 Bolt	2
1,43	M12*70 Screw	2	14,6	M8×20 Bolt	8
1,44	M12 Nylon Nut	2	14,7	M8×20 Screw	5
1,45	Φ12 Flat Washer	4	14,8	M4×30 Screw	4
1,46	MM10*40 Bolt	8	14,9	ST4.2×16 Screw	2
1,47	M10*30 Bolt	4	14,10	Φ8 Flat Washer	7
1,48	Φ10 Flat Washer	8	14,11	Φ8 Curved washer	6
1,49	Φ10 Split Washer	8			
1,50	M8*80 He× Bolt	2			
1,51	M8*70 He× Bolt	6			
1,52	M8*60 He× Bolt	22			
1,53	M8*105 He× Bolt	8			
1,54	M8*20 He× Bolt	2			
1,55	M8*40 He× Bolt	2			
1,56	M8*20 He× Bolt	6			
1,57	M8×30 screw	14			
1,58	M8 Nylon Nut	46			
1,59	Φ8 Flat washer	84			
1,60	M6 × 12 screw	10			
1,61	M4 × 10 screw	2			
1,62	M4 × 10 screw	5			
1,63	ST4.2 × 16 Screw	136			
1,64	Φ6 bearing clip	16			
1,65	Φ6 flat washer	16			
2	Handrail assembly	1			

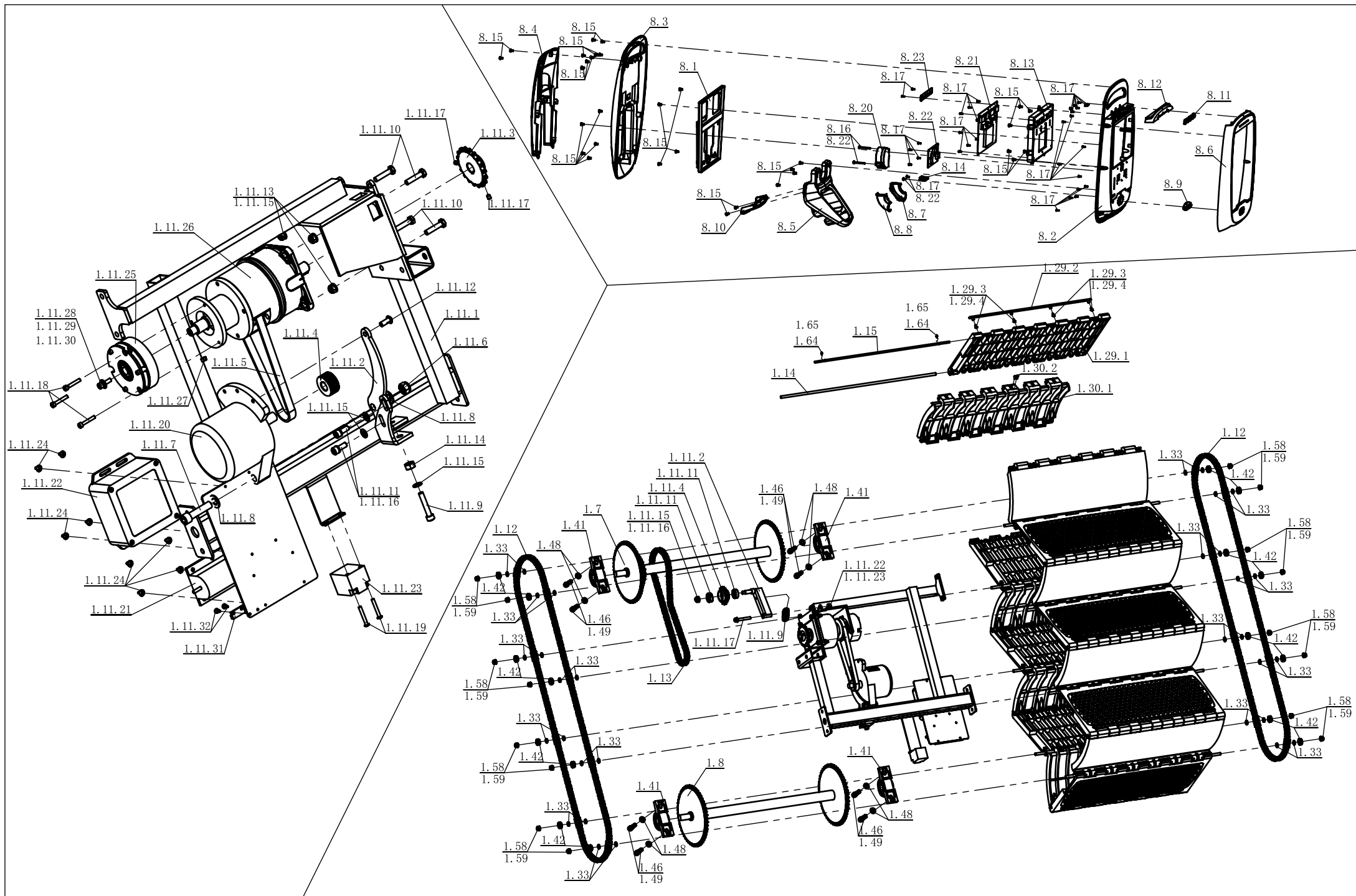
ASSEMBLY



ASSEMBLY 2



ASSEMBLY 3





GARLANDO SPA

Via Regione Piemonte, 32 - Zona Industriale DI

15068 - Pozzolo Formigaro (AL) - Italy

www.toorxprofessional.it

contact@toorxprofessional.it