

TOORX
PROFESSIONAL LINE

INSTRUCTION



WBX1800

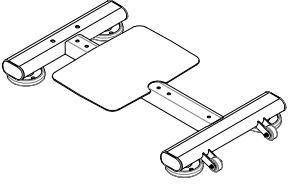
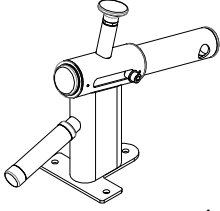
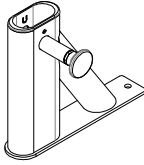
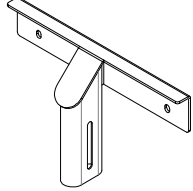
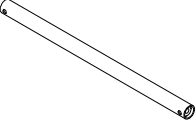
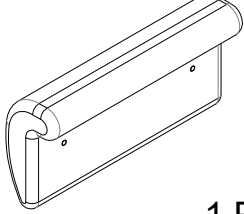
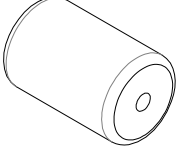


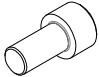

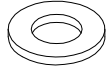



Cod : GRLDTOORXWBX1800

Rev : 00

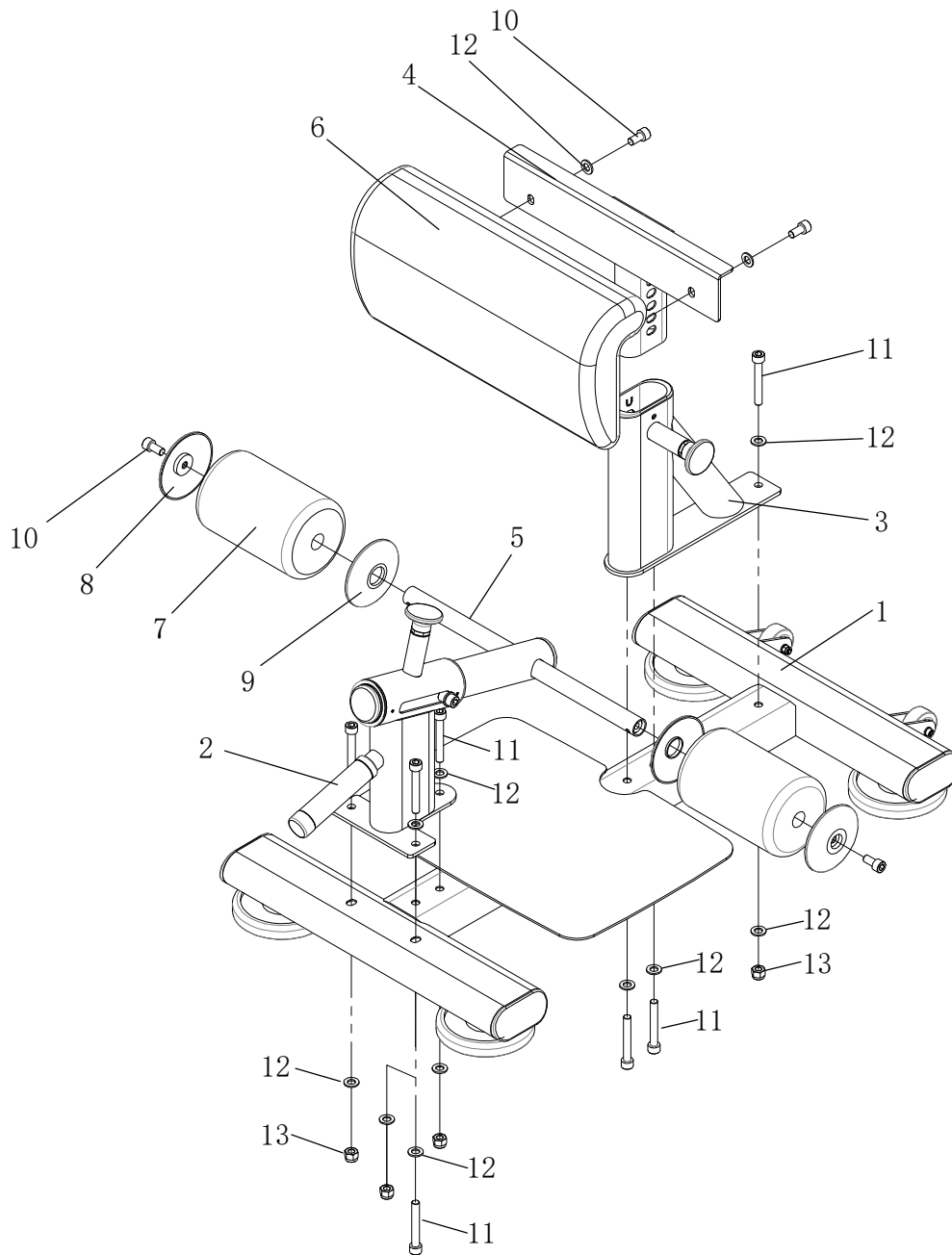
Ed : 12/20

PART LIST

| | | | |
|---|---|--|---|
| <p>1</p>  <p>1 PC</p> | <p>2</p>  <p>1 PC</p> | <p>3</p>  <p>1 PC</p> | <p>4</p>  <p>1 PC</p> |
| <p>5</p>  <p>1 PC</p> | <p>6</p>  <p>1 PC</p> | <p>7</p>  <p>2 PCS</p> | <p>8</p>  <p>2 PCS</p> |
| <p>9</p>  <p>2 PCS</p> | <p>10</p> <p>M10*20 bolt</p>  <p>4 PCS</p> | <p>11</p> <p>M10*70 bolt</p>  <p>7 PCS</p> | <p>12</p> <p>M10 Washer</p>  <p>13 PCS</p> |
| <p>13</p> <p>M10 Nut</p>  <p>4 PCS</p> | | | |

Installation Instruction

Step 1





GARLANDO SPA
Via Regione Piemonte, 32 - Zona Industriale D1
15068 - Pozzolo Formigaro (AL) - Italy
www.toorx.it - info@toorx.it