

**TCORX**  
PROFESSIONAL LINE

# INSTRUCTION



# SRX9500



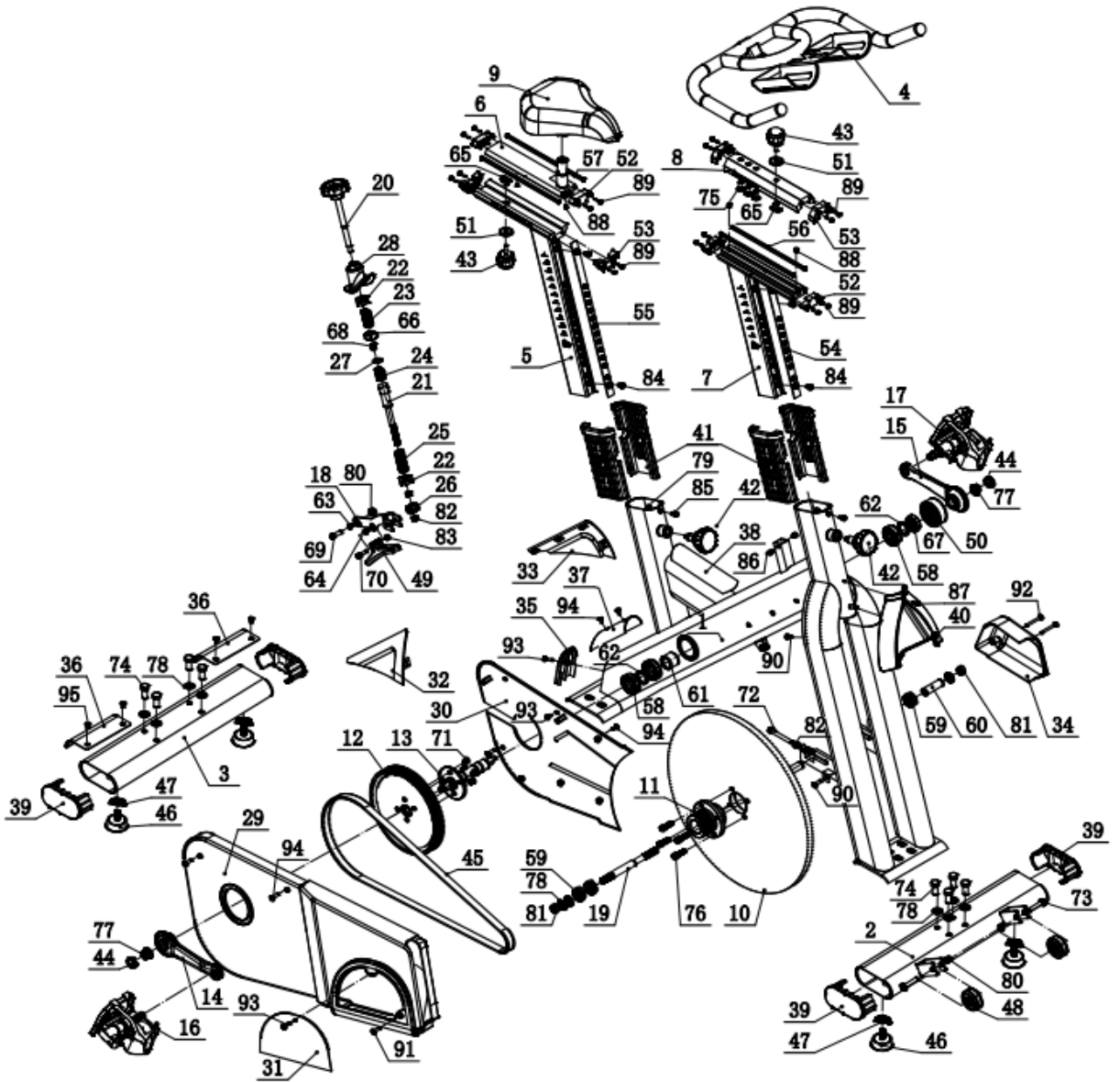
Cod : TOXPRFSRX9500

Rev : 00

Ed : 12/22



# EXPLORE DRAWING



## PART LIST

PART NO.	PART NAME	Q'TY
1	Main frame	1
2	Front basal pipe	1
3	Rear basal pipe	1
4	Handlebar	1
5	Adjustment assembly of seat	1
6	Fixed assembly of seat	1
7	Adjustment assembly of handlebar	1
8	Fixed assembly of handlebar	1
9	Seat	1
10	Inertia wheel	1
11	Inertia wheel shaft sleeve	1
12	Belt wheel	1
13	Crank shaft	1
14	Right crank	1
15	Left crank	1
16	Pedal -R	1
17	Pedal-L	1
18	Connect block of brake	1
19	Wheel spindle	1
20	Brake lever	1
21	Brake driven shaft	2
22	Brake fixed pad	1
23	Up damper of brake	1
24	Middle damper of brake	1
25	Down damper of brake	1
26	Guide pad of brake	1
27	Brake washer	1
28	protective cover of brake	1
29	Outside protective cover of belts	1
30	Inside protective cover of belts	1
31	Adjust plate	1
32	Right protective board	1
33	Left protective board	1
34	Left end cap	1
35	Rear end cap	2
36	Protective board of basal pipe	1
37	Protective board of main frame	1
38	Protective board of reinforce tube	4
39	Up protective cover tube plug	1

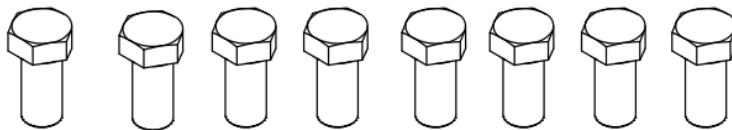
40	Front garnish	4
41	Reducing sleeve	2
42	Stug	1
43	Locking rotary knob	2
44	Crank plug	1
45	Belts	4
46	Level frame	4
47	Rotary stop plate	2
48	Move wheel	1
49	Brake pad	1
50	Middle bearing shaft sleeve	1
51	Nylon sub plate	2
52	End cap	4
53	End cap	4
54	Adjustable Protective board of handlebar	1
55	Adjustable Protective board of seat	1
56	Adjustable Protective board of Plastic strip	2
57	Adjustable Protective board of seat	2
58	SKF 6005 bearing	2
59	SKF 6201 bearing	3
60	Locating sleeve of Inertia wheel	2
61	Support sleeve of middle bearing	1
62	Bearing closing ring	2
63	Brake support sleeve1	1
64	Brake support sleeve2	1
65	T nut	2
66	T12 nut	1
67	M24 Thin nut	1
68	M8 cap nut	1
69	M8*25 inside hexagonal bolts	1
70	M6*20 inside hexagonal bolts	1
71	M8*12 bolts	4
72	M8*70 inside hexagonal bolts	2
73	M8*40 inside hexagonal bolts	2
74	M12*20 bolts	8
75	M8*20 inside hexagonal bolts	3
76	M8*25 inside hexagonal bolts	4
77	M12*1.25 bolts	2
78	Φ12 washer	12
79	M5 nut	2
80	M8 Nylon nut	3
81	M12 Nylon nut	2
82	M8 Bolts	6

83	M6 Bolts	1
84	M6*16 inside hexagonal bolts	4
85	M5*15 bolts	2
86	M5*5 bolts	4
87	M5*16 bolts	1
88	M5*8 bolts	4
89	M4*12 bolts	17
90	ST4.8*15 Screw	2
91	ST4.8*15 Screw	1
92	ST4.2*38 Screw	2
93	ST4.2*15 Screw	12
94	ST4.2*15 Screw	5
95	ST4.2*10 Screw	4

## HARDWARE COMPARISON CHART

For your convenience, we have identified the hardware used in the assembly of this product. This chart is provided to help you identify those items that may be unfamiliar to you.

NO.	DESCRIPTION	Q'TY
74	ST4.2*15 Screw	8
75	M8*20mm Allen head bolt	3
78	M10*20mm Allen head bolt	8
88	Ø10 Washer	1
89	Ø8 Washer	2
A	13-15 Fork Wrench	1
B	17-18 Fork Wrench	1
C	6mm SOCKET HEAD WRENCH	1
D	5mm SOCKET HEAD WRENCH	1
E	MULTI-FUNCTION WRENCH	1



74



78



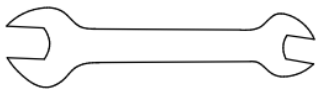
75



88



89



A



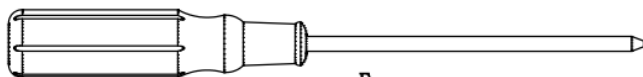
B



C

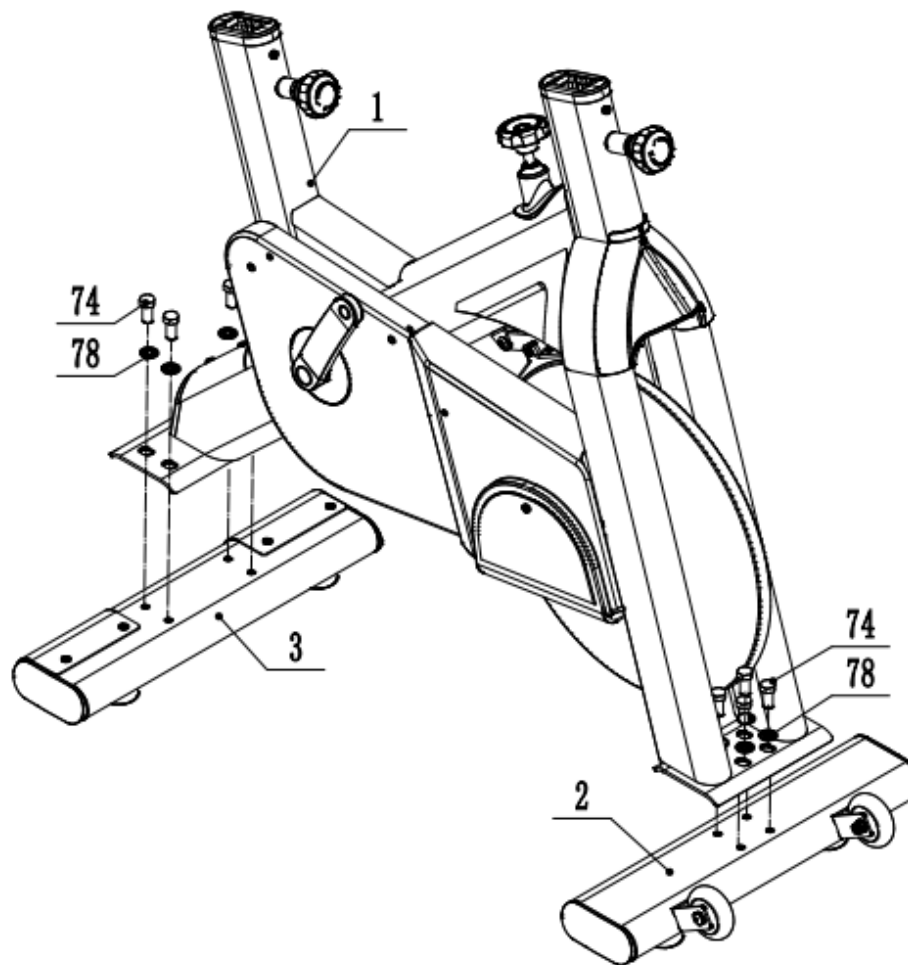


D



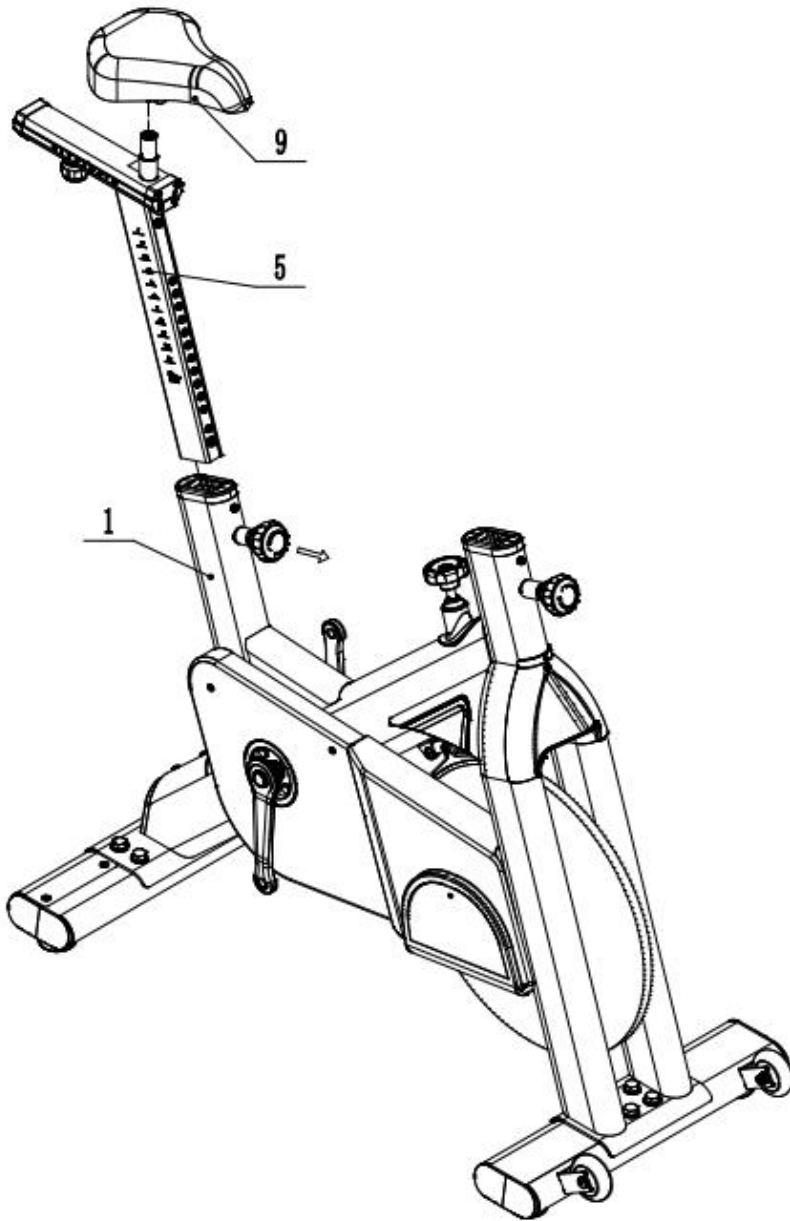
E

## ASSEMBLING INSTRUCTIONS



### STEP1:

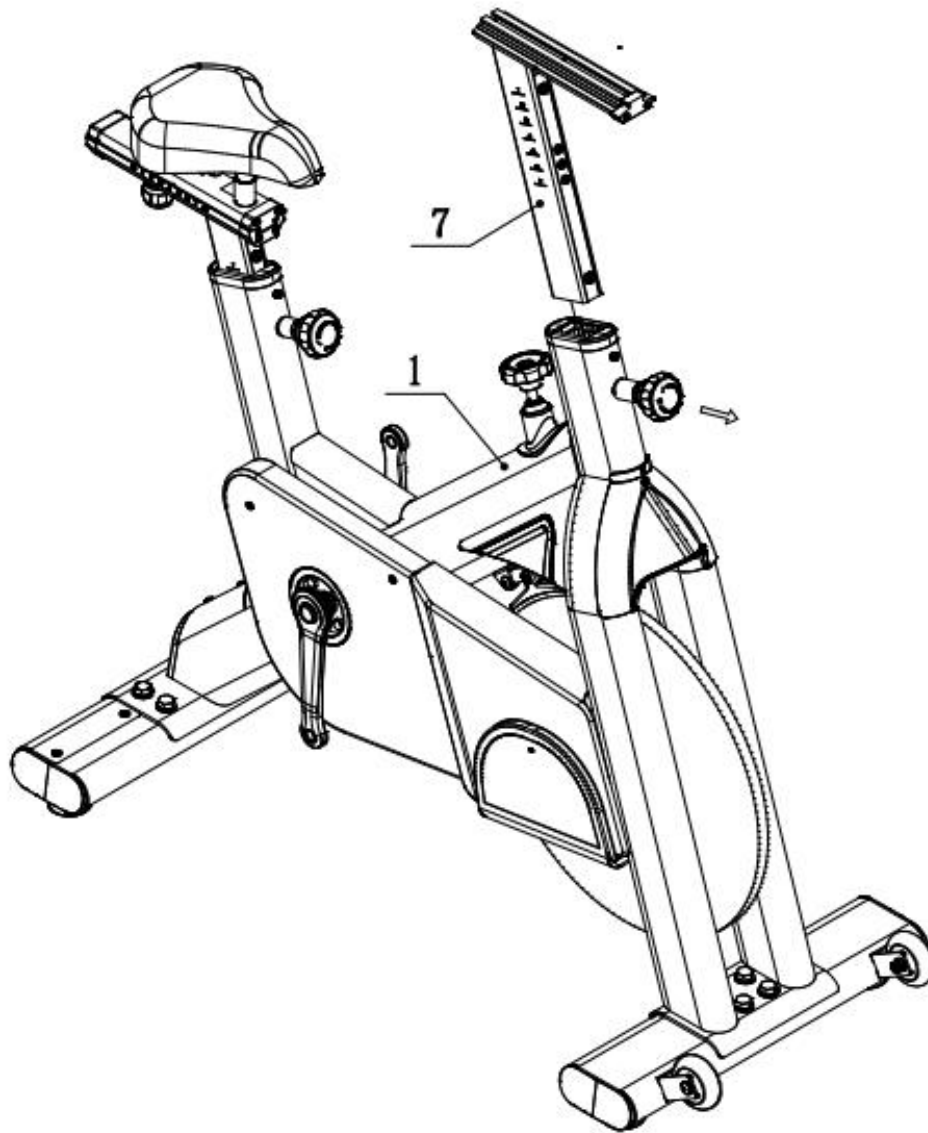
Fix Front basal pipe 2 and rear basal pipe 3 onto main frame 1 with M12\*20 bolts 74、Φ12 washer 78.



**STEP2:**

Fix Adjustment assembly of seat 5 onto the main frame 1. Fix seat 9 onto adjustment assembly of seat 5.

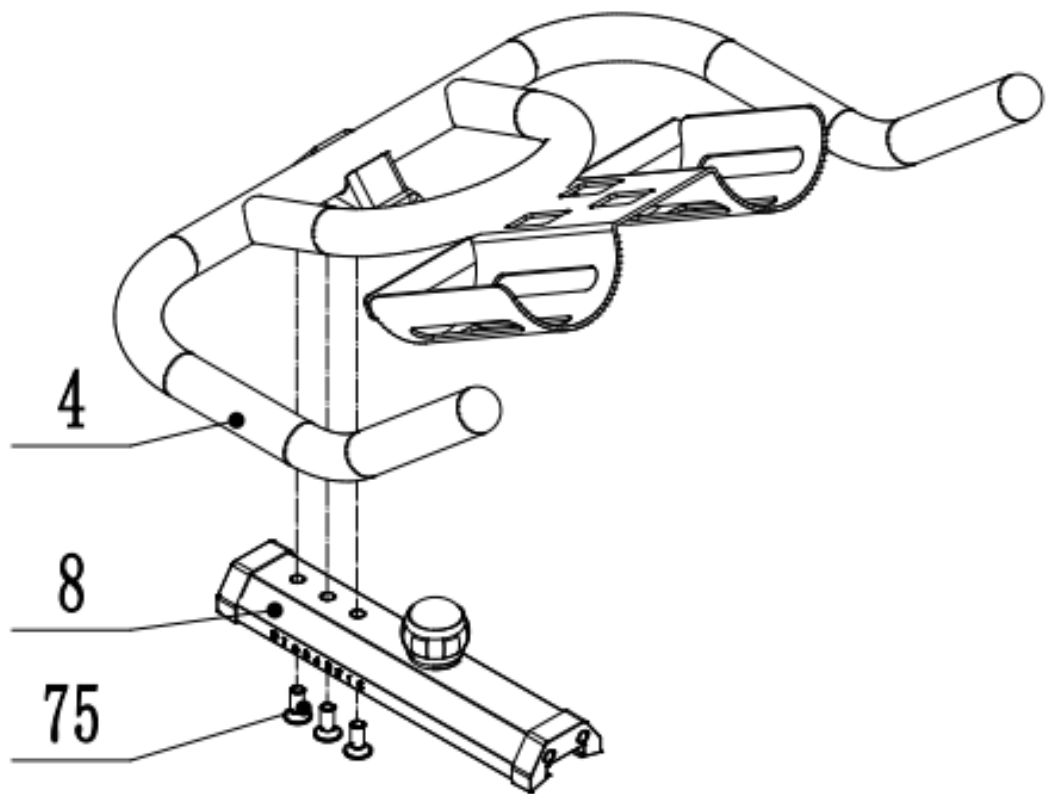




### STEP3:

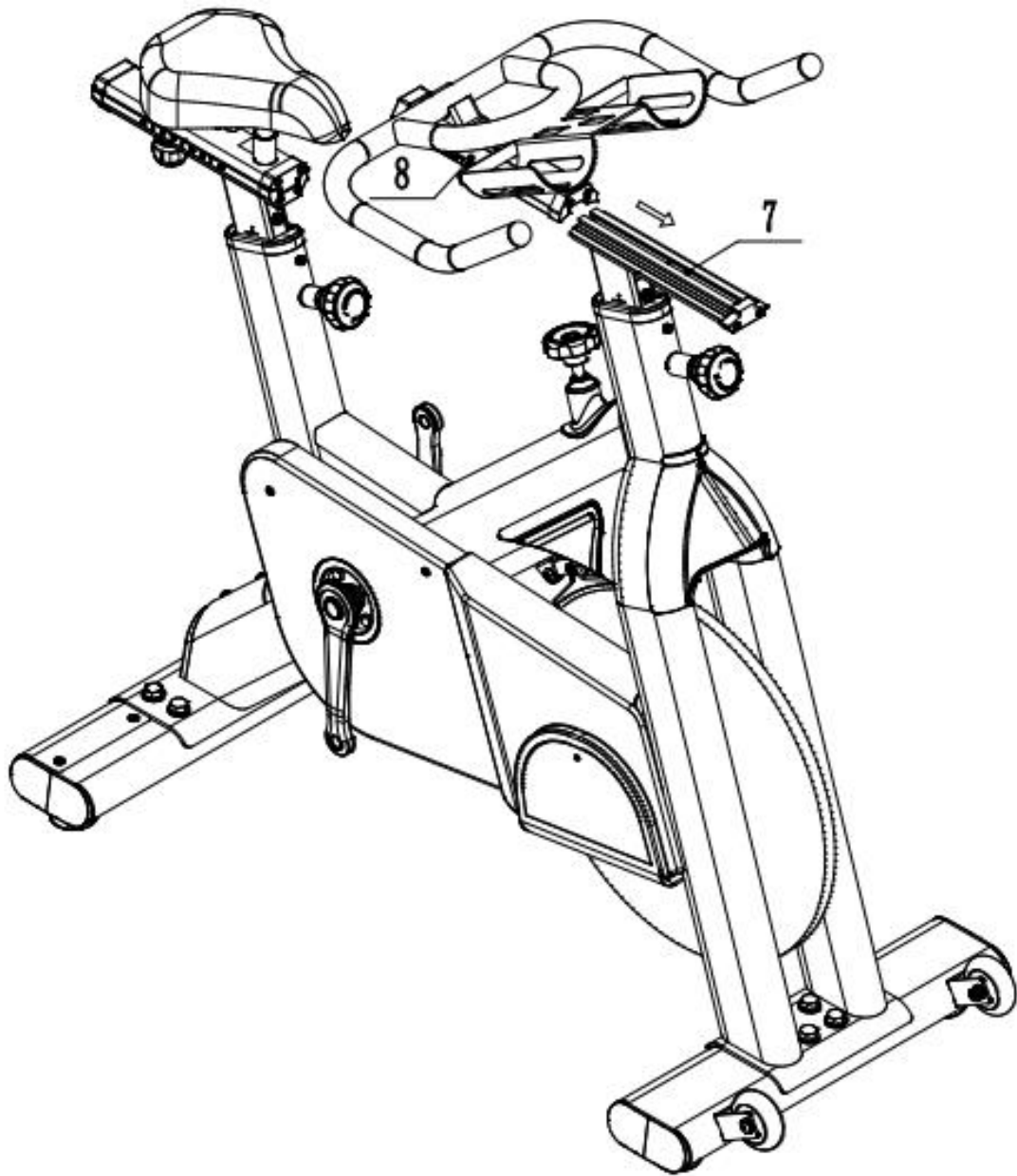
Fix Adjustment assembly of handleba7 onto the main frame 1 .

Fix Reducing sleeve 38 onto main frame1 with Spline pad 84 and Inertia wheel shaft sleeve 85.



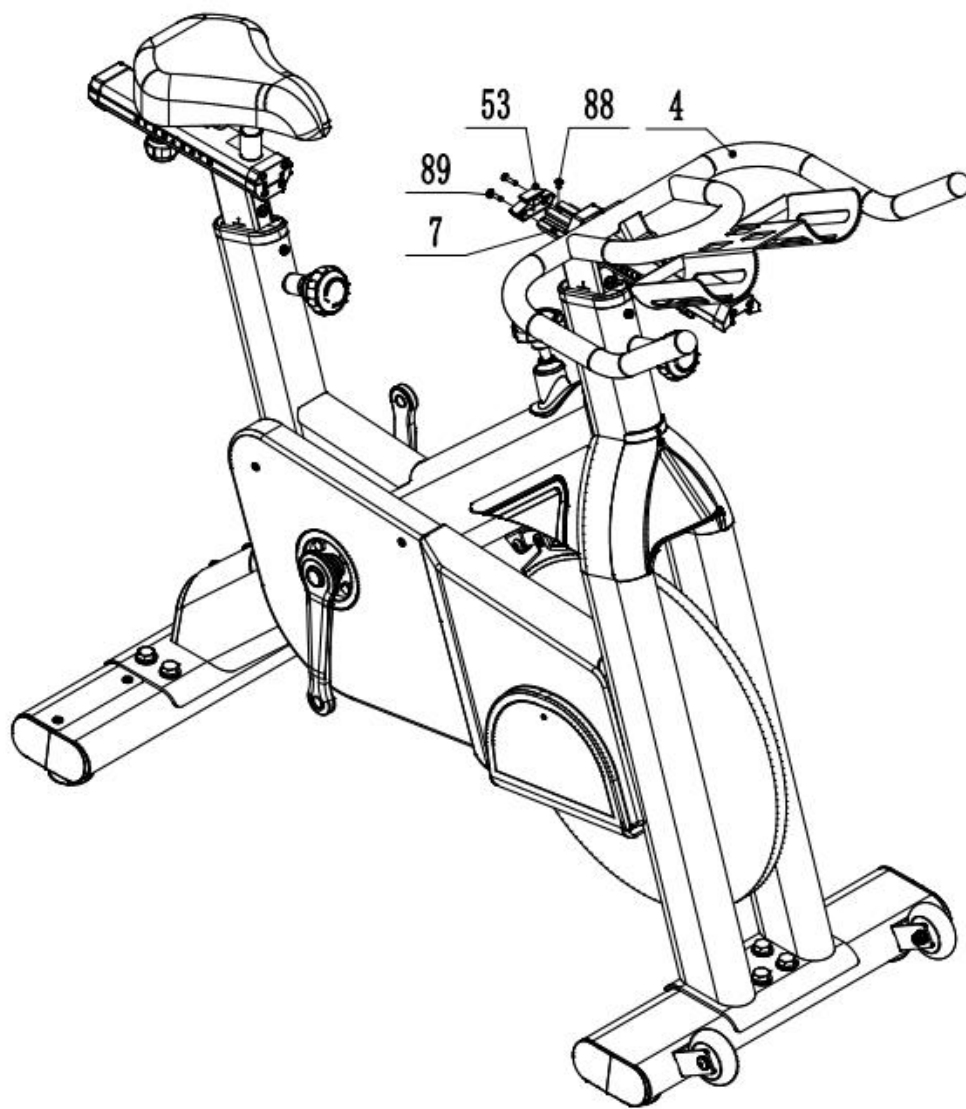
**STEP4:**

Fix handlebar 4 onto Adjustment assembly of handlebar 8 with M8\*20 inside hexagonal bolts 75.



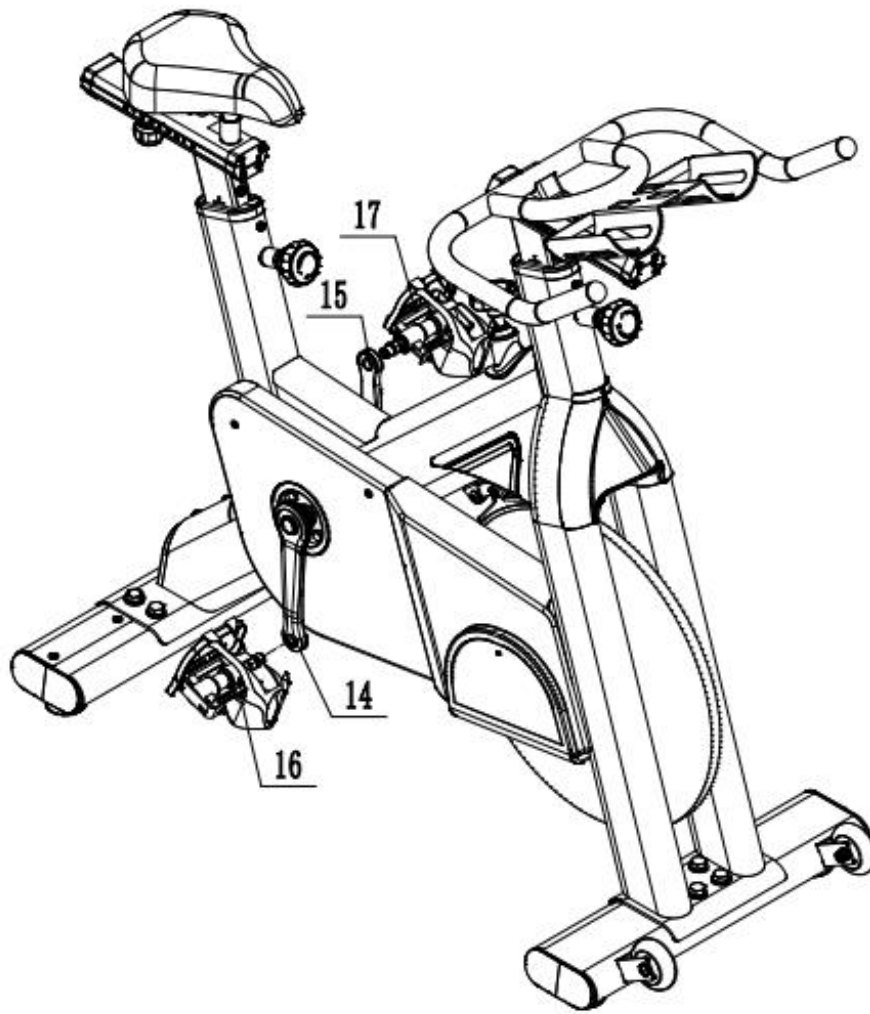
**STEP5:**

Fix handlebar onto the Adjustment assembly of handlebar 7.



**STEP6:**

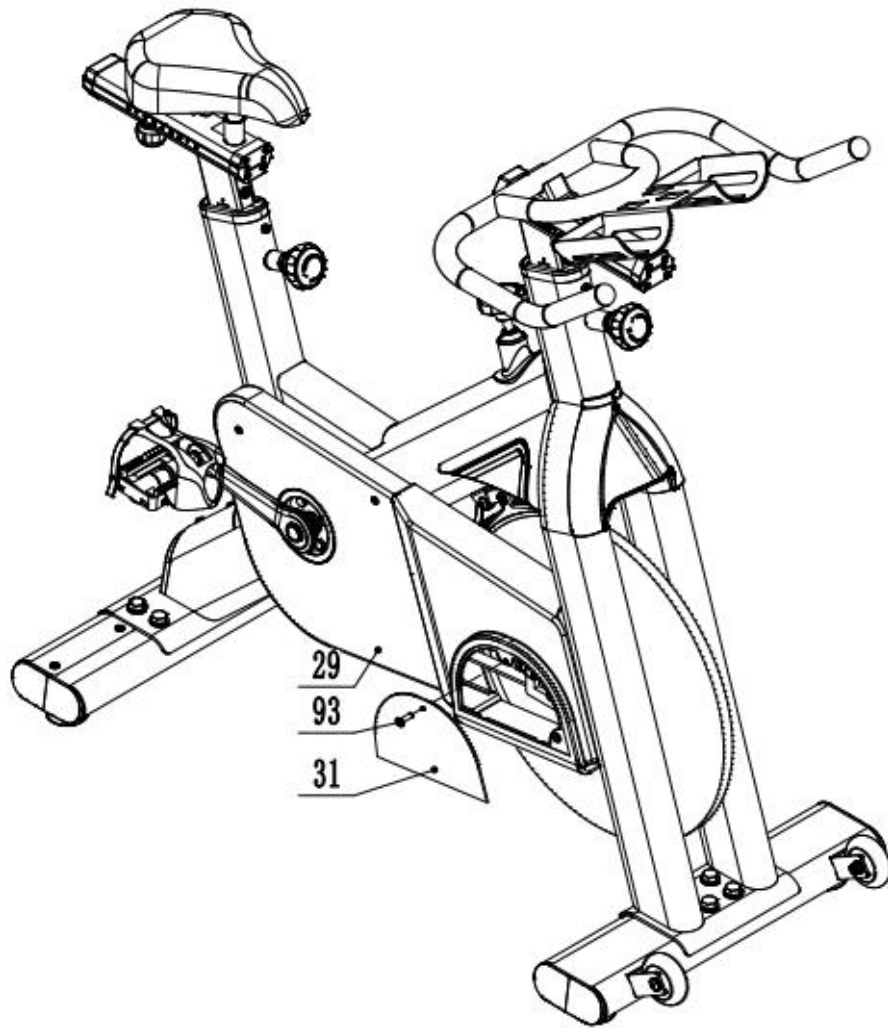
Insert handlebar 4 onto the Adjustment assembly of handlebar 7.  
Fix left pedal 14 and right pedal 15 onto main frame 1.



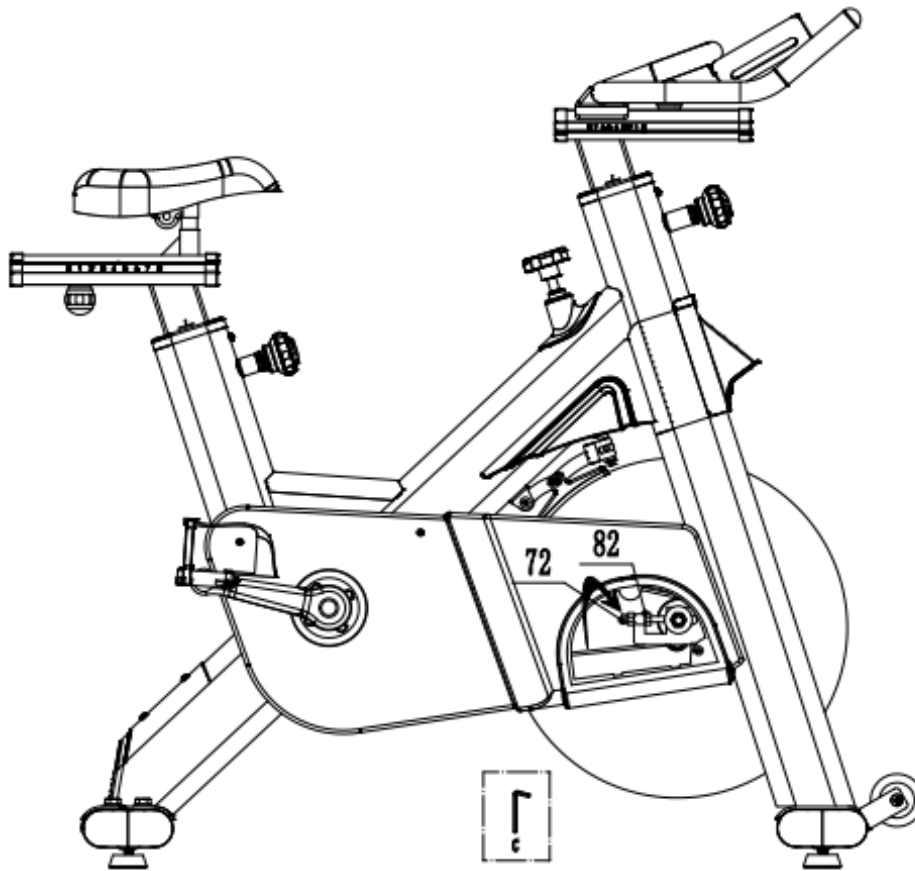
**STEP7:**

Fix left pedal16 and right pedal 17 onto the Right crank 14 and Left crank 15.

**Adjustable belt step:**



Step1、 If you want to adjust belt, first you loosen ST4.2\*15 Screw 93,opening adjusting plate 31 as above picture showing.



Step2.

Using 8mm SOCKET HEAD WRENCH B, adjust M8\*70 Allen head bolt (as above arrows show) to proper position in the clockwise direction until the belts is not slipping, The tension should be just tight enough not to slip.

### **Instruction manual:**

1. Hold down armrest pressure, so that the front wheel on the bottom of pipe ground can move the machine.
2. When using this equipment, be sure to make equipment affixed to the stable, if unstable, please swirling raised pad affixed until smooth.
3. When you use this equipment, please sit on the cushion, double foot pedal on the left and right, his hands clenched handlebar handrail, lower limb movement; you can also stand on your feet on the pedals around, both hands tight handlebar handrails, whole body movement.
4. Training, both feet on the pedals, while with the pedal with your feet fixed, or to wear special shoes with SPD self-locking system to lock sneakers, in order to prevent the foot from foot injuries.
5. When the user adjusts the seat or adjust the handlebar position, you want to

adjust the components of the locking pin counterclockwise to loosen pull, pull the elastic latch, adjusted to a suitable release elastic pull pin holes, make sure the elastic latch lock into the hole and tighten the locking knob.

6. When the matter in case of emergency braking is required, under the pressure of the brake knob please make cycling stopped.

7. To stop training, in accordance with the emergency brake on one, or slowly decelerate to a stop, and the resistance knob clockwise to lock, locking devices to prevent damage to the inertia wheel rotation.

8. This equipment is no freewheel device, due to inertia, inertia wheel training will lead to foot move together, in order to avoid bodily harm, under the guidance of professionals trained in the correct operation.

Care instructions:

1. Every three months, the pedal to tighten again.

2. If the screw is loose, please lock.

3. If the belt slipping phenomenon, please refer to the illustrated fastening bolt.





GARLANDO SPA  
Via Regione Piemonte, 32 - Zona Industriale D1  
15068 - Pozzolo Formigaro (AL) - Italy  
[www.toorx.it](http://www.toorx.it) - [info@toorx.it](mailto:info@toorx.it)