

TOORX
PROFESSIONAL LINE

INSTRUCTION



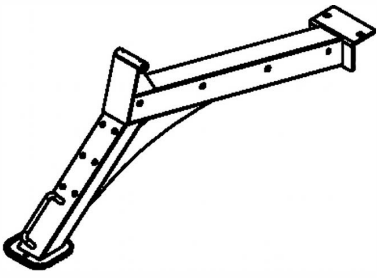
WBX900



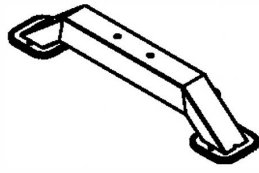
Cod : GRLDTOORXWBX900

Rev : 00

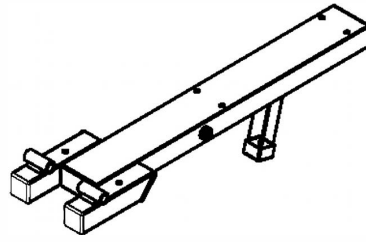
Ed : 12/22



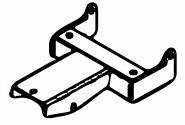
① × 1



② × 1



③ × 1



④ × 1



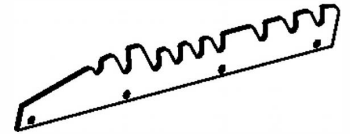
⑤ × 1



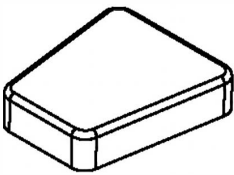
⑥ × 1



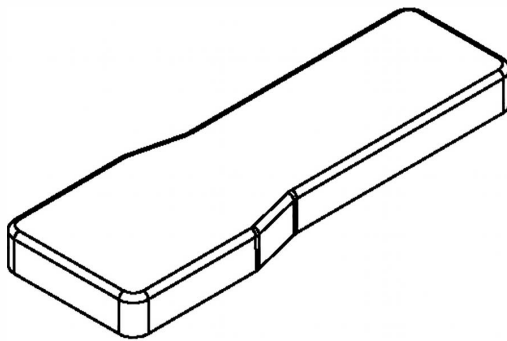
⑦ × 1



⑧ × 2



⑨ × 1



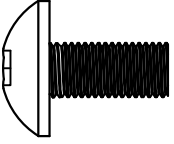
⑩ × 1



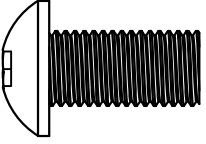
⑯ × 2



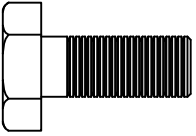
37 × 2



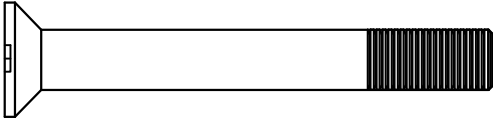
13 × 4



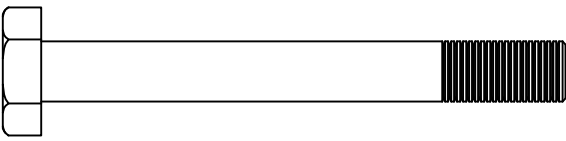
30 × 2



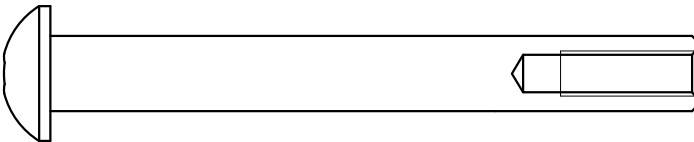
26 × 1



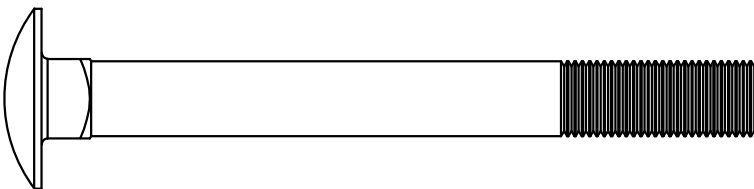
29 × 6



28 × 8

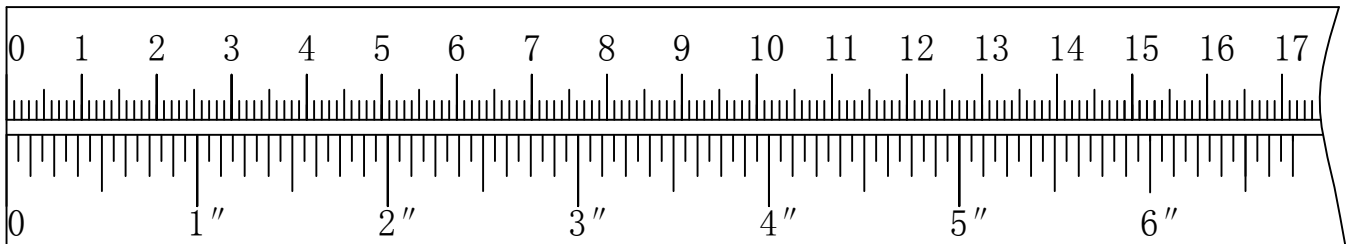


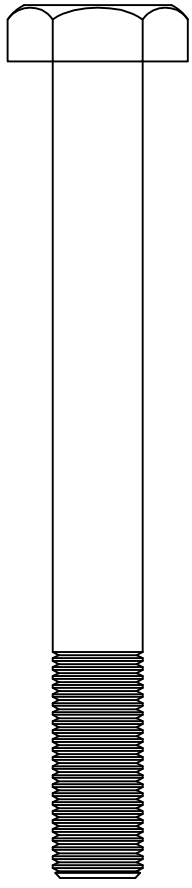
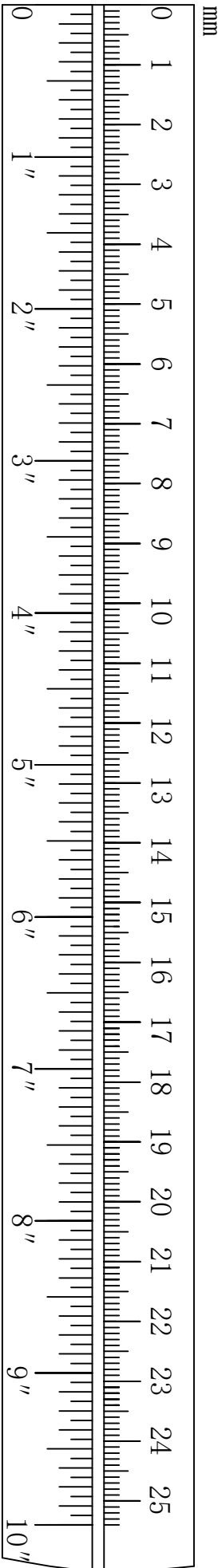
12 × 4



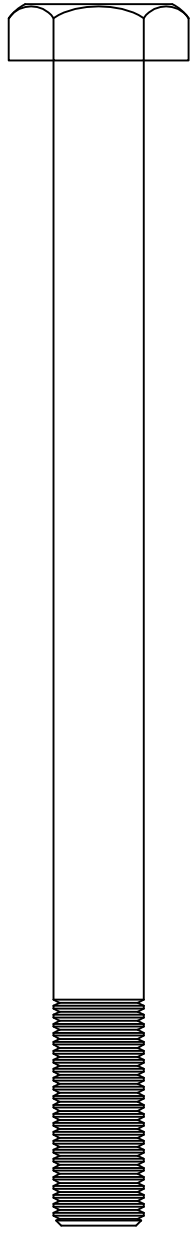
25 × 2

mm

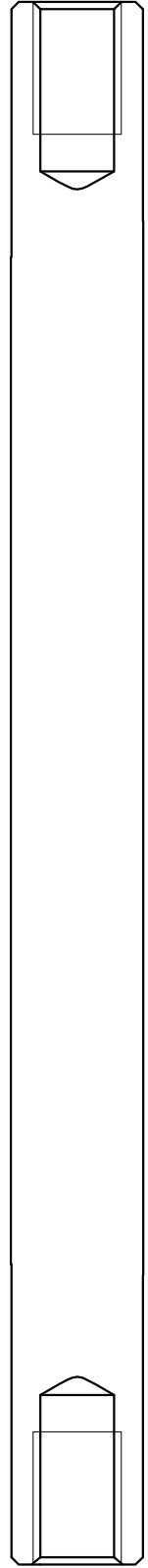




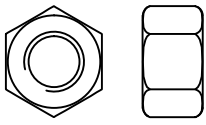
24 × 1



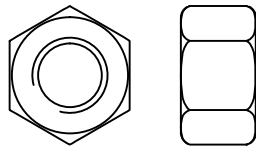
23 × 1



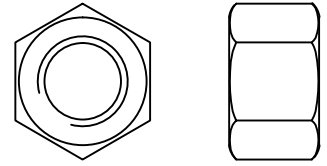
11 × 1



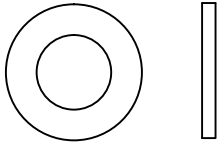
③③ × 6



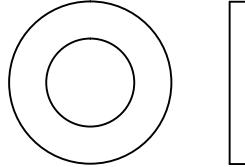
③② × 2



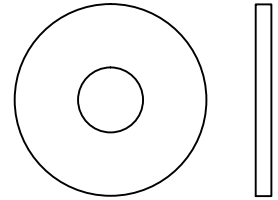
③① × 2



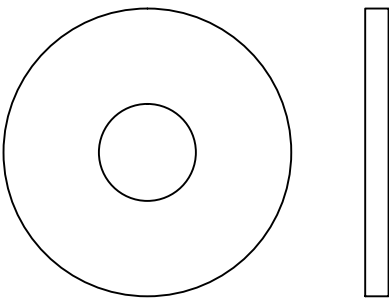
③⑥ × 9



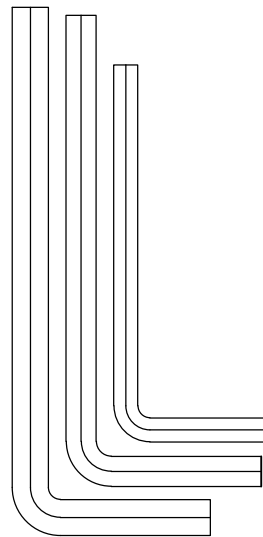
③⑤ × 12



③④ × 4



③⑧ × 6

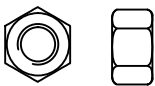


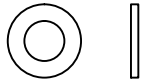
4# × 1

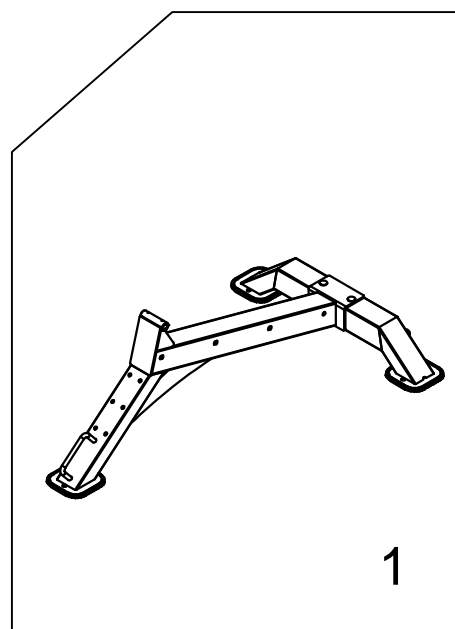
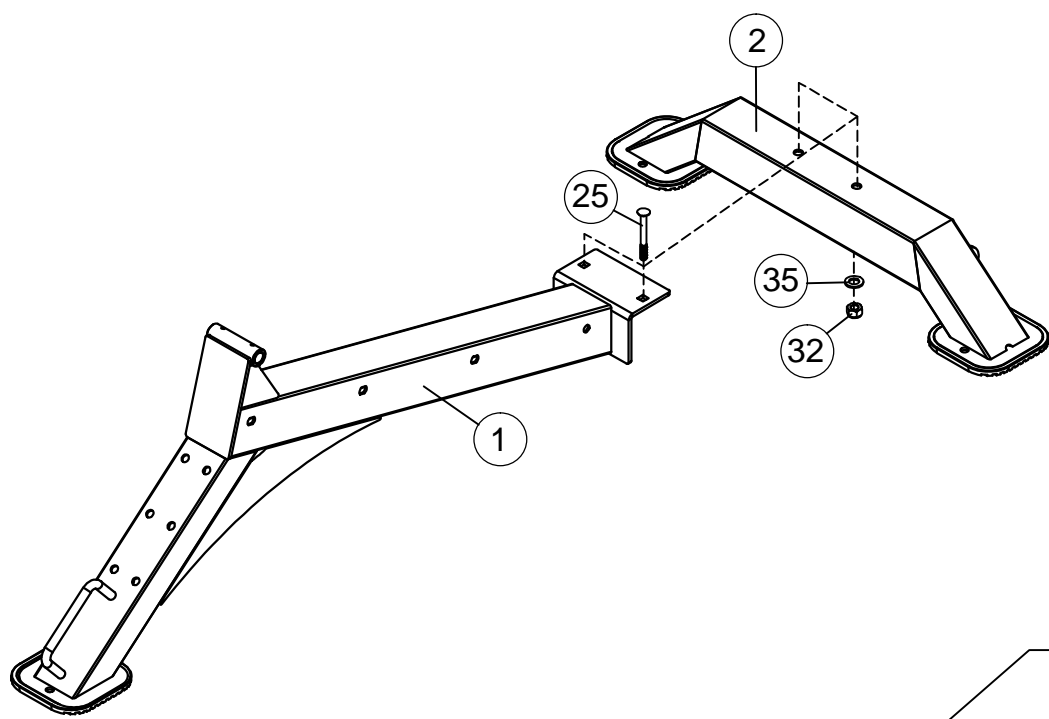
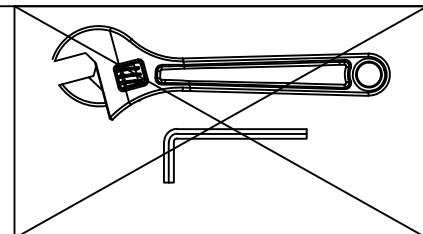
5# × 1

6# × 2


②⑤  ×2 M10× 95mm

③②  ×2 M10



③⑤  ×2 Φ10





⑫  ×4 Φ10×M8×86 mm

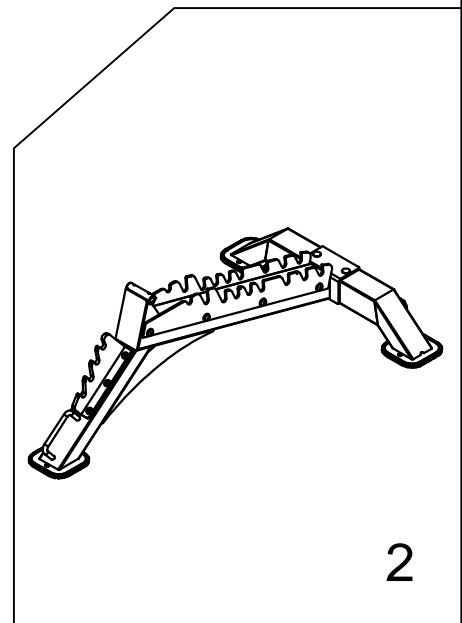
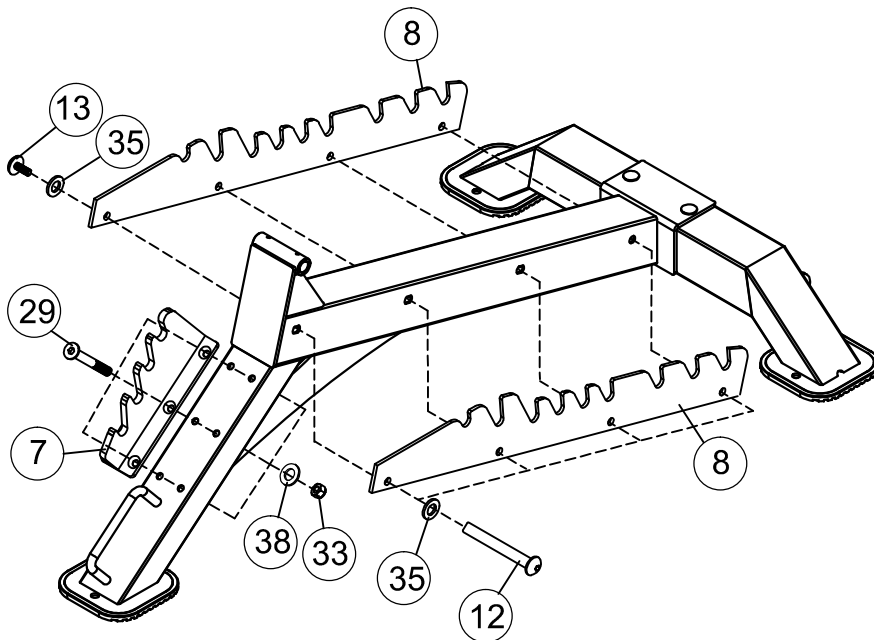
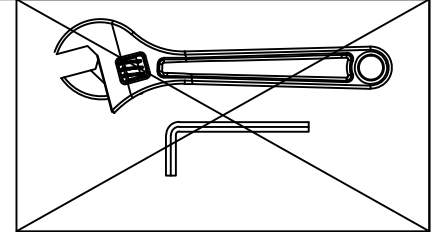
③⑤   ×8 Φ10

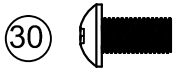
⑲  ×6 M8×65mm

③⑧   ×6 Φ24×Φ9

⑬  ×4 M8×16 mm

③③   ×6 M8

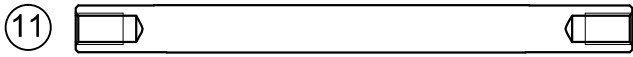




x2 M10x20



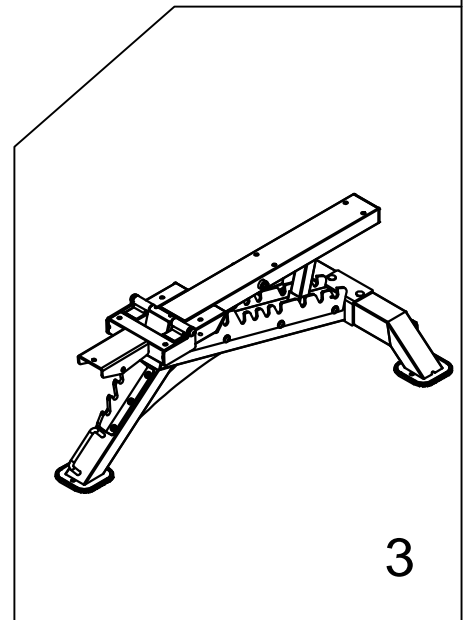
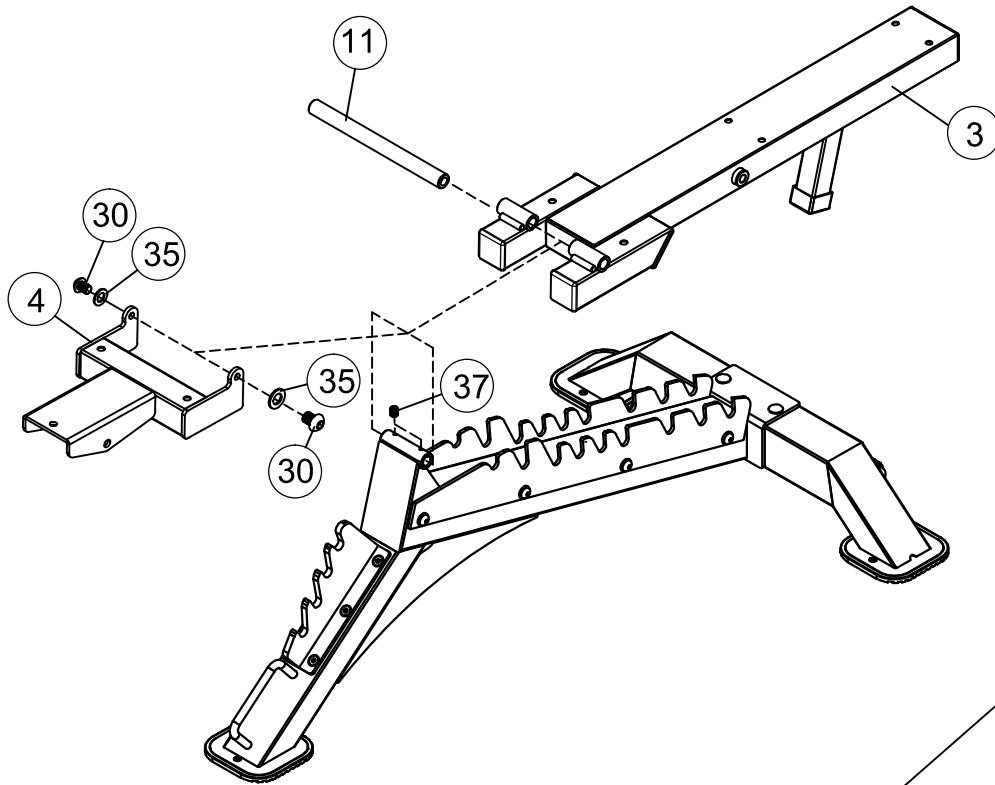
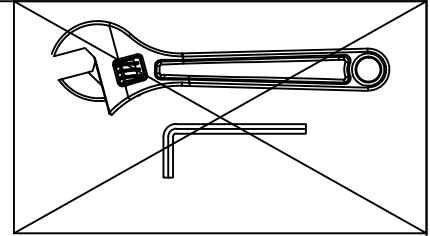
x2 M8x6

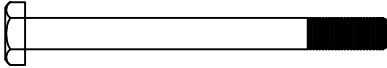


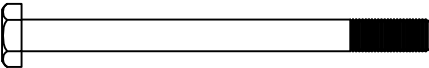




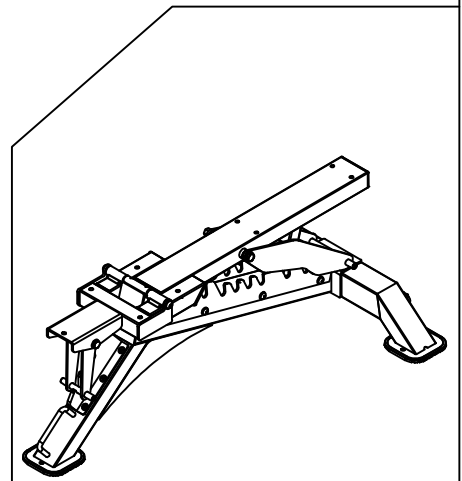
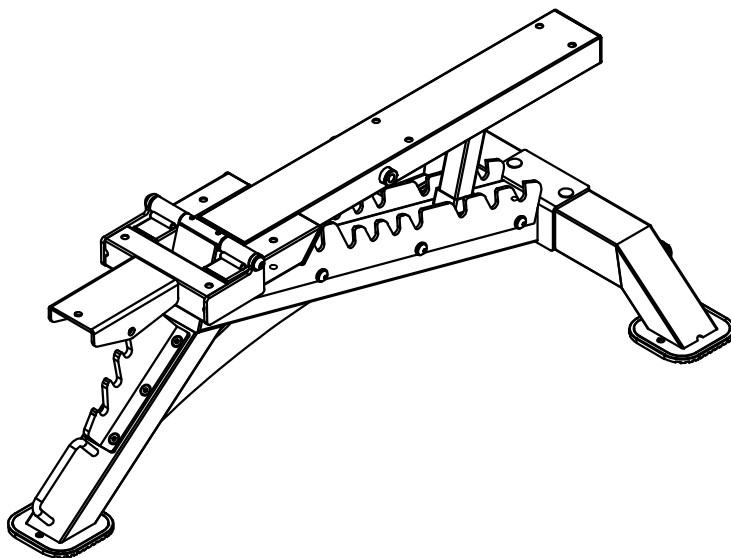
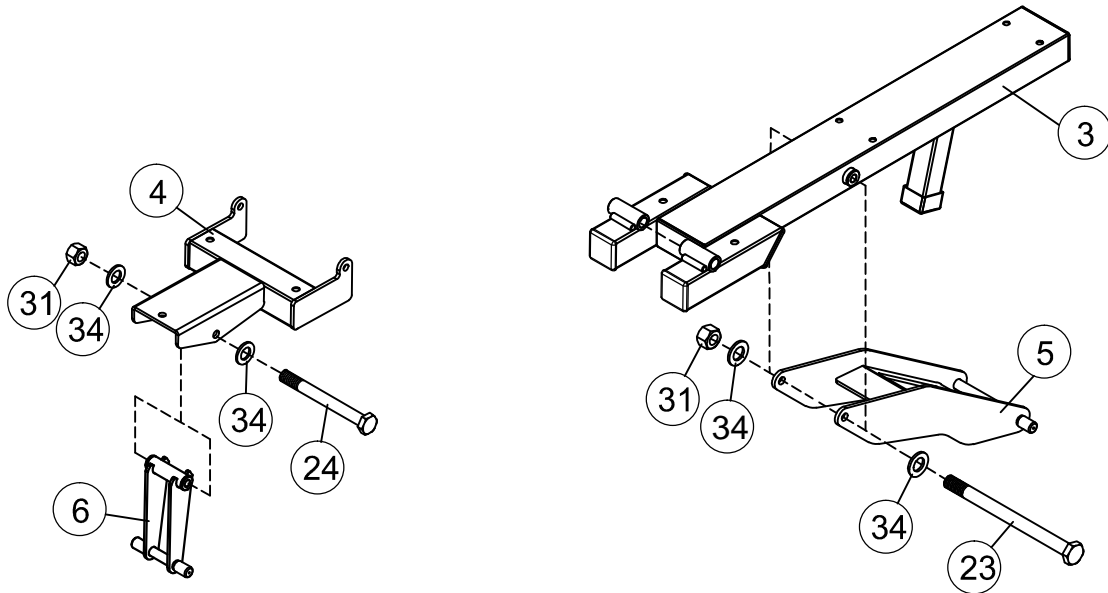
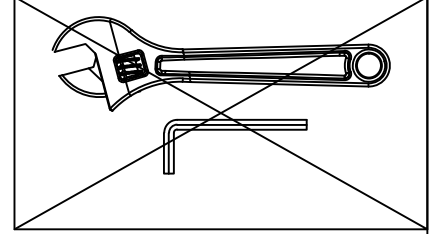
x1 M10x212



x2 Φ10




- | | | | | | | | | |
|----|---|----|------------|----|---|---|----|-----|
| ②④ |  | ×1 | M12× 110mm | ③④ |  |  | ×4 | Φ12 |
| ②③ |  | ×1 | M12× 155mm | ③① |  |  | ×2 | M12 |

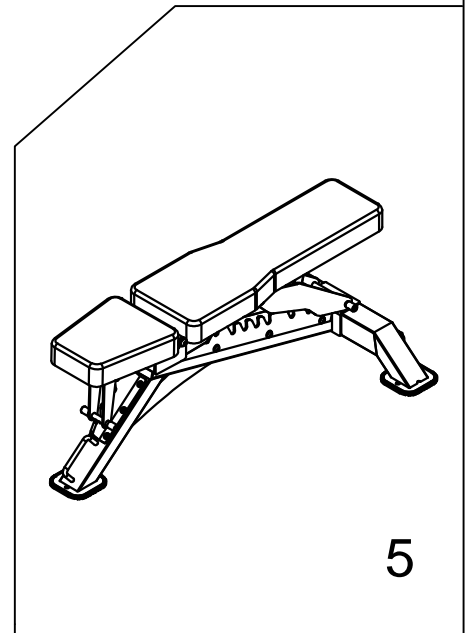
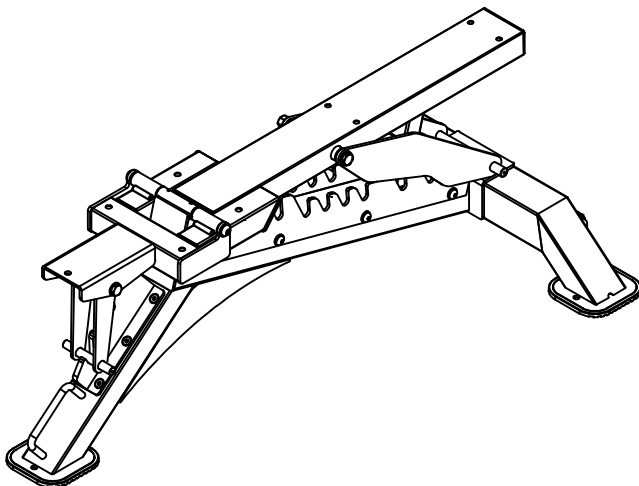
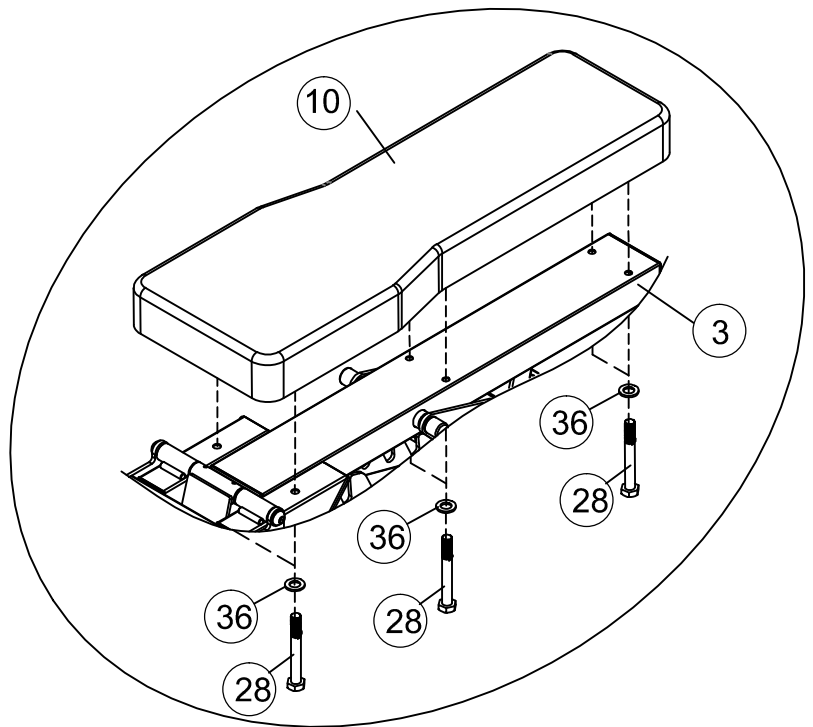
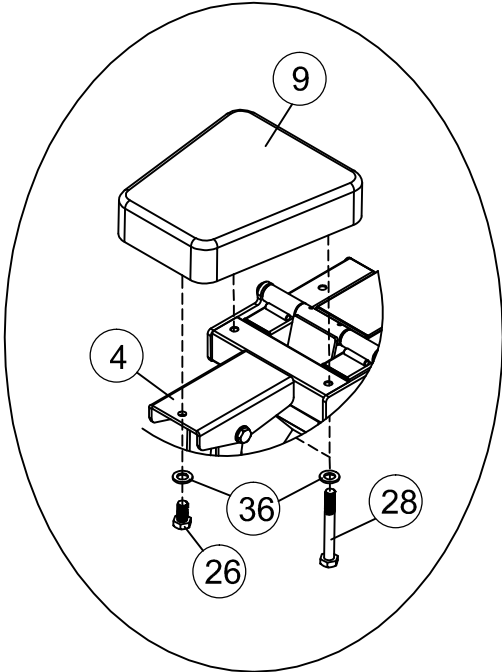
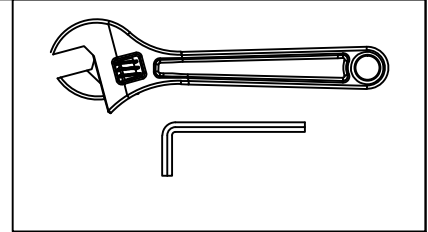


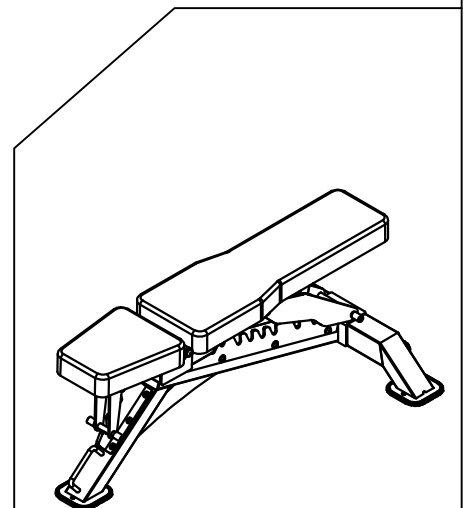
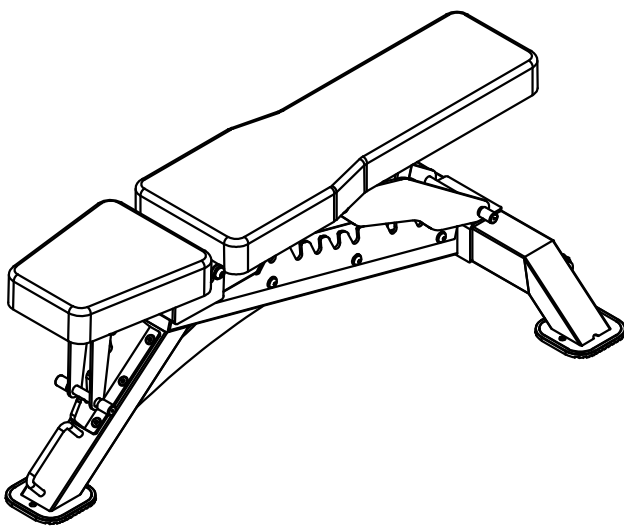
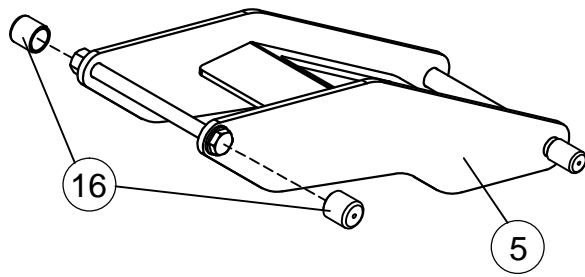
4

②⑥  ×1 M8×20mm

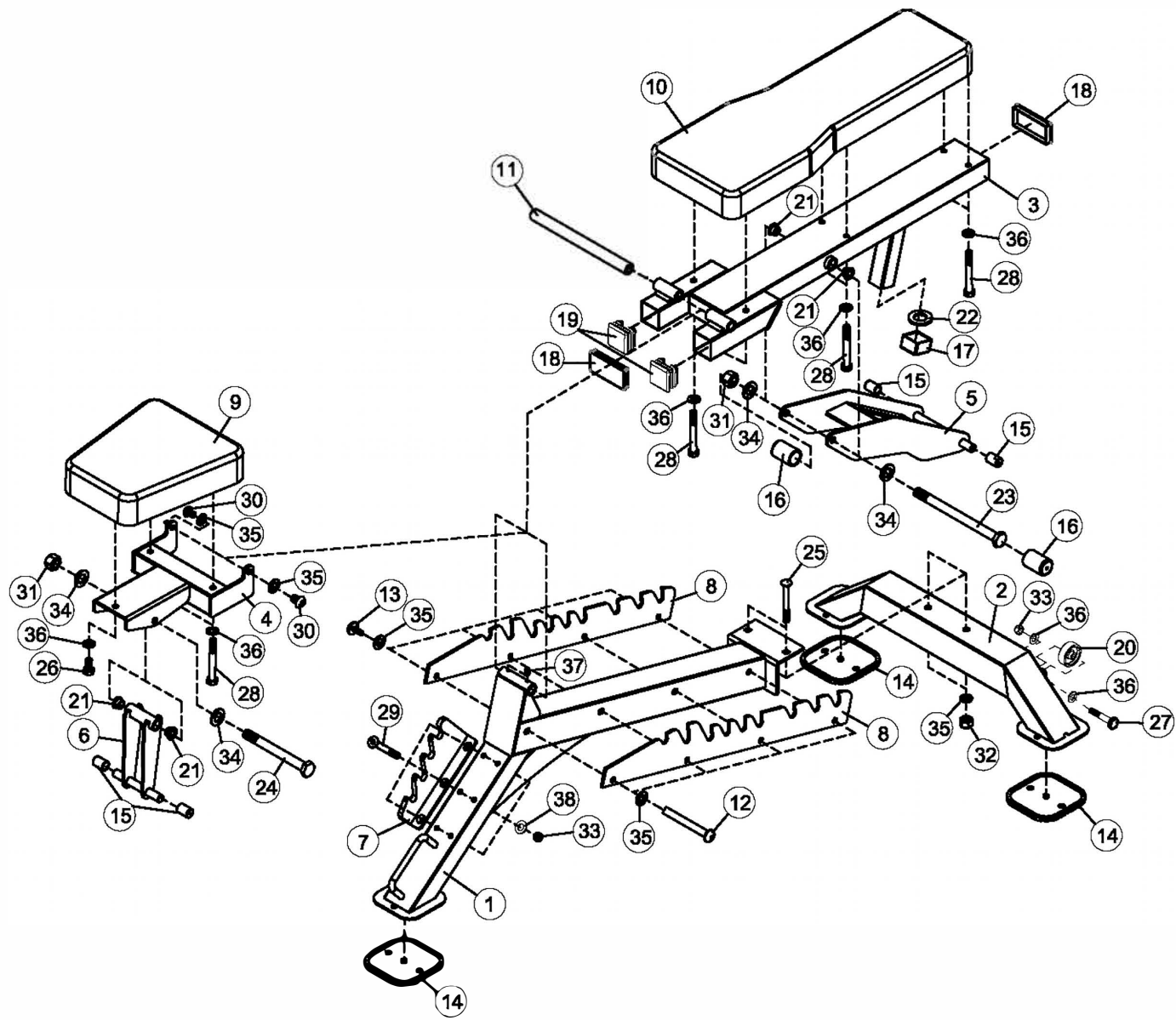
②⑧  ×8 M8×70mm

③⑥  ×9 Φ8





6



PARTS LIST

KEY NO.	PART DESCRIPTION	SPEC	Q' TY
1	Main Frame		1
2	Rear Stabilizer		1
3	Backrest Support		1
4	Seat Support Frame		1
5	Backrest Adjustment Support		1
6	Seat Adjustment Support		1
7	Fornt Adjustment Support		1
8	Rear adjusting tooth plate		2
9	Seat Pad		1
10	Backrest Board		1
11	Double head internal bolt	M10	1
12	Allen Bolt	φ10×M8×86	4
13	Allen Bolt	M8×16	4
14	Floor End Cap	□135×135×8	3
15	Rubber Bumper	φ20×φ16×29	4
16	Cover cap	M12	2
17	End Cap	□38	1
18	End Cap	□50×100	2
19	End Cap	□50	2
20	Wheel	φ50×28	2
21	Bushing bush	Φ25×Φ18×φ12.2×13	4
22	Washer	φ38×φ13×3	1
23	Hex Bolts	M12×155	1
24	Hex Bolts	M12×110	1
25	Carriage Bolt	M10×95	2
26	Hex Bolts	M8×20	1
27	Hex Bolts	M8×60	2
28	Hex Bolts	M8×70	8
29	Hex socket counter sunk head screw	M8×65	6
30	Allen Bolt	M10×20	2
31	Aircraft Nut	M12	2
32	Aircraft Nut	M10	2
33	Aircraft Nut	M8	8
34	Washer	12	4
35	Washer	10	12
36	Washer	8	13
37	Allen Bolt	M8×6	2
38	Washer	φ24×φ9×2	6
	Allen Wrench	4#	1
	Allen Wrench	5#	1
	Allen Wrench	6#	2



GARLANDO SPA
Via Regione Piemonte, 32 - Zona Industriale D1
15068 - Pozzolo Formigaro (AL) - Italy
www.toorx.it - info@toorx.it