

TOORX
PROFESSIONAL LINE

INSTRUCTION



ERX9000



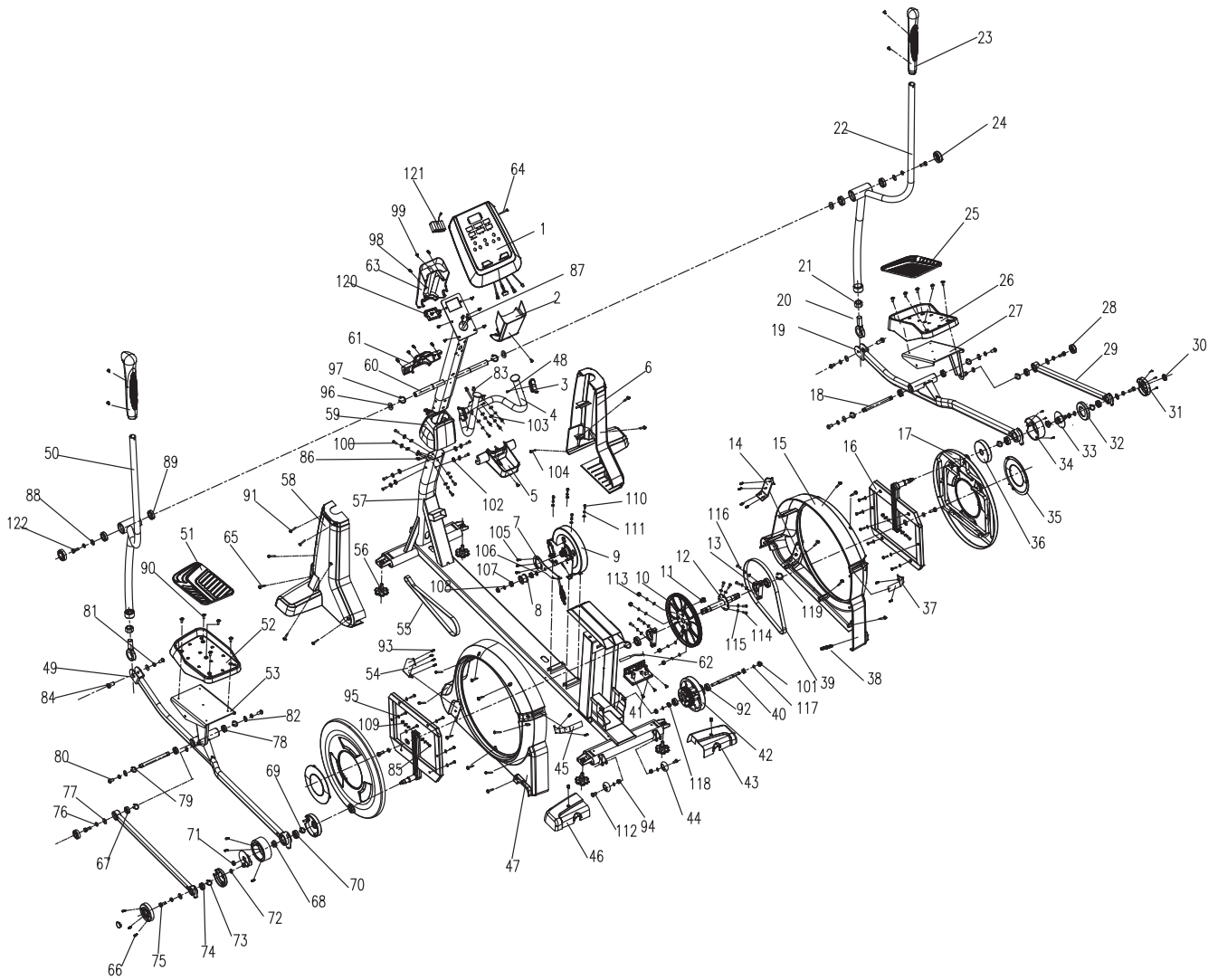
Cod : GRLDTOORXERX9000

Rev : 00

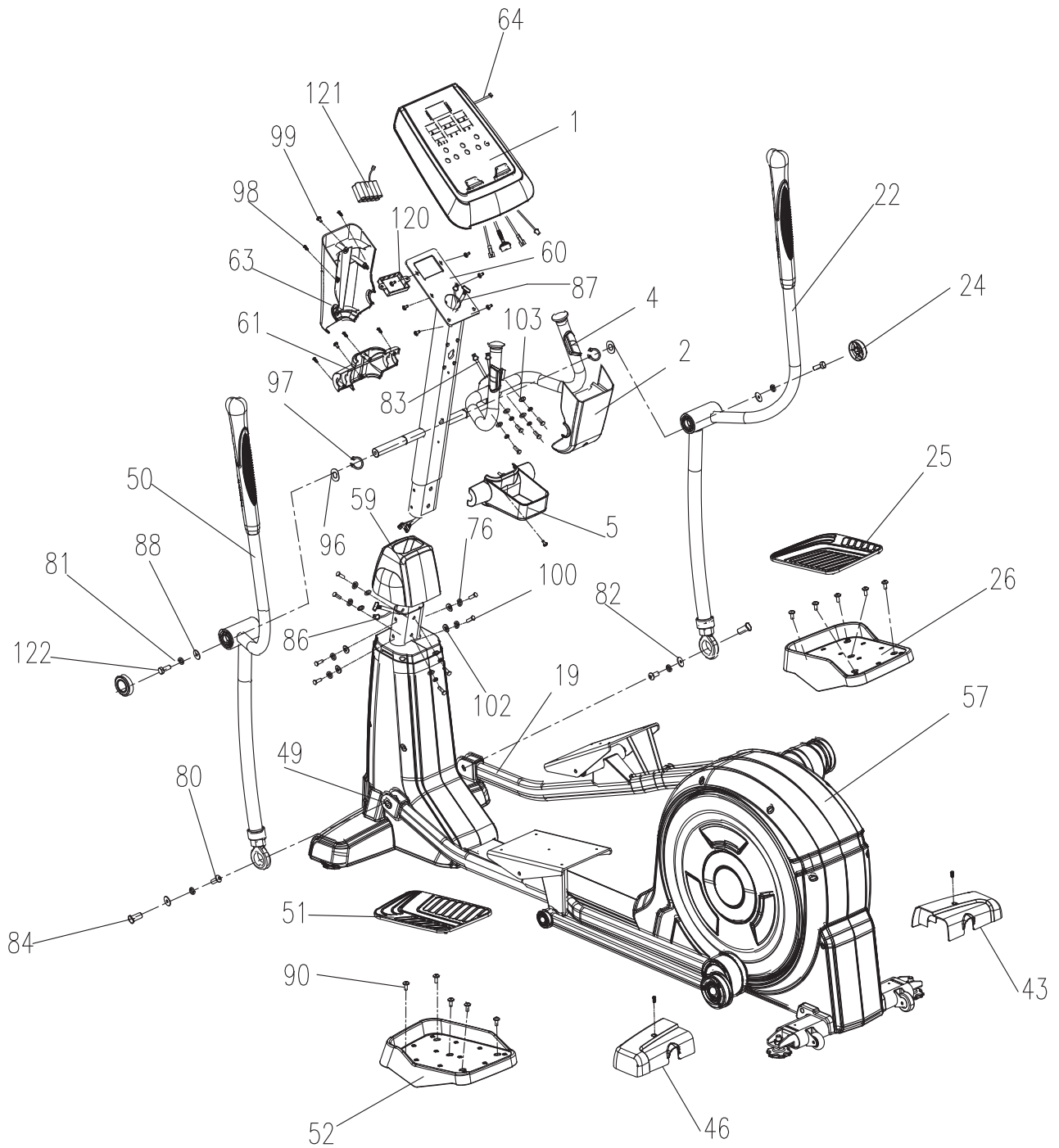
Ed : 10/18



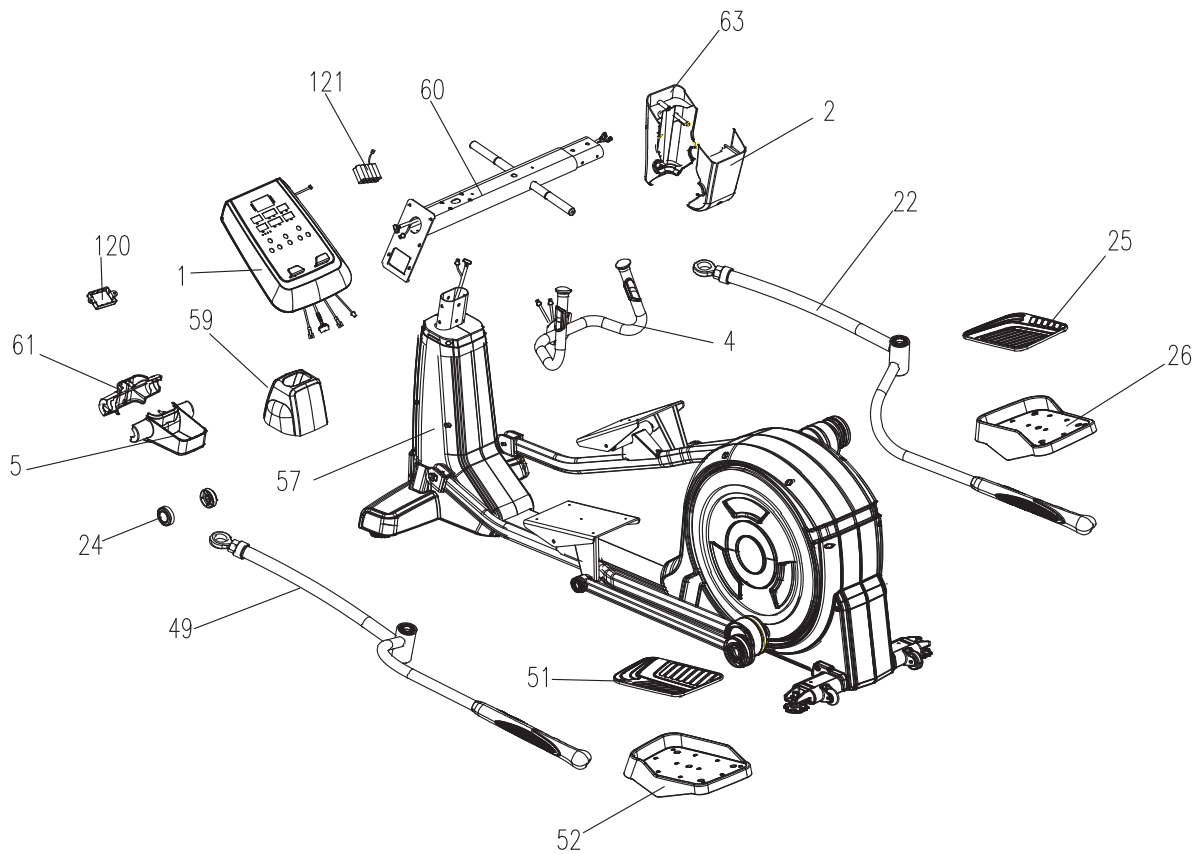
Big explosive view



Small explosive view

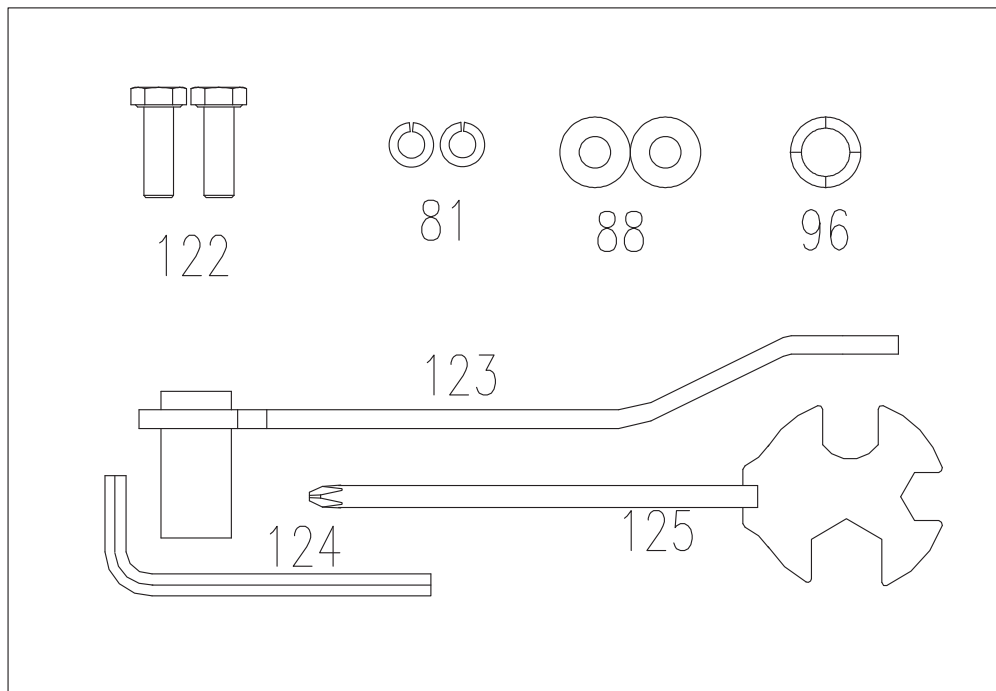


Assemble parts



Part No.	Description	Q'ty	Part No.	Description	Q'ty
1	computer	1	51	pedal pad(left)	1
2	cap underneath computer (front)	1	52	pedal (left)	1
4	Fixed handlebar	1	57	mainframe	1
5	Cap for handlebar post(front)	1	59	Cap for computer mast	1
22	Handlebar (right)	1	60	Computer mast	1
24	Screw cap	2	61	Cap for handlebar post(rear)	1
25	pedal pad(right)	1	63	cap underneath computer (rear)	1
26	pedal (right)	1	120	EMS battery box	1
49	Handlebar (left)	1	121	nih - ups for taian	1

TOOL



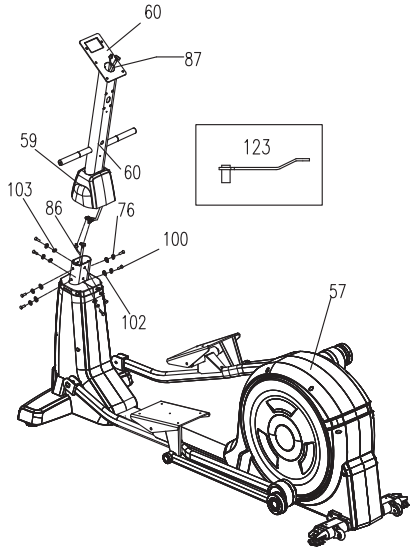
Part No.	Description	Q'ty
81	Spring washer	2
88	Flat washer	2
96	Wave washer	2
122	screw	2
123	VE730_Wrench	1
124	VM120_Hexagon wrench	1
125	AD6_Harpoon wrench	1

STAND TOOLS

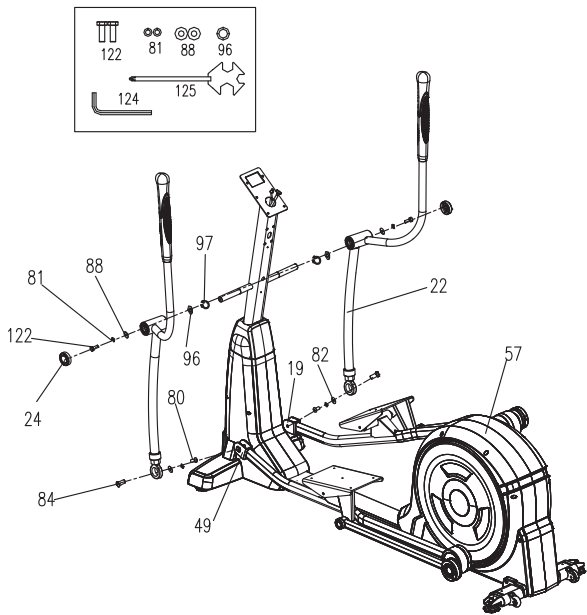
NO	Description	Material	SPEC.	Q'ty	NO	Description	Material	SPEC.	Q'ty
1	computer			1	67	bearing		1202	2
2	Cap underneath computer(front)	ABS		1	68	Nylon nut		M20	2
3	Pulse sensor			2	69	C-type ring		Φ51*Φ43.8*1.8T	2
4	Fixed handlebar			1	70	bearing		4204RS	2
5	Cap for handlebar post(front)	BAS		1	71	Nut pattern		M10*P1.25*10T	2
6	Cap for handlebar	ABS		1	72	Wave washer		Φ15.5*Φ19.5*0.3T	4
7	idler			1	73	C-type ring		Φ35*1.5T	4
8	Idler roller			1	74	bearing		6202 2RS	2
9	EMS flywheel			1	75	screw		M8*25	6
10	Big pulley			1	76	Spring washer		Φ8.1*2.5T	18
11	Magnetic ring			1	77	Flat washer		Φ8*Φ22*2T	4
12	shaft			1	78	bearing		6003 2RS	4
13	Bearing bracket			2	79	C-type ring		Φ15.7*Φ19.4*1	4
14	Cap for chain cover(right)	ABS		1	80	screw		M10*25	6
15	Chain cover(right)	ABS		1	81	Spring washer		Φ10*2.5T	12
16	Cross bar			2	82	Flat washer		Φ10*Φ25*2T	10
17	Disc	ABS		2	83	Pulse wire		550L	2
18	Pedal pivot			2	84	Connecting screw for lower handlebar		Φ16*33.5	2
19	Pedal arm(right)			1	85	screw		M10*55L	2
20	bearing			2	86	Cable lower section		2900L	1
21	Hexagon nut		M24	2	87	Cable upper section		650L	1
22	Handlebar(right)			1	88	Flat washer		Φ10.2*Φ38*2T	2
23	Grip for handlebar			2	89	bearing		6005 2ZZ	6
24	Screw nut	PP	Φ60	2	90	screw		M6*12L	10
25	Pedal pad(right)	TPR		1	91	screw		ST3.9*50L,	8
26	Pedal (right)	PP		1	92	bearing		6301 2ZZ	2
27	Pedal plate(right)			1	93	screw		ST2.9*8L	12
28	Screw nut	PP	Φ47	2	94	Nylon nut		M8	3
29	Connection support tube			2	95	Flat washer		Φ4.5*Φ16*1.5	12
30	Screw nut	PVC		2	96	Wave washer		Φ25.5*Φ31*0.3T	2
31	Out-Cover for connection socket	ABS		2	97	C-type ring		Φ23.2*Φ28.2*1.2T	2
32	In-Cover for connection socket	ABS		2	98	screw		ST3.5*16L,	5
33	crank			2	99	screw		M5*16L	19
34	Out-Cover for connection socket	ABS		2	100	screw		M8*P1.25*25L	12
35	Cap for disc	ABS		2	101	Nut pattern		M12*P1.0*10T	2
36	In-Cover for connection socket	ABS		2	102	Semicircle washers		Φ8*Φ19*2T	4
37	Cap for chain cover(right)	ABS		1	103	Flat washer		Φ8*Φ19*2T	12
38	Shaft for chain cover	ABS		1	104	screw		ST3.5*10L	1
39	Drive belt		440J8	1	105	screw		Φ6.2*15L(M5*10.5L)	3
40	Pulley spindles			1	106	Wave washer		Φ10.2*Φ13*0.3T	1
41	control panel			1	107	Bearing		6000 2RS	2
42	pulley			1	108	Flat washer		Φ8*Φ14*2T	1
43	Cover of front stabilizer(right)	ABS		1	109	Nylon nut		M10	2
44	End cap of front stabilizer			2	110	screw		M6*16L	4
45	Cap for chain cover(left)	ABS		1	111	Spring washer		Φ6.1*1.6T	8

46	Cover of front stabilizer(left)	ABS		1	112	screw		M8*40L*S18L	2
47	Chain cover(left)	ABS		1	113	Nylon nut		M6	4
48	screw		ST3.5*20L	2	114	screw		M6*25L	4
49	Pedal arm(left)			1	115	Flat washer		Φ6.5*Φ16*2T	12
50	Handlebar(left)			1	116	screw		M6*35L	4
51	Pedal pad(left)			1	117	Flat washer		Φ12*Φ18*2T	2
52	Pedal (left)	PP		1	118	screw		M12*P1.0*7T	2
53	Pedal plate(left)			1	119	C-type ring		Φ51*Φ43.8*1.8T	2
54	Cap for chain cover(left)	ABS		1	120	EMS battery box	ABS		1
55	Drive belt		410J8	1	121	nih - ups for taian		Ni-MH AA2000mAh 12V	1
56	End cap of rear stablizer	PP+TPR		2	122	screw		M10*25L	2
57	mainframe			1	123	VE730 Wrench			1
58	Cap for handlebar post(rear)	ABS		1	124	VM120 Hexagon wrench		6mm*35mm*115mm I	
59	boot	ABS		1	125	AD6 Harpoon wrench		13.15.17	
60	Computer mast			1					
61	Cap for handlebar post(rear)	ABS		1					
62	Sensor cable		400L,26mml	1					
63	Cap underneath computer(rear)	ABS		1					
64	Battery connecting wire			1					
65	screw		3/16**3/4"	14					
66	screw		ST3.9*16L	24					

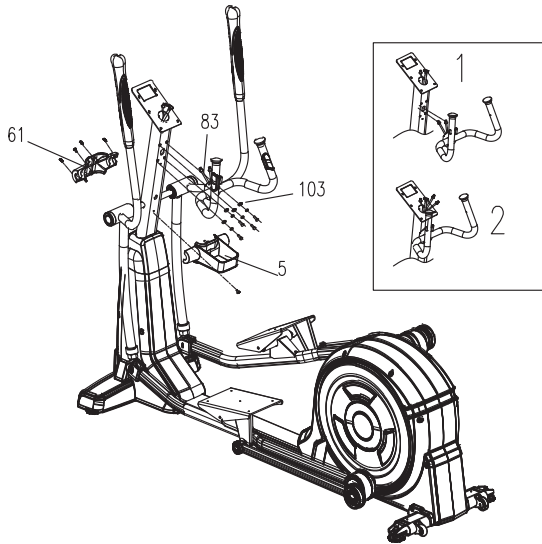
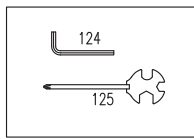
ASSEMBLY INSTRUCTION



Step 1 :
 Insert the handlebar post to the main frame through the plastic cover. Connect the motor cable. Fasten the screws and washers to fix the handlebar post.

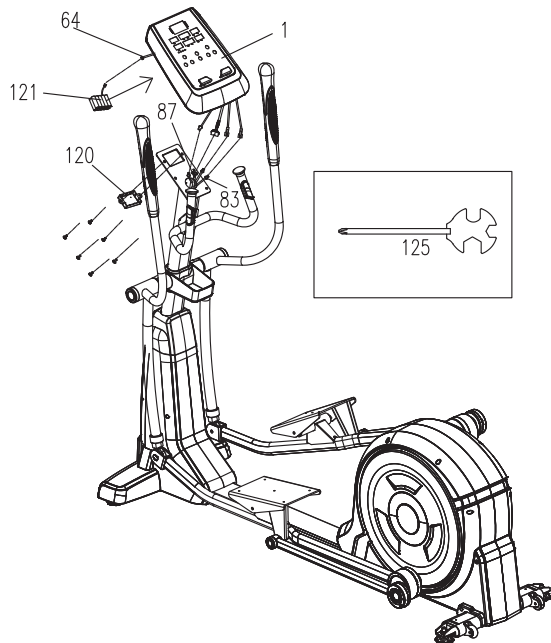


Step 2:
 Assemble the handlebar to the bracket on the handlebar post with wave washer, plat washer, spring washer. Fix the spring washer, plat washer. Screw on the screws for lid. Insert the plastic cover. Connect the pedal tube with the central supporting tube, make the left side and right side at the same position.



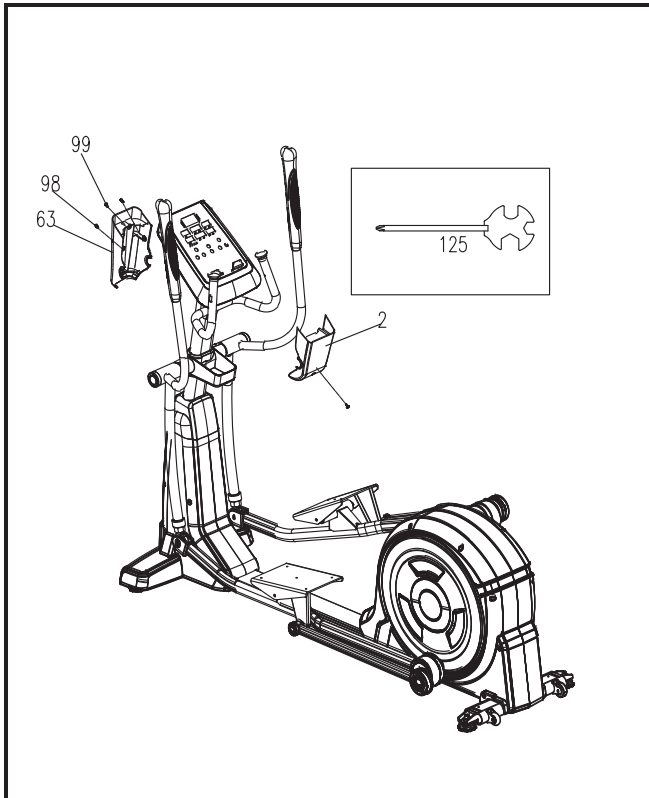
Step 3:

Assemble the handlebar. Connect the heart rate handlebar with the central supporting tube. Connect the sensor wires. Then fasten the handlebar with screws. Don't pinch the heart rate cable. The screw on the water bottle holder.

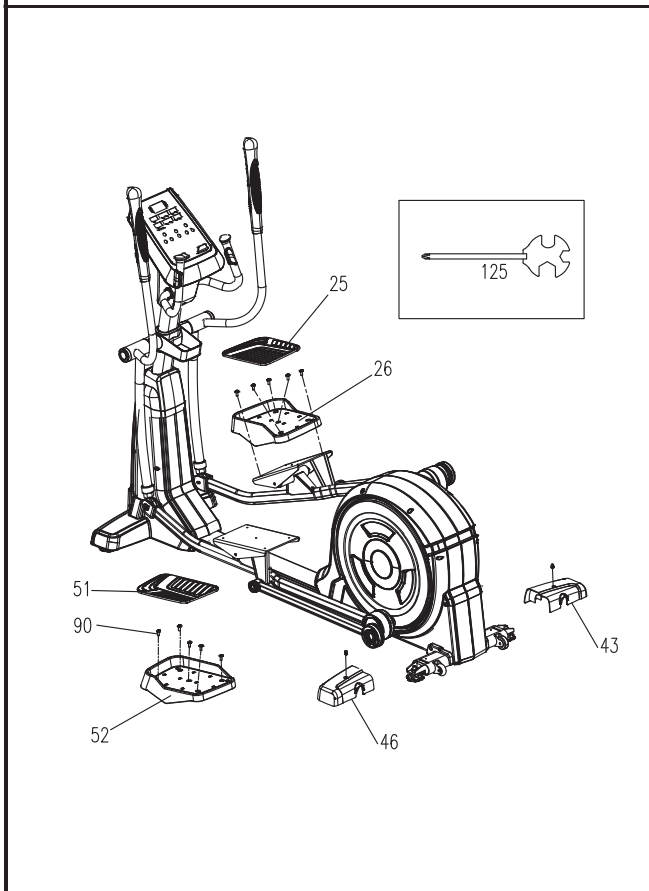


Step 4:

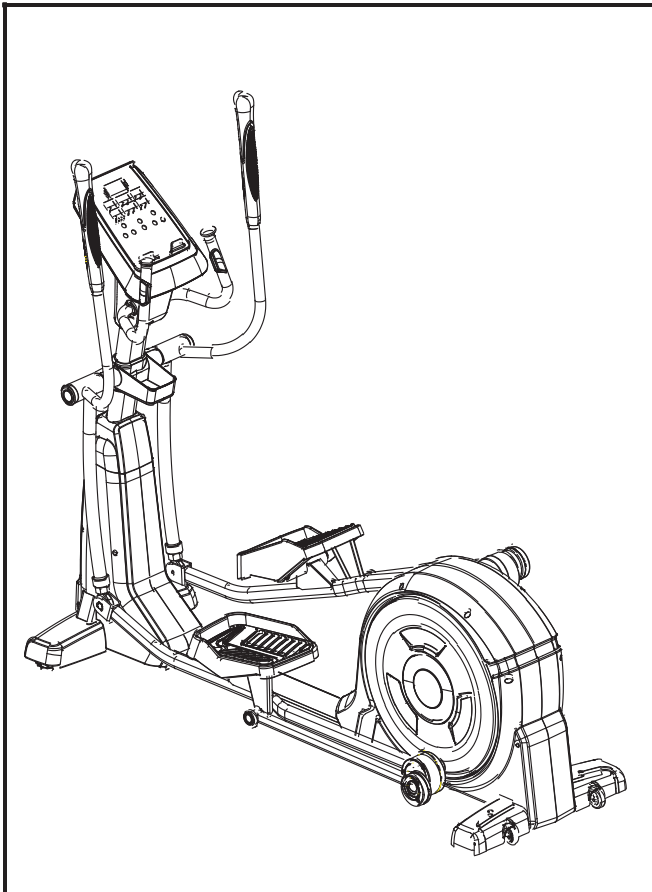
Assemble the console. Plug in the cables between the console and the handlebar post. Side the console to the bracket and equipped with Lithium battery.



Step 5:
 Assemble the handlebar shroud. Put the plastic shroud on the heart rate handlebar as shown in the figure.



Step 6:
 Attach the pedals the frame assembly. According to the figure, assemble the pedal first, then put the pedal pad. Then put on the stabilizer shroud.



STEP 7

EXERCISE COMPUTER MANUAL

Function

TIME: 0:00~99:00, can be preset countdown
DISTANCE: 0.00~99.50km, can be preset countdown distance
CALORIES: 0~990, can be preset countdown calories
PULSE: P-40~220, can be preset maximum heart rate
WATT: 20~300, can be preset power values
MANUAL: 1~32 level
PROGRAM: P1~P12
H.R.C: 55%、75%、90%、IND (TARGET)
USER DATA: U0 ~U4
◆GENDER: FEMALE / MALE
◆AGE: 10-25-99
◆HEIGHT: 100-1670-200 (CM)
◆WEIGHT: 20-50-150 (KG)



Operation For heart rate recovery rate, test activists on movement after a period of time, press the button for 1 minute, when the time arrives, electronic watch rating points campaigner F1 - F6 physical state

1. Turn on the juice after electronic watch into the boot mode: buzzer beep a 1 second long sound, at the same time dot matrix display KM, 1 seconds into U0 model window
2. Digital display U0 can press "+"/" - "button to choose U0 ~ U4, selected according to the input/ENTER key to confirm, then set gender, age, height, weight of personal data, press the "input/ENTER" key to confirm.
3. If you choose the manual function, press the "input/ENTER" key confirmation, then press the " + "/" - "key set all the functions such as setting (such as time/distance/heat/heart rate), press" begin/START "which began to exercise, sports can press" + "/" - "key to adjust the set value.
4. If you choose other functions (such as application/power/set/heart rate, etc.), press the "RESET/RESET" key, press the "+"/" - "key choice function (such as application/power/set/heart rate, etc.).Chosen according to the input/ENTER key after confirmation, and then press the "+"/" - "key set all the functions such as setting (such as time/distance/Heart rate), press the "START/START" key which began to exercise, the movement can press "+"/" - "key to adjust the set value.

Operational approach

Heart induction: users holding device in hand 5 seconds will display the user's heartbeat.

General pattern: activists can operation buttons to set time/distance/heat/heart rate to achieve self-movement schedule, each function set according to the values fall to zero. Without setting directly trample the sports equipment, various functions on the numerical number accumulated.

Automatic shutdown: in the boot state is as long as no operating any button, and no signal input, electronic watch will automatically shut down the power supply in 4 minutes into sleep according to temperature, Press any key one or have a motion signal input can be restored to normal state.

Key Description

START : Let the computer run
RECOVERY : For heart rate recovery rate, test activists on movement after a period of time, press the button for 1 minute, when the time arrives, electronic watch rating points campaigner F1 - F6 physical state
+ : Increase the function of numerical (time/distance/heat/heart rate, etc.)
- : reduce the function of numerical (time/distance/heat/heart rate, etc.)
RESET : The original various numerical zero, reset the values
ENTER : To choose time/distance/heat/level/switch button and confirm the keys, such as heart rate function

Heart rate response when the heart rate detection, please press the "restore/RECOVERY" key Reply can begin to detect the heart function.

If the test of time from 1 minute countdown to 0:00, heartbeat symbol will continue to blink until to 0. Please tight handshake grip to detect 1 minutes heartbeat, maintain its heartbeat symbol flashing and detection, time to return 0, electronic watch interpretation reply user heartbeat F1 ~ F6 level.

Heart rate response series	The user reply heart conditions	The heartbeat detection gap (Before and after the test)
F1	Excellent	average deviation 50
F2	Very good	40-49
F3	Normal	30-39
F4	Fair	20-29
F5	Need to strengthen sports	10-19
F6	Exercise insufficiency	Less than 10

Heart rate control mode

This function as a user heartbeat value control practice the exercises of resistance, basically in accordance with the required movement purpose and has the following four kinds of state:

- i.55% -- Dieting effect program
- ii.75% -- Health effect program
- iii.90% -- Sports effect program
- iv.Target heart rate -- Self training heart rate value

REMARK

1. Please avoid to place the computer in humid place.



GARLANDO SPA
Via Regione Piemonte, 32 - Zona Industriale D1
15068 - Pozzolo Formigaro (AL) - Italy
contact@toorxprofessional.it
www.toorxprofessional.it