

**TCORX**  
PROFESSIONAL LINE

# INSTRUCTION



**WLX6000**  
**MULTIPOWER**

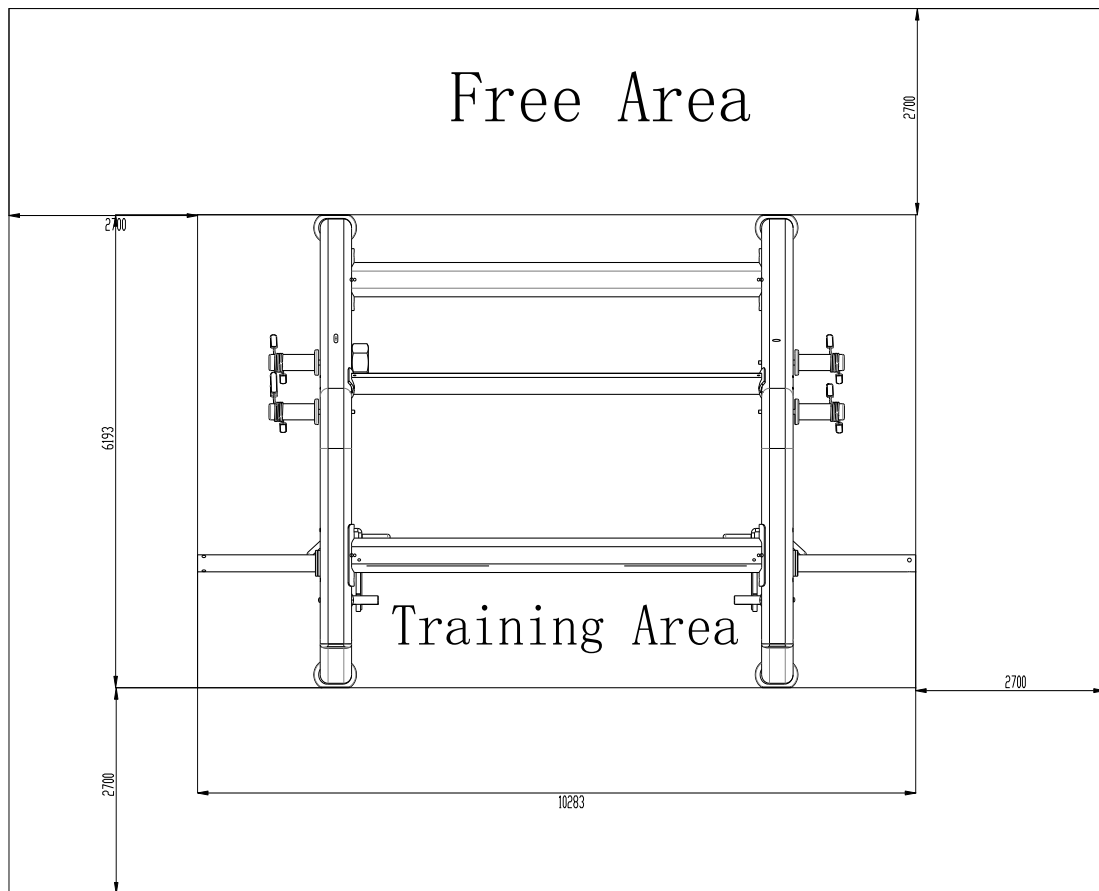


Cod : GRLDTCORXWLX6000

Rev : 00

Ed : 06/18

## Training Area and Free Area



## Specifications

Class: S

Maximum Wt. Capacity: 200kg/440IBS

Maximum User Weight: 135kg/297IBS

Product Total Surface: 1468\*600

Product Total Mass: 190kg/418IBS

## REGULAR MAINTENANCE

1. The safety level of the equipment can be maintained only if it is examined regularly for damage and wear, e.g. ropes, pulleys, connection points;
2. Pay special attention to components most susceptible to wear.
3. Replace defective components immediately and /or keep the equipment out of use until repair;
4. This equipment should carry on regular maintenance according to the following chart:

MAINTENANCE	EVERYDAY	EVERY WEEK	THREE MONTHS
Check: connecting, bolt, Weight stack bolt	√		
Clearance: cushion and cover	√		
Lubrication: place of sliding			√
Check: bolt if tighten		√	
Lubrication: Bracket of bearing			√

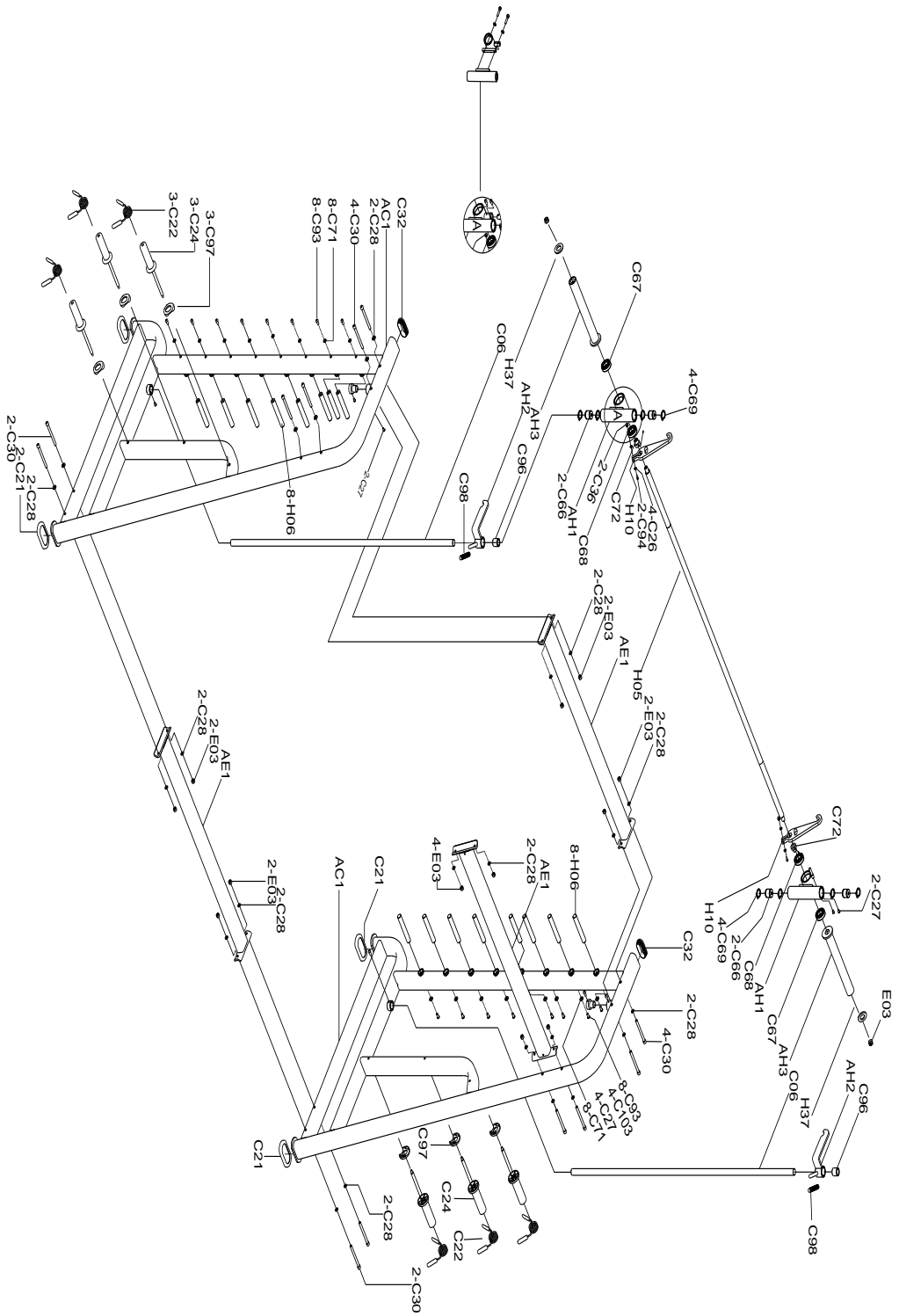
## INSTALL SKETCH MAP

Let assembly become easier

All the content of user's manual is to assured the strength training machine can be installed more easily

Reading the details and instructions before installing:

1. Because the size and weight of equipment is so large, Please choose the installed place near the desired station and assured there is enough space to exercise
2. All parts can be put on the clear area, then backout the wrapper. And the wrapper can't be through away before installation finished.
3. Screw the bolt tightly except the additional instruction
4. All parts must be installed according the illustration indication.
5. Installation work can be finished by tow men
6. Identify all parts by part identify chart

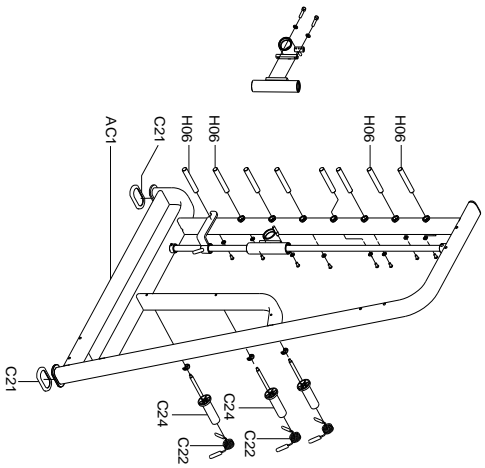
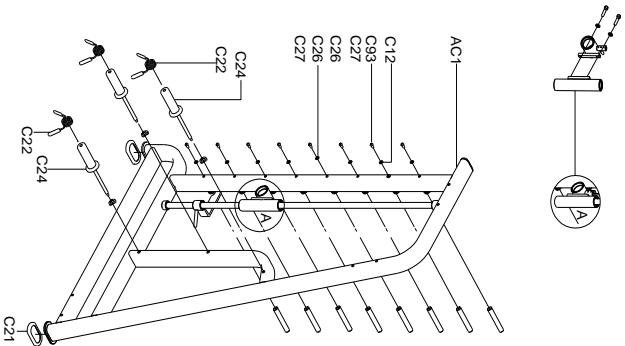


## **Assembly Step:**

### **Use tool:**

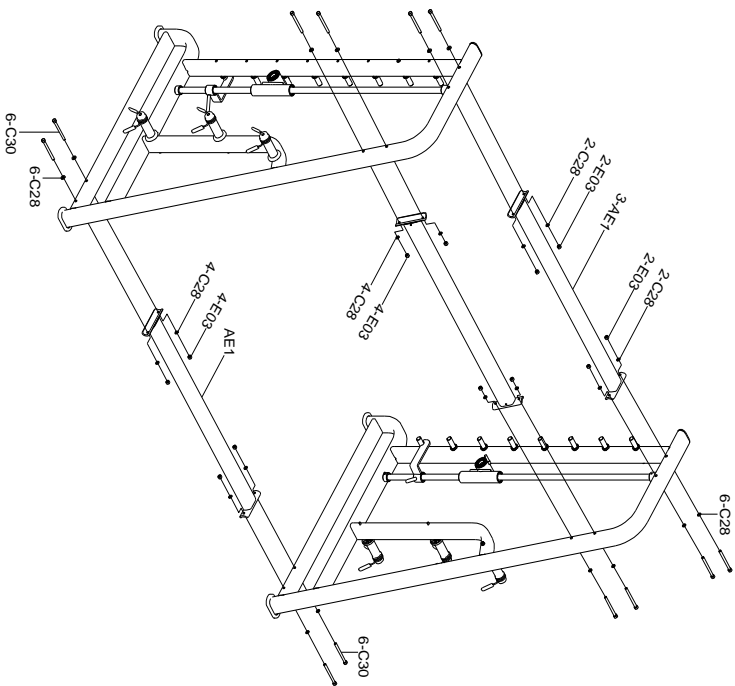
- 1. M6 Hex spanner**
- 2. M10 Hex spanner**
- 3. Two 13-16 spanner**
- 4. Two 17-19 spanner**

# Step 1



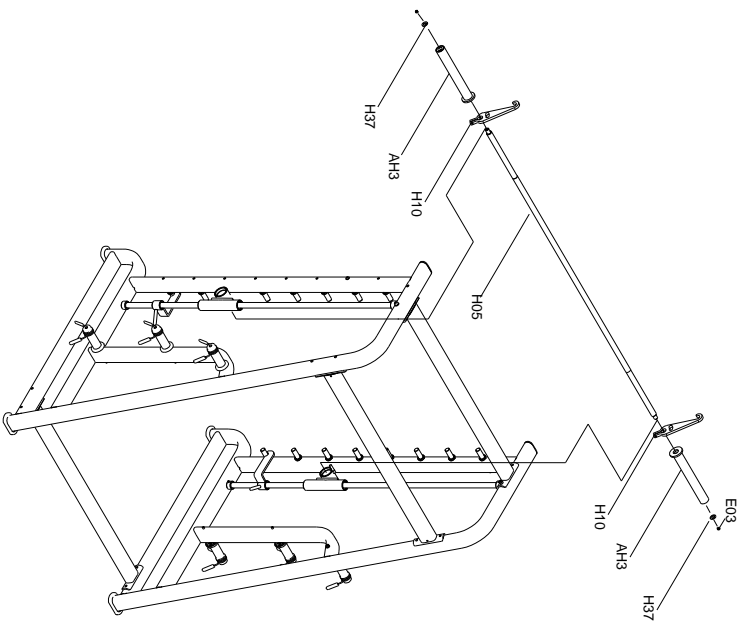
NO.	Name	Spec	Qty
AC1	main frame welding group		1
C21	flat elliptical plug	φ 80*130	4
C22	plating mat		6
C24	plastic plate holder	A9-006	6
C93	outer hexagon screw	M10*1.5P-20L	16
H06	plated axial	φ 25*160L	16
C12	flat gasket	φ 11* φ 20*2t	16

# Step2



NO.	Name	Spec	Qty
AE1	connection support welding group		3
E3	lock nut	M12*1.75P	12
C28	flat gasket	φ 13.5* φ 24*12.5	16
C30	outer hexagon screw	M12*1.75P-130L牙40L	12

# Steps3



NO.	Name	Spec	Qty
H10	safety hook	290.5*70.6*14T	2
H05	roller	φ 30*2260L	1
E3	lock nut	M12*1.75P	2
AH3	plate holder welding group		2





GARLANDO SPA  
Via Regione Piemonte, 32 - Zona Industriale D1  
15068 - Pozzolo Formigaro (AL) - Italy  
[www.toorx.it](http://www.toorx.it) - [info@toorx.it](mailto:info@toorx.it)