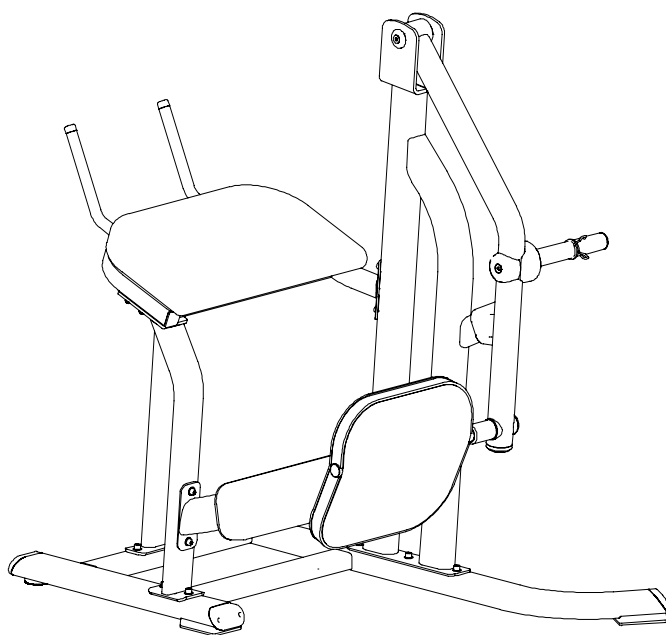


TOORX
PROFESSIONAL LINE

INSTRUCTION



REAR KICK

FWX 9600



Cod : GRLDTOORXFWX9600

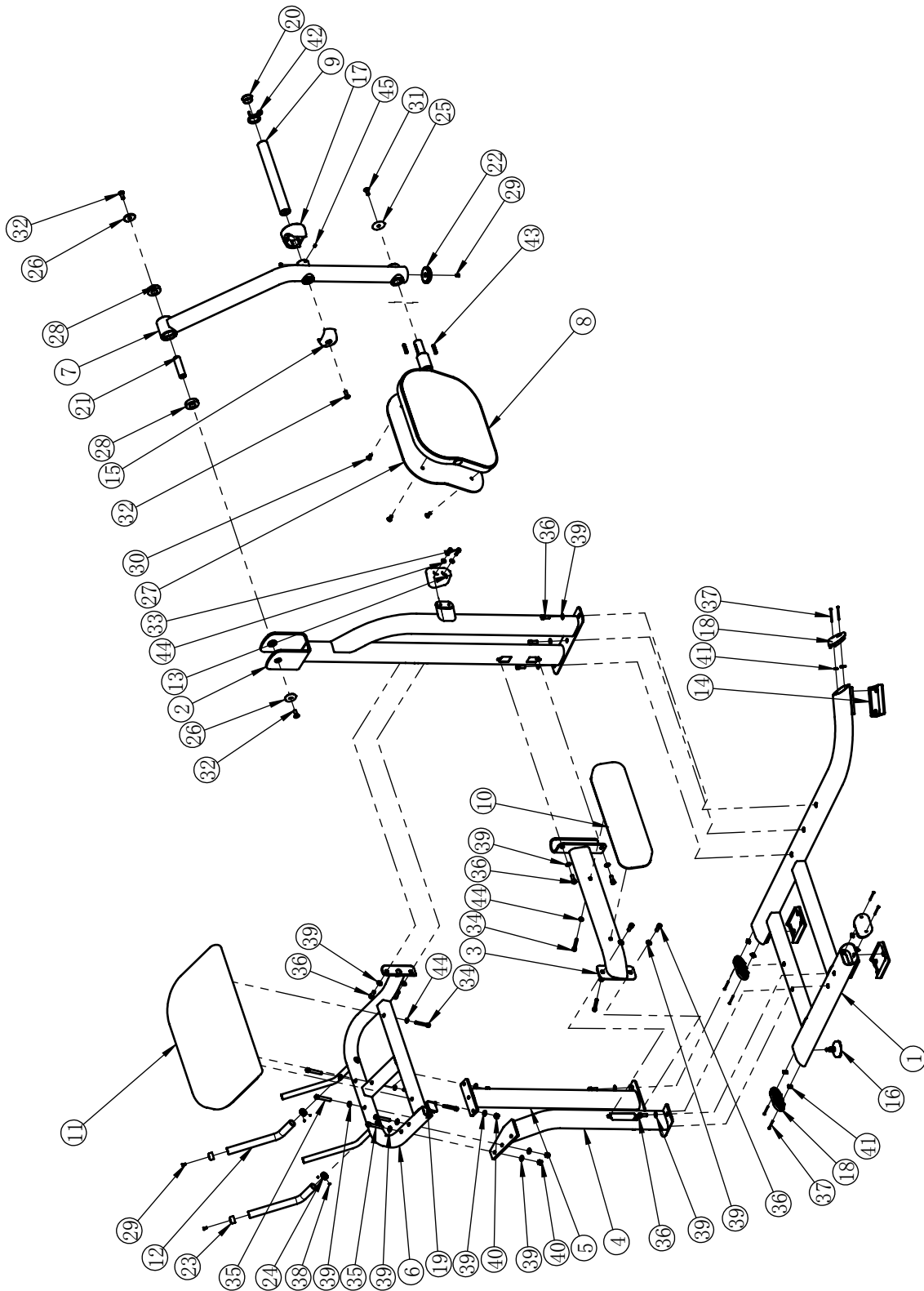
Rev : 00

Ed : 01/24

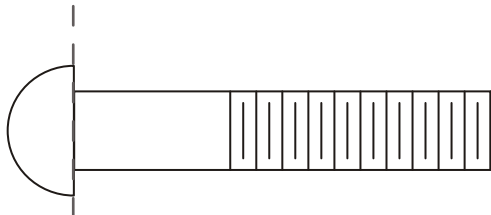
Exploded View and Parts List

ITEM NO.	DESCRIPTION	QTY	ITEM NO.	DESCRIPTION	QTY
1	Bottom Frame	1	24	Aluminium Ring ϕ 25	2
2	upright frame	1	25	Aluminium Cap	1
3	Leg Pad Frame	1	26	Aluminium Cap	2
4	Left Upright Frame	1	27	Aluminium Plate	1
5	Front Standing Frame	1	28	Ball Bearing	2
6	Arm Pad Frame	1	29	Flat Head Cap Screw M6*16	3
7	Arm frame	1	30	Flat Head Cap Screw M10*25	4
8	Footplate Frame	1	31	Flat Head Cap Screw M12*30	1
9	Weight Horns	1	32	Flat Head Cap Screw M12*35	1
10	Leg Pad	1	33	Socket Head Cap Screw M10*30	2
11	Arm Pad	1	34	Socket Head Cap Screw M10*75	5
12	Grip	2	35	Socket Head Cap Screw M12*80	4
13	Plastic Sleeve	1	36	Cross Recessed Head Screws With Tapping Screw Thread ST4.2*60	8
14	Rubber Foot	3	37	Socket Head Cap Screw M12*30	13
15	Safety Bush Assembly	1	38	Socket Set Screw M5*3	4
16	Safety Bush Assembly	1	39	Flat Washer ϕ 13* ϕ 24*1.5	21
17	Inside Rubber Bumper	1	40	Nylon lock Nut M12	4
18	Plug RT60*120	4	41	lock Nut 20*13*4.5* ϕ 3.5	8
19	Plug \square 50	1	42	Snap Spring	1
20	Plug ϕ 48	1	43	parallel key	1
21	Arm Frame Pivot Shaft	1	44	Flat Washer ϕ 20* ϕ 11*2	5
22	Aluminum End Cap ϕ 76*17.6	1	45	Socket Set Screw M8*10	2
23	Aluminium Cap ϕ 25	2			

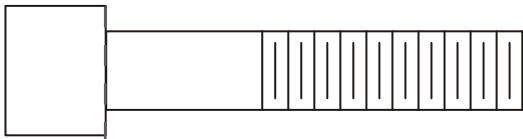
Exploded View and Parts List



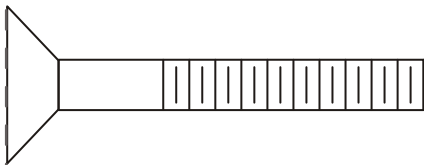
Measurement Guide



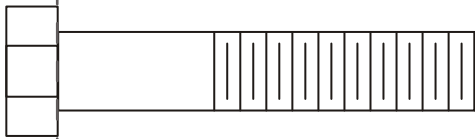
BHCS = Button Head Cap Screw



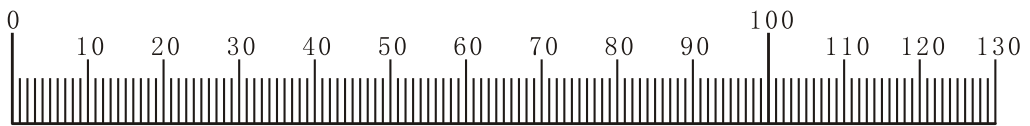
SHCS = Socket Head Cap Screw



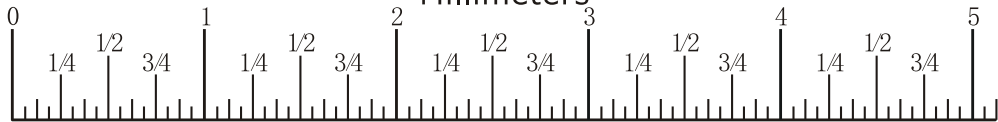
FHCS = Flat Head Cap Screw



HHB = Hex Head Bolt



Millimeters

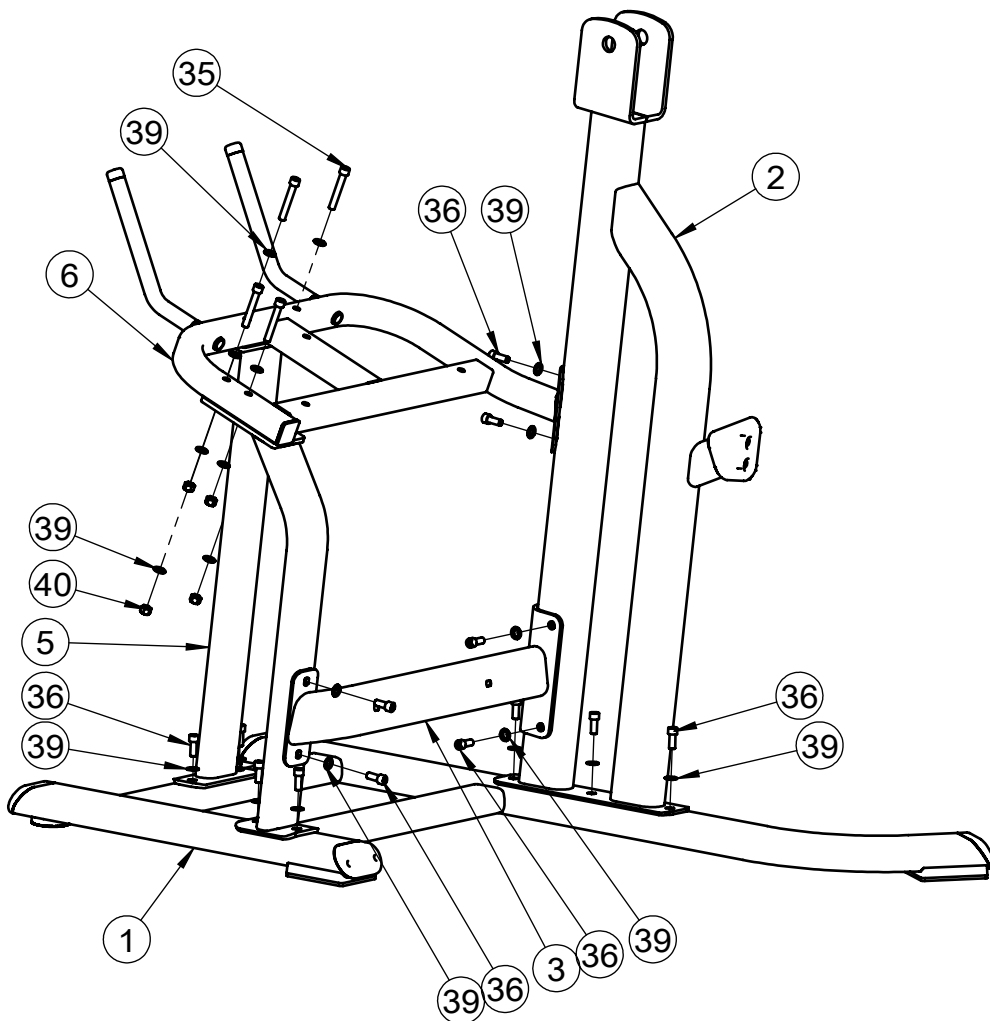


Inches

Assembly

STEP 1

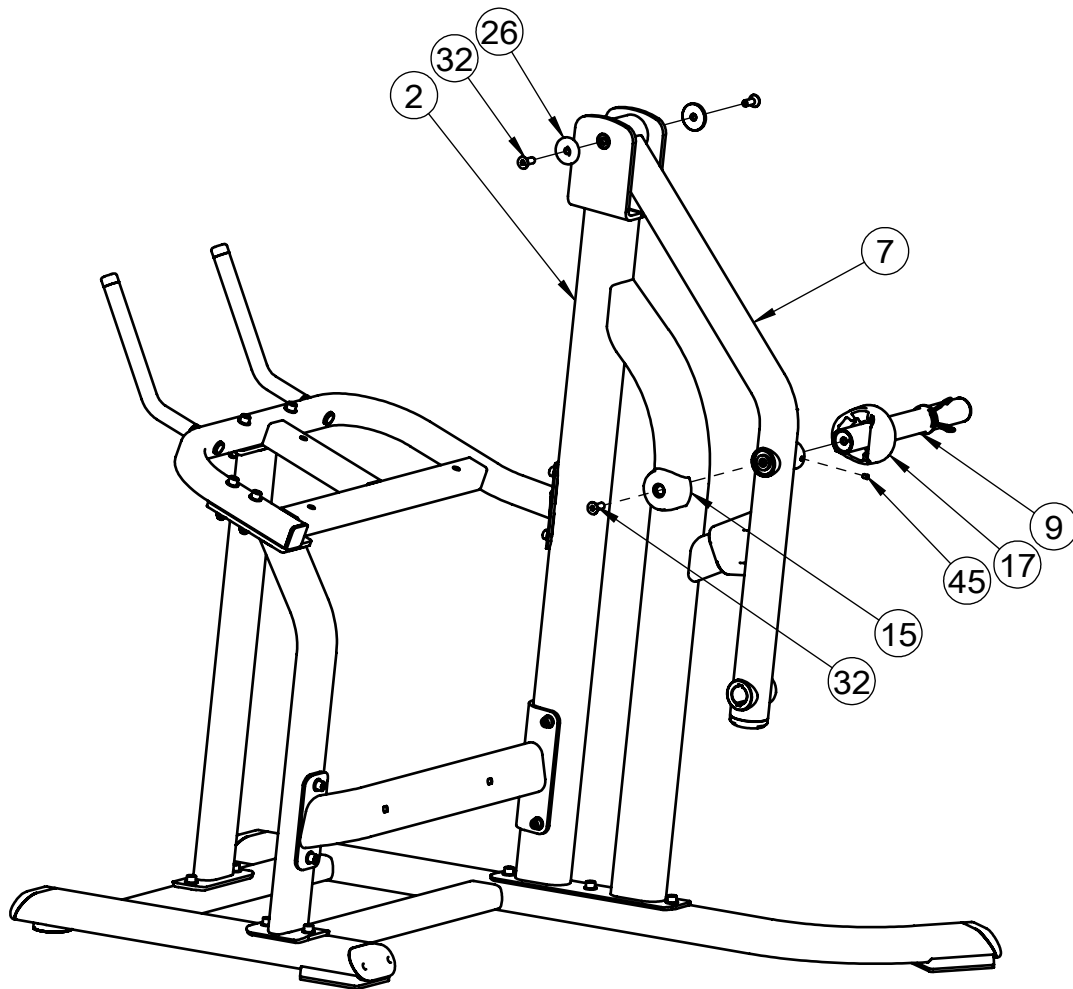
ITEM NO.	DESCRIPTION	QTY
1	Bottom Frame	1
2	upright frame	1
3	Leg Pad Frame	1
5	Front Standing Frame	1
6	Arm Pad Frame	1
35	Socket Head Cap Screw M12*80	2
36	Cross Recessed Head Screws With Tapping Screw Thread ST4.2*60	13
39	Flat Washer $\phi 13*\phi 24*1.5$	21
40	Nylon lock Nut M12	4



Assembly

STEP 2

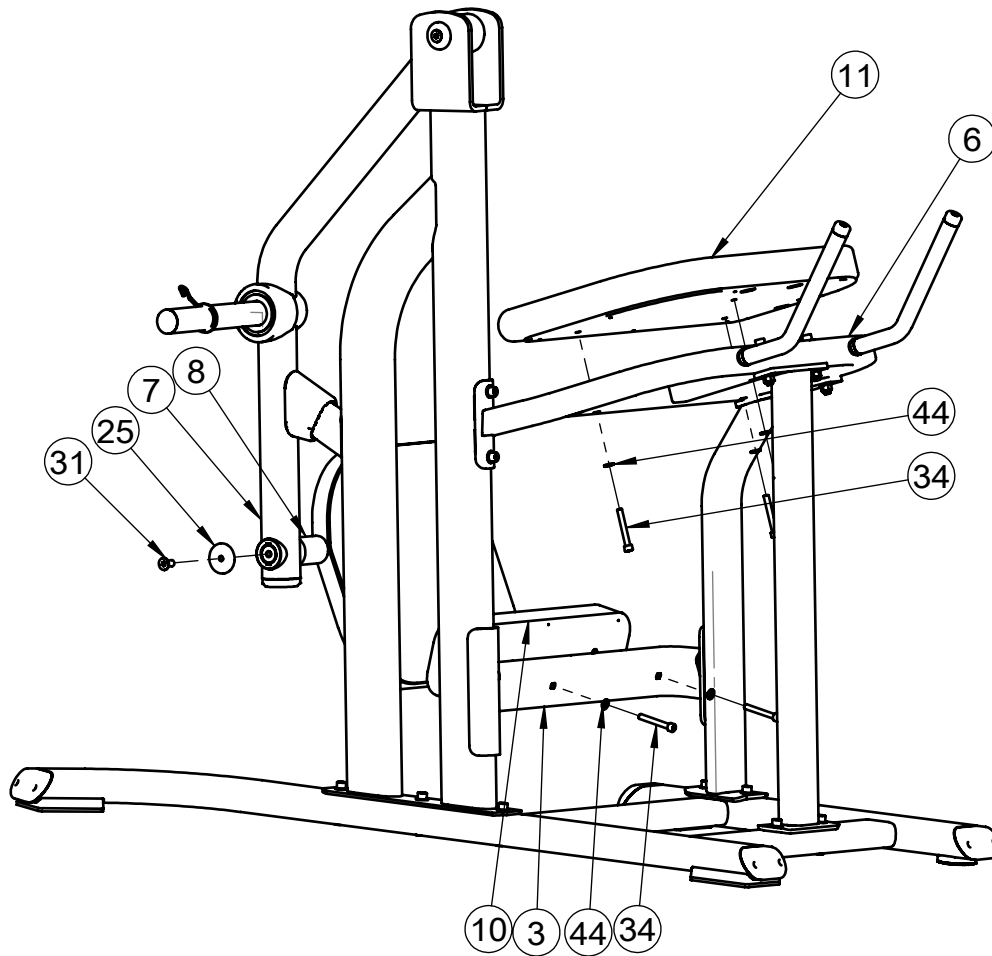
ITEM NO.	DESCRIPTION	QTY
2	upright frame	1
7	Arm frame	1
9	Weight Horns	1
15	Safety Bush Assembly	1
17	Inside Rubber Bumper	1
26	Aluminium Cap	2
32	Flat Head Cap Screw M12*35	3
45	Socket Set Screw M8*10	2



Assembly

STEP 3

ITEM NO.	DESCRIPTION	QTY
3	Leg Pad Frame	1
6	Arm Pad Frame	1
7	Arm frame	1
8	Footplate Frame	1
10	Leg Pad	1
11	Arm Pad	1
25	Aluminium Cap	1
31	Flat Head Cap Screw M12*30	3
34	Socket Head Cap Screw M10*75	5
44	Flat Washer $\phi 20 * \phi 11 * 2$	5



General Maintenance Information

Links, Pull-Pins, Snap Hooks, Swivels, Weight Stack Pins:

- * Check all pieces for signs of visible wear or damage.
- * Check springs in snap hooks and pull-pins for proper tension and alignment.
- * If the spring sticks or has lost its rigidity, replace it immediately.

Upholstery:

- * To ensure prolonged upholstery life and proper hygiene, all upholstered pads should be wiped down with a damp cloth after every workout.
- * Periodically take the time to use a mild soap or an approved vinyl upholstery cleaner to deter the onset of cracking or drying. Avoid using any abrasive cleaners or cleaners not intended for use on vinyl.
- * Replace ripped or worn upholstery immediately.
- * Keep sharp or pointed objects clear of all upholstery.

Decals:

- * Inspect and familiarize yourself with any safety warnings or other user information posted on each decal.

Nuts and Bolts:

- * Inspect all nuts and bolts for any loosening and tighten if needed.
- * Go through a re-tightening sequence periodically to ensure that all hardware is tensioned proper.

Anti-Skid Surfaces:

- * These surfaces are designed to supply secure footing and need to be replaced if they appear worn or become slippery.

Belts and Cables:

- * We use only high quality belt, and mil-spec cables.
- * Visually inspect the belts and cables for fraying, cracking, peeling or discoloration.
- * While the machine is not in use, carefully run your fingers along the belt or cable to feel for thinning or bulging areas.
- * Replace belts and cables immediately at the first signs of damage or wear. Do not use equipment until belts or cables have been replaced.

Belt and Cable Tension:

- * Referring to the Owners Manual, when belts or cables are used check all bolts attachments to be sure they are properly attached.
- * Check slack in cables and re-adjust cable tension if needed.

Seat Sleeves, Guide Rods:

- * Wipe down adjusting tubes with a dust free rag before applying lubricant.
- * Lubricate seat sleeves and Guide Rods with a Silicon or Teflon based lubricant spray.

Linear Bearings:

- * Referring to the Owners Manual carefully disassemble the bearing from its housing and place a finger full of light grease (lithium, super lube, etc.) into the inside of the bearing. Using your finger, press the grease into the ball-bearings and their tracks. Repeat until the ball-bearing tracks are full of grease. Insert the shaft back into the bearing and wipe off excess grease.

PLEASE KEEP THIS FOR YOUR RECORDS



GARLANDO SPA
Via Regione Piemonte, 32 - Zona Industriale D1
15068 - Pozzolo Formigaro (AL) - Italy
contact@toorxprofessional.it
www.toorxprofessional.it